
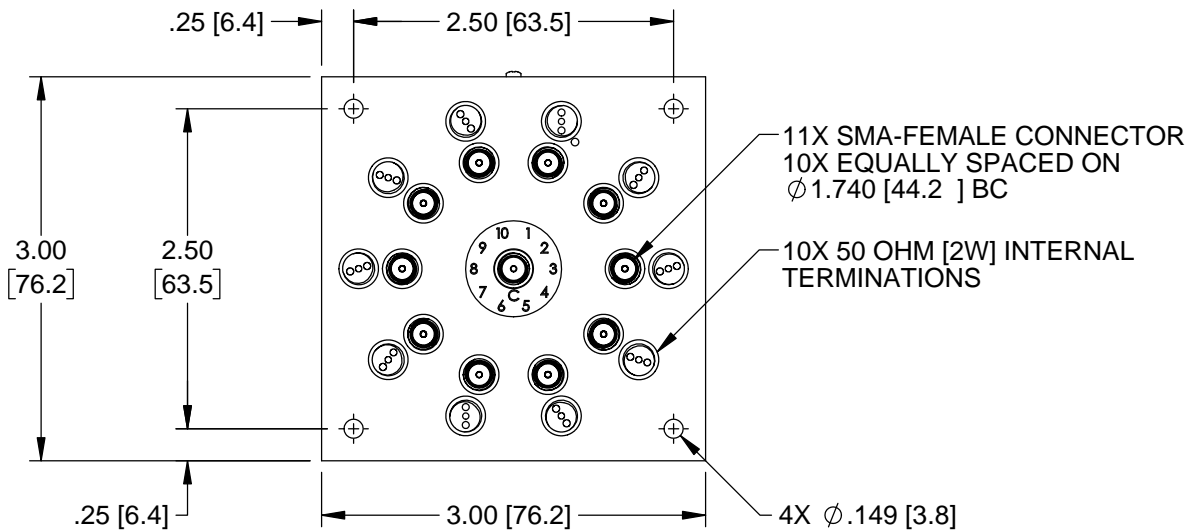
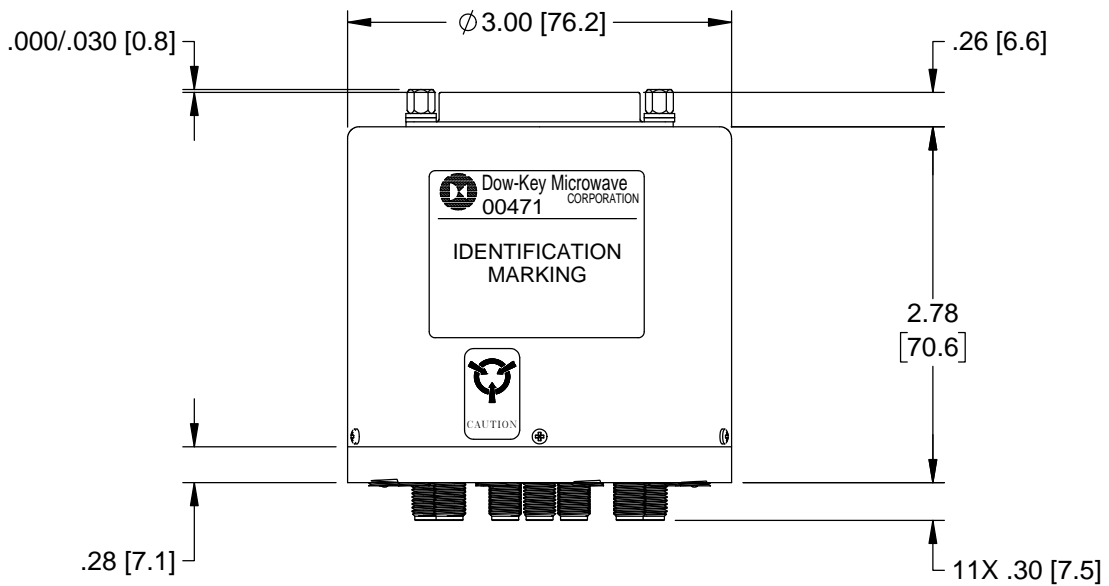
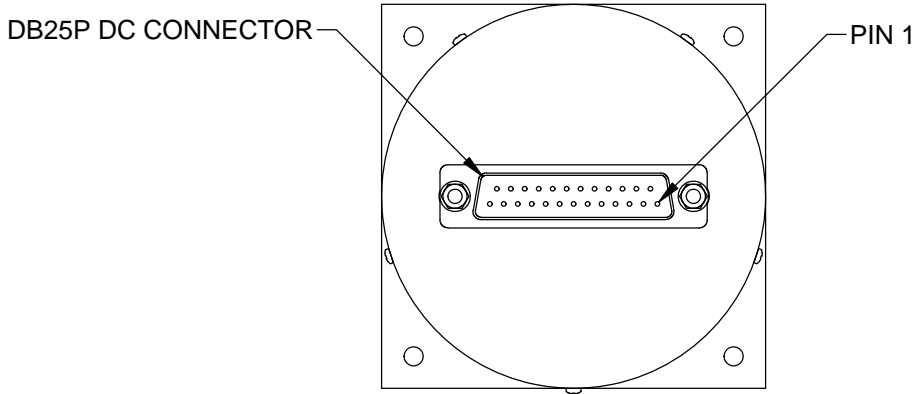


REVISIONS			
REV.	DESCRIPTION	DATE	APPROVED
A	PRODUCTION RELEASE	1/27/05	J.S.
B	REVISED PER ECO 11822	2/12/18	K.R.

Nominal Coil Voltage	Part Number
12 Vdc	5A1J-420823A
15 Vdc	5A1J-490823A
24 Vdc	5A1J-480823A
28 Vdc	5A1J-430823A

APPROVALS	DATE	 DowKey[®] Microwave CORPORATION <small>A DOVER TECHNOLOGIES COMPANY</small>	4822 McGrath Street Ventura, CA. 93003-5641 PH: (805) 650-0260 FAX: (805) 650-1734
DRAWN			
ENGINEERING			
QUALITY			
MANUFACTURING			
SARA LEE	02/02/18	SW, SP10T, LATCHING SELF CUT-OFF, 5V CONTROL SMA-FEMALE CONNECTORS, INDICATORS 50 OHM [2W] TERMINATIONS, DB25P DC CONN	
T. STRASBURGER	2/6/2018		
S. LYNCH	2/8/2018		
R. GARCIA	2/8/2018		
		CODE IDENT. NO.	DWG. NO.
		00471	5A1J-4X0823A
		SCALE NONE	SHEET 1 OF 3

OUTLINE DRAWING:



[] MILLIMETERS

UNLESS OTHERWISE SPECIFIED TOLERANCES ARE: .XXX ±.010 ANGLES: ±3° .XX ±.030	CODE IDENT. NO. 00471	DWG. NO. 5A1J-4X0823A	REV. B
	SCALE NONE	SHEET 2 OF 3	

SPECIFICATION:

1.0 RF CHARACTERISTICS:

1.1 FREQUENCY (GHz)	DC - 4	4 - 8	8 - 12.4	12.4 - 18
1.2 VSWR (RATIO MAX)	1.20:1	1.30:1	1.40:1	1.60:1
1.3 INSERTION LOSS (dB MAX)	0.20	0.30	0.40	0.60
1.4 ISOLATION (dB MIN)	70	65	60	55
1.5 RF POWER (WATTS CW MAX) AT SEA LEVEL, +40°C, LOAD VSWR 1:1	125	90	75	60
1.6 IMPEDANCE (NOMINAL)	50 OHMS			

2.0 ACTUATION DATA:

2.1	NOMINAL VOLTAGE	OPERATING VOLTAGE	CURRENT (NOMINAL) @ NOMINAL VOLTAGE & 25°C
	12	11-14	415mA
	15	13-17	330mA
	24	20-28	210mA
	28	24-32	180mA

2.2 SWITCHING TIME 15mS MAX
2.3 OPERATING MODE LATCHING SELF CUT-OFF

3.0 MECHANICAL:

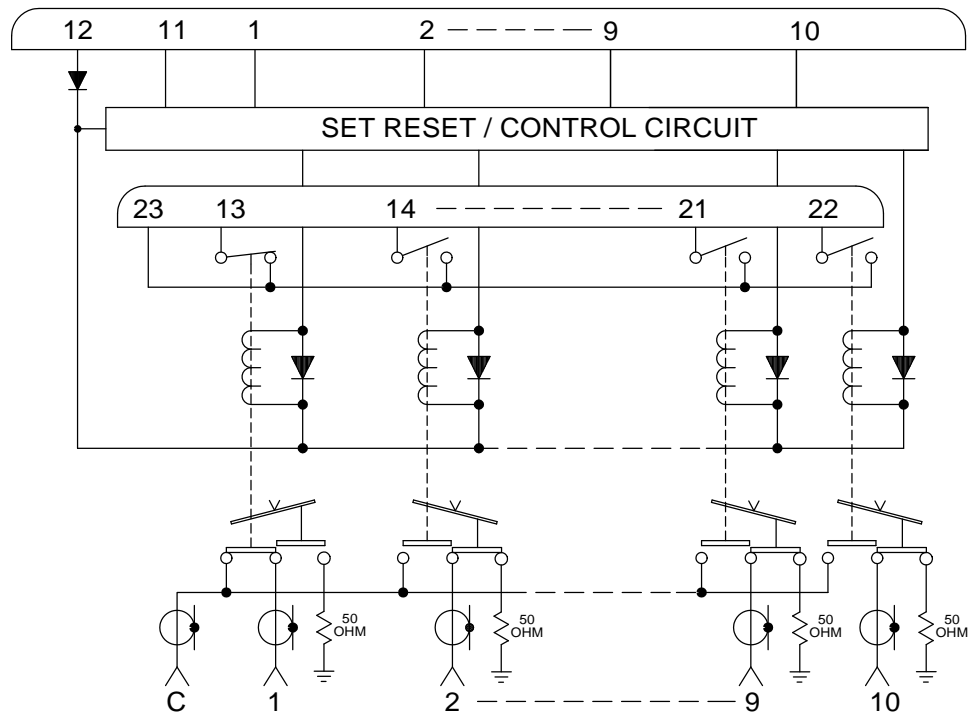
3.1 CONTACT ARRANGEMENT SP10T
3.2 RF CONTACTS BREAK BEFORE MAKE
3.3 WEIGHT 14.3oz (405g) NOMINAL
3.4 DESIGN LIFE 1,000,000 CYCLES MINIMUM

4.0 ENVIRONMENTAL:

4.1 OPERATING TEMPERATURE -25°C TO +65°C
4.2 STORAGE TEMPERATURE -55°C TO +85°C
4.3 SEAL: SAND AND DUST

SCHEMATIC:

DB25P DC CONNECTOR	
PIN NO	FUNCTION
1	LOGIC POS 1
2	LOGIC POS 2
3	LOGIC POS 3
4	LOGIC POS 4
5	LOGIC POS 5
6	LOGIC POS 6
7	LOGIC POS 7
8	LOGIC POS 8
9	LOGIC POS 9
10	LOGIC POS 10
11	- COM
12	+ VDC
13	IND POS 1
14	IND POS 2
15	IND POS 3
16	IND POS 4
17	IND POS 5
18	IND POS 6
19	IND POS 7
20	IND POS 8
21	IND POS 9
22	IND POS 10
23	IND COM
24, 25	NO CONNECT



LOGIC HI (ON) 1 = 2.4-5.5Vdc
LOGIC LO (OFF) 0 = 0-0.8Vdc

CODE IDENT. NO. 00471	DWG. NO. 5A1J-4X0823A	REV. B
SCALE NONE	SHEET 3 OF 3	