
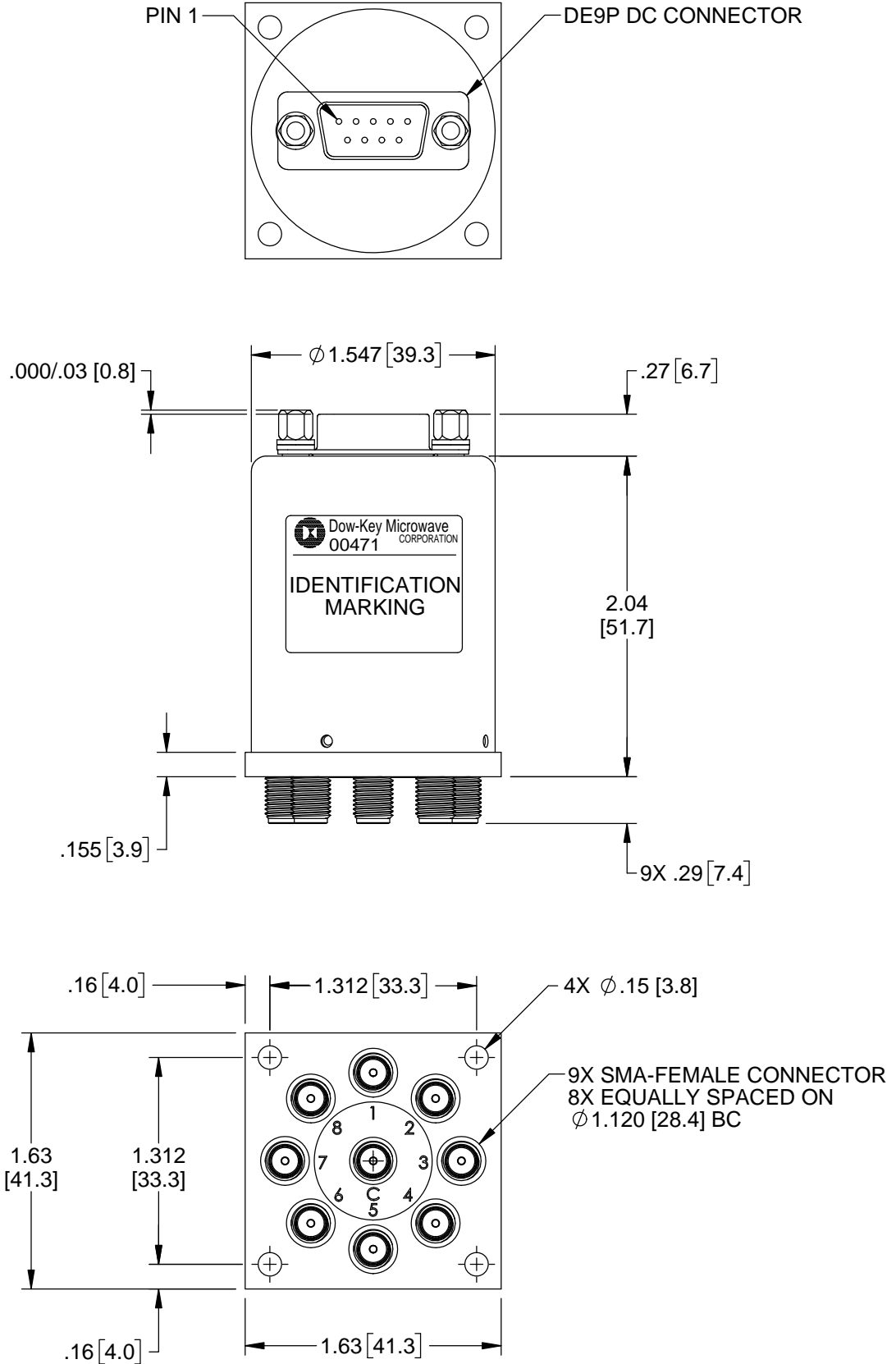


REVISIONS			
REV.	DESCRIPTION	DATE	APPROVED
A	PRODUCTION RELEASE	6/27/02	J.S.
B	REVISED PER ECO 11940	7/10/18	K.R.

Nominal Coil Voltage	Part Number
12 Vdc	581J-5208
15 Vdc	581J-5908
24 Vdc	581J-5808
28 Vdc	581J-5308

APPROVALS	DATE	 <b>DowKey<sup>®</sup> Microwave</b> CORPORATION <small>A JOVEK TECHNOLOGIES COMPANY</small>	4822 McGrath Street Ventura, CA. 93003-5641 PH: (805) 650-0260 FAX: (805) 650-1734	
DRAWN SARA LEE	6/20/18		<b>SWITCH, SP8T, NORMALLY OPEN SMA-FEMALE CONNECTORS DE9P DC CONNECTOR</b>	
ENGINEERING G. NICKLAUS	7/3/2018	CODE IDENT. NO. <b>00471</b>		
QUALITY S. LYNCH	7/9/2018	SCALE	NONE	SHEET 1 OF 3
MANUFACTURING D. LOGUE	7/9/2018			

# OUTLINE DRAWING:



[ ] MILLIMETERS

UNLESS OTHERWISE SPECIFIED TOLERANCES ARE: .XXX $\pm .010$ ANGLES: $\pm 3^\circ$ .XX $\pm .030$	CODE IDENT. NO. <b>00471</b>	DWG. NO. <b>581J-5X08</b>	REV. <b>B</b>
	SCALE NONE	SHEET 2 OF 3	

# SPECIFICATION:

## 1.0 RF CHARACTERISTICS:

1.1 FREQUENCY (GHz)	DC - 4	4 - 8	8 - 12.4	12.4 - 18
1.2 VSWR (RATIO MAX)	1.20:1	1.30:1	1.40:1	1.50:1
1.3 INSERTION LOSS (dB MAX)	0.20	0.30	0.40	0.50
1.4 ISOLATION (dB MIN)	75	65	60	60
1.5 RF POWER (WATTS CW MAX) AT SEA LEVEL, +40°C, LOAD VSWR 1:1	125	90	75	60
1.6 IMPEDANCE (NOMINAL)	50 OHMS			

## 2.0 ACTUATION DATA:

2.1	NOMINAL VOLTAGE	OPERATING VOLTAGE	CURRENT (NOMINAL) @ NOMINAL VOLTAGE & 25°C
	12	11-14	285mA
	15	13-17	225mA
	24	20-28	140mA
	28	24-32	120mA

2.2 SWITCHING TIME 15mS MAX  
2.3 OPERATING MODE NORMALLY OPEN

## 3.0 MECHANICAL:

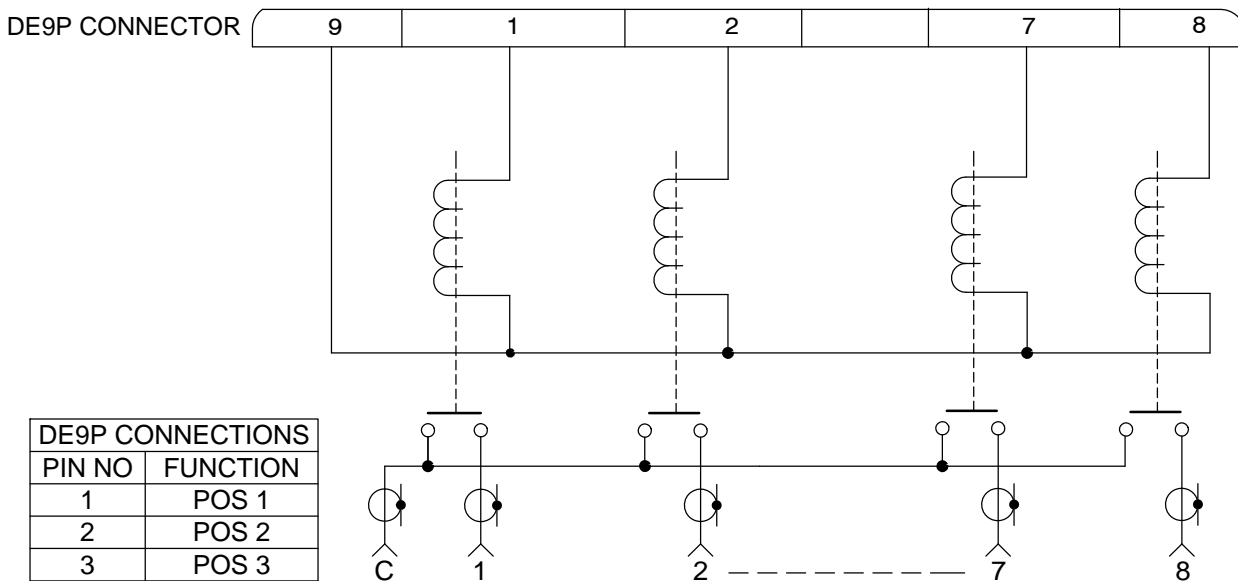
3.1 CONTACT ARRANGEMENT SP8T  
3.2 RF CONTACTS BREAK BEFORE MAKE  
3.3 WEIGHT 5.0oz (142g) NOMINAL  
3.4 DESIGN LIFE 1,000,000 CYCLES MINIMUM

## 4.0 ENVIRONMENTAL:

4.1 OPERATING TEMPERATURE -25°C TO +65°C  
4.2 STORAGE TEMPERATURE -55°C TO +85°C  
4.3 SEAL: SAND AND DUST

# SCHEMATIC:

NOT POLARITY SENSITIVE



DE9P CONNECTIONS	
PIN NO	FUNCTION
1	POS 1
2	POS 2
3	POS 3
4	POS 4
5	POS 5
6	POS 6
7	POS 7
8	POS 8
9	COMMON

SWITCH SHOWN IN THE DE-ENERGIZED POSITION

CODE IDENT. NO. <b>00471</b>	DWG. NO. <b>581J-5X08</b>	REV. <b>B</b>
SCALE NONE	SHEET 3 OF 3	