

## RF Characteristics

Frequency GHz	VSWR (max)	Isolation dB (min)	Ins. Loss dB (max)
DC-4	1.20	80	0.20
4-8	1.30	70	0.30
8-12.4	1.40	65	0.40
12.4-18	1.50	60	0.50
*18-26.5	1.80	55	0.80

\* Performance varies depending on selected options



- DC-18 GHz
- DC-26.5 GHz
- Low/Medium Power
- 1M Life Cycles

## Specifications

### Operating Voltage:

- 12 Vdc (11-14 Vdc)
- 24 Vdc (20-28 Vdc)
- 28 Vdc (24-32 Vdc)

### Coil Current (max. @ nom. Vdc & 25°C)\*:

- 12 Vdc 345 mA
- 24 Vdc 200 mA
- 28 Vdc 160 mA

### Switching Time:

15 ms maximum

### Operating Temperature:

- 25°C to +65°C (Standard)
- 55°C to +85°C (Extended "T" Option)

### Mechanical Life, Cycles:

1,000,000 minimum

### Vibration, Operating:

10G RMS, 20-2000 Hz

### Mechanical Shock, Non-Operating:

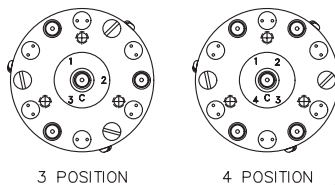
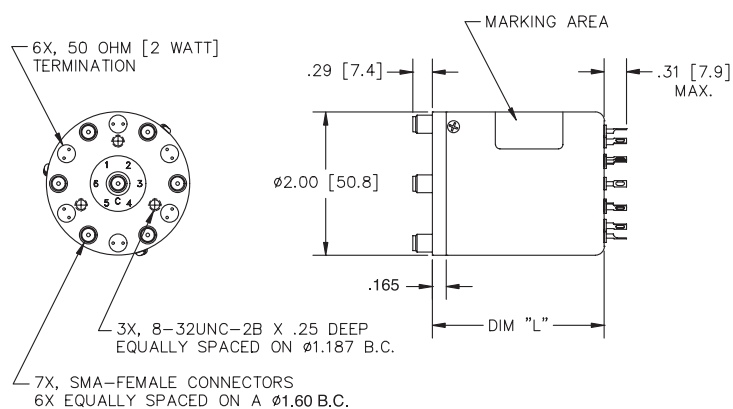
30G, 1/2 Sine, 11 ms

### Nominal Weight\*:

10.0 oz. (284 g.)

\* Performance and weight varies depending on selected options.

## Mechanical

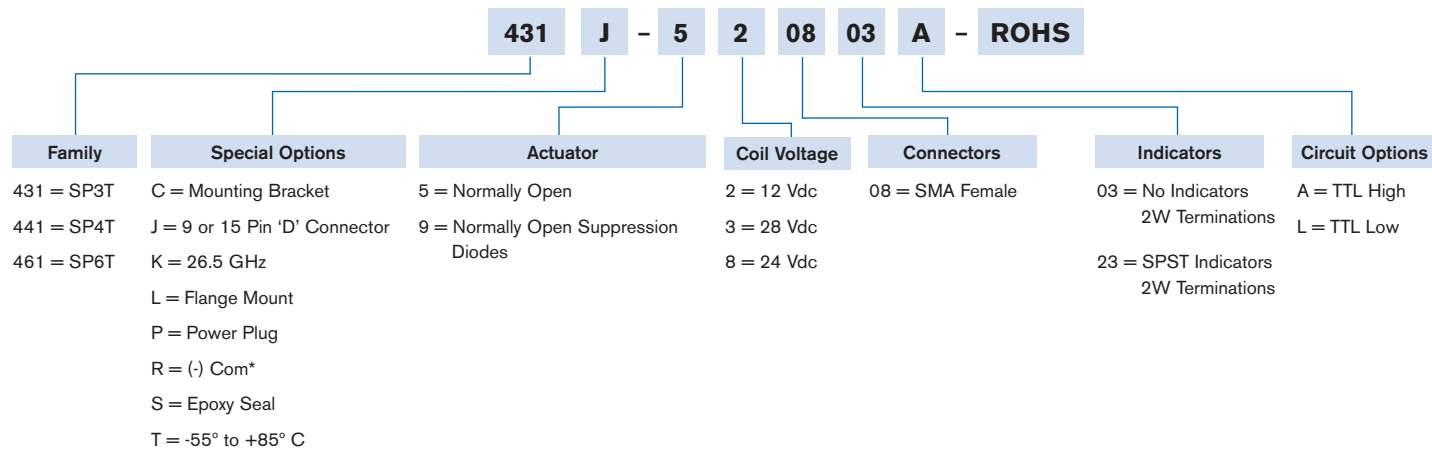


DIM "L" (MAX)	MODEL	ELEC. SCHEM.
2.70 [68.6]	4X1-5X0803	3
2.70 [68.6]	4X1-5X0823	3
2.70 [68.6]	4X1-5X0803A	4
3.00 [76.2]	4X1-5X0823A	4

461-530823 Shown

For Electrical Schematic, see page # 3-20

## Part Number Selector



\* Only available with Normally Open Suppression Diodes

TTL option includes suppression diode. Other options may be available and all combinations may not be possible. Please consult with factory.



- DC-18 GHz
- DC-26.5 GHz
- Low/Medium Power
- 1M Life Cycles

## RF Characteristics

Frequency GHz	VSWR (max)	Isolation dB (min)	Ins. Loss dB (max)
DC-4	1.20	80	0.20
4-8	1.30	75	0.30
8-12.4	1.40	70	0.40
12.4-18	1.50	60	0.50
*18-26.5	1.80	55	0.80

\* Performance varies depending on selected options

## Specifications

### Operating Voltage:

- 12 Vdc (11-14 Vdc)
- 24 Vdc (20-28 Vdc)
- 28 Vdc (24-32 Vdc)

### Coil Current (max. @ nom. Vdc & 25°C)\*:

- 12 Vdc 570 mA
- 24 Vdc 225 mA
- 28 Vdc 180 mA

### Switching Time:

15 ms maximum

### Operating Temperature:

- 25°C to +65°C (Standard)
- 55°C to +85°C (Extended "T" Option)

### Mechanical Life Cycles:

1,000,000 minimum

### Vibration, Operating:

10G RMS, 20-2000 Hz

### Mechanical Shock, Non-Operating:

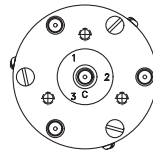
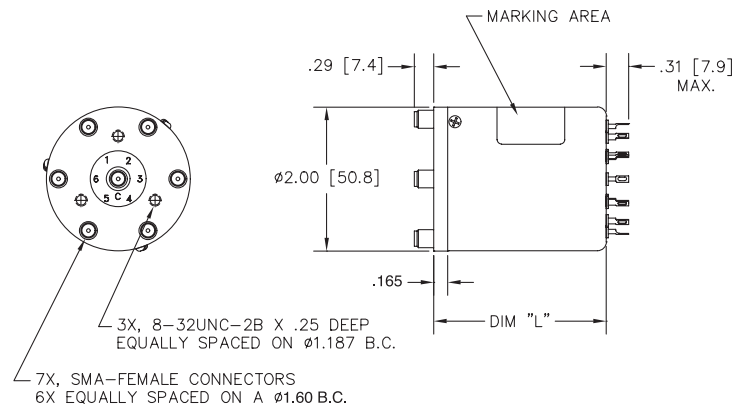
30G, 1/2 Sine, 11 ms

### Nominal Weight\*:

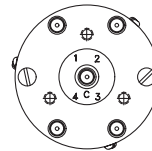
11.0 oz. (312 g.)

\* Performance and weight varies depending on selected options.

## Mechanical



3 POSITION



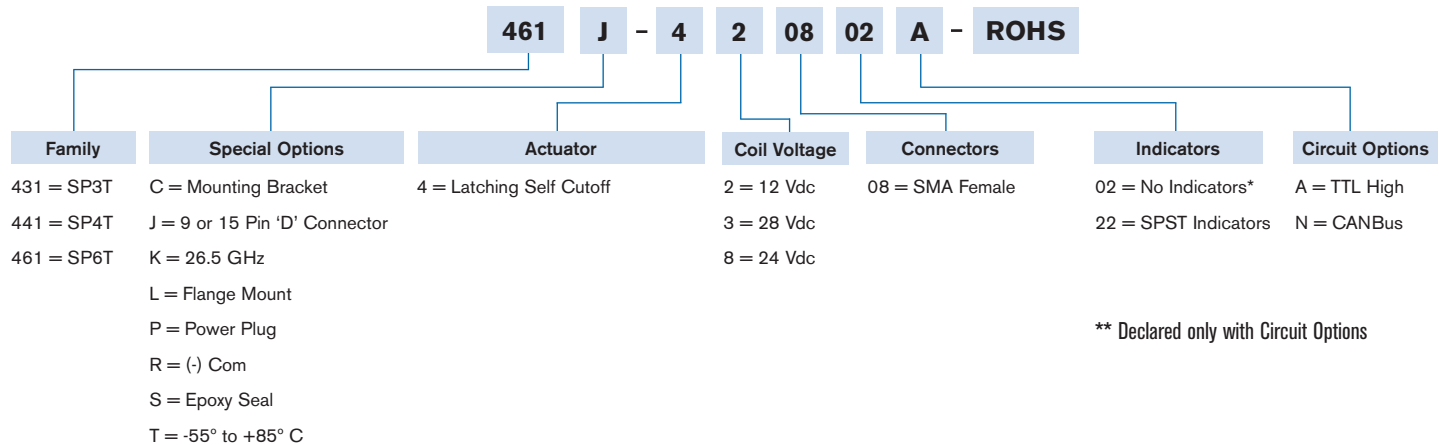
4 POSITION

DIM "L" (MAX)	MODEL	ELEC. SCHEM.
2.40 [61.0]	4X1-4X08	1
2.70 [68.6]	4X1-4X0822	1
3.00 [76.2]	4X1-4X0802A	2
3.00 [76.2]	4X1-4X0822A	2

461-430822 Shown

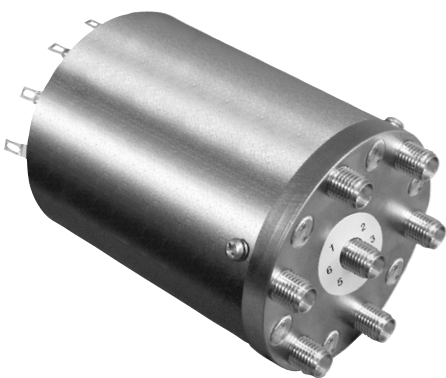
For Electrical Schematic, see page # 3-21

## Part Number Selector



\*\* Declared only with Circuit Options

TTL option includes suppression diode. Other options may be available and all combinations may not be possible. Please consult with factory.



- DC-18 GHz
- DC-26.5 GHz
- Low/Medium Power
- 1M Life Cycles

## RF Characteristics

Frequency GHz	VSWR (max)	Isolation dB (min)	Ins. Loss dB (max)
DC-4	1.20	80	0.20
4-8	1.30	75	0.30
8-12.4	1.40	70	0.40
12.4-18	1.50	60	0.50
*18-26.5	1.80	50	0.80

\*Performance varies depending on selected options

## Specifications

### Operating Voltage:

- 12 Vdc (11-14 Vdc)
- 24 Vdc (20-28 Vdc)
- 28 Vdc (24-32 Vdc)

### Coil Current (max. @ nom. Vdc & 25°C)\*:

- 12 Vdc 570 mA
- 24 Vdc 225 mA
- 28 Vdc 180 mA

### Switching Time:

15 ms maximum

### Operating Temperature:

- 25°C to +65°C (Standard)
- 55°C to +85°C (Extended "T" Option)

### Mechanical Life, Cycles:

1,000,000 minimum

### Vibration, Operating:

10G RMS, 20-2000 Hz

### Mechanical Shock, Non-Operating:

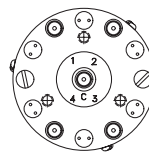
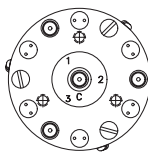
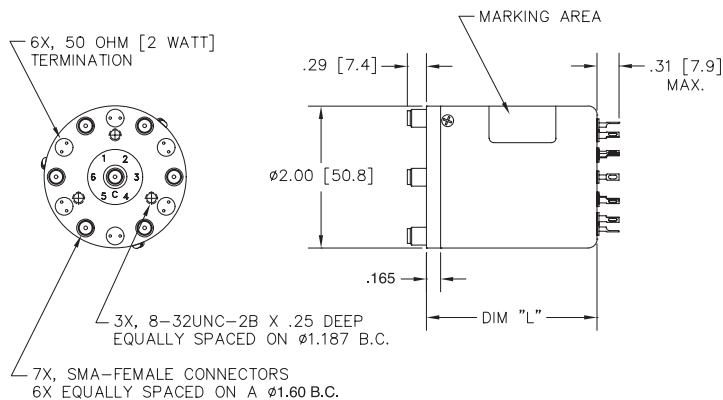
30G, 1/2 Sine, 11 ms

### Nominal Weight\*:

11.0 oz. (312 g.)

\* Performance and weight varies depending on selected options.

## Mechanical

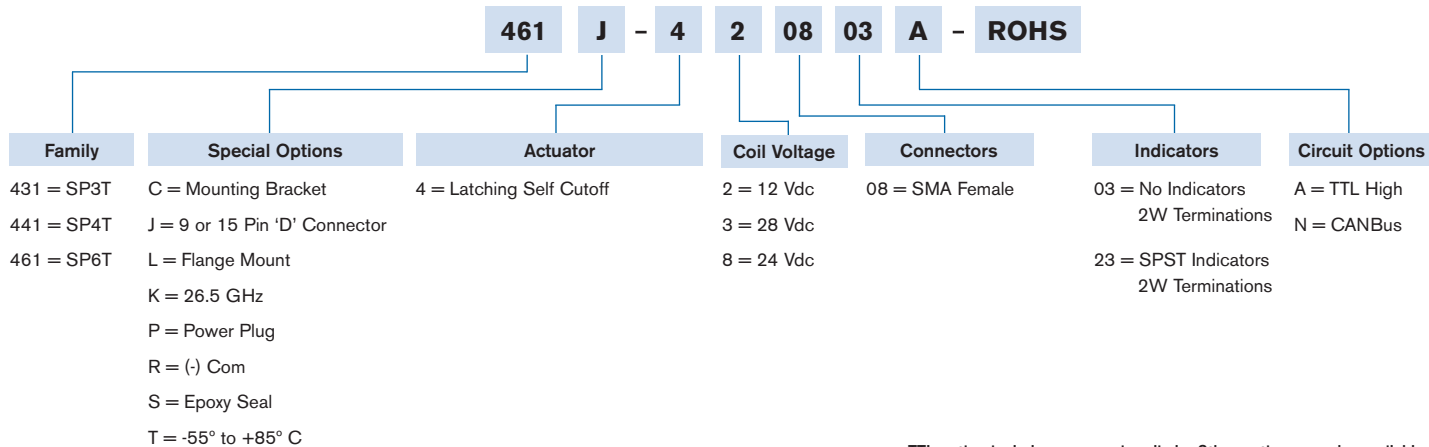


DIM "L" (MAX)	MODEL	ELEC. SCHEM.
2.40 [61.0]	4X1-4X0803	3
2.70 [68.6]	4X1-4X0823	3
3.00 [76.2]	4X1-4X0803A	4
3.00 [76.2]	4X1-4X0823A	4

461-430823 Shown

For Electrical Schematic, see page # 3-21

## Part Number Selector



TTL option includes suppression diode. Other options may be available and all combinations may not be possible. Please consult with factory.