
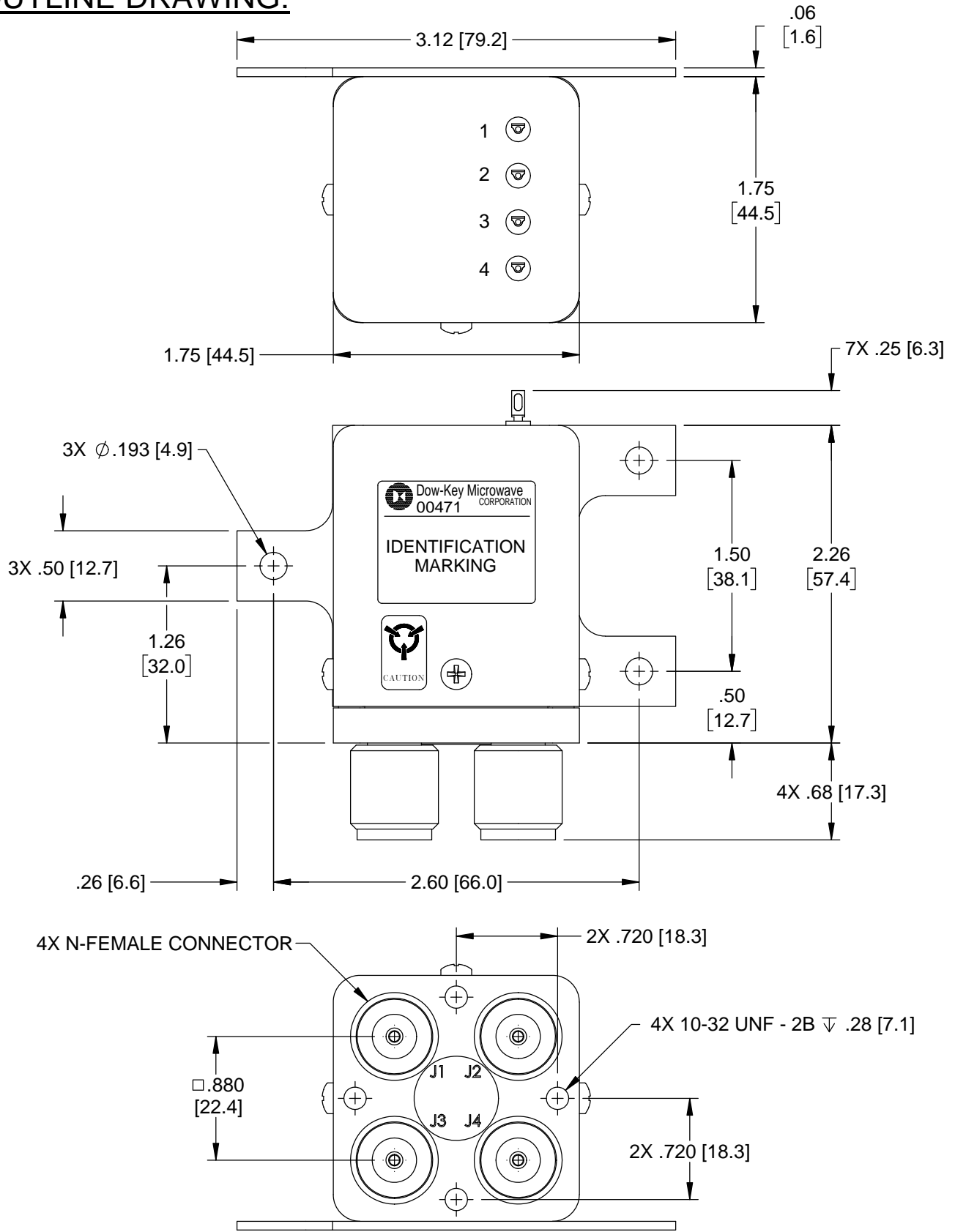


REVISIONS			
REV.	DESCRIPTION	DATE	APPROVED
C	REVISED AND REDRAWN PER ECO 10634	7/15/13	K.R.
D	REVISED PER ECO 11839	3/12/18	K.R.

Nominal Coil Voltage	Part Number
12 Vdc	412-4201
24 Vdc	412-4801
28 Vdc	412-4301

APPROVALS	DATE	 DowKey[®] Microwave CORPORATION <small>A DOVER TECHNOLOGIES COMPANY</small>	4822 McGrath Street Ventura, CA. 93003-5641 PH: (805) 650-0260 FAX: (805) 650-1734				
DRAWN SARA LEE	3/05/18		SWITCH, TRANSFER, LATCHING SELF CUT-OFF N-FEMALE CONNECTORS				
ENGINEERING T. STRASBURGER	3/7/2018						
QUALITY S. LYNCH	3/7/2018					CODE IDENT. NO. 00471	DWG. NO. 412-4X01
MANUFACTURING D. LOGUE	3/8/2018					SCALE NONE	SHEET 1 OF 3

OUTLINE DRAWING:



[] MILLIMETERS

UNLESS OTHERWISE SPECIFIED TOLERANCES ARE: .XXX ±.010 ANGLES: ±3° .XX ±.030	CODE IDENT. NO. 00471	DWG. NO. 412-4X01	REV. D
	SCALE NONE	SHEET 2 OF 3	

SPECIFICATION:

1.0 RF CHARACTERISTICS:

1.1 FREQUENCY (GHz)	DC - 1	1 - 2	2 - 4	4 - 8	8 - 12.4
1.2 VSWR (RATIO MAX)	1.15:1	1.20:1	1.25:1	1.45:1	1.60:1
1.3 INSERTION LOSS (dB MAX)	0.15	0.20	0.25	0.40	0.60
1.4 ISOLATION (dB MIN)	85	80	70	60	60
1.5 RF POWER (WATTS CW MAX) AT SEA LEVEL, +40°C, LOAD VSWR 1:1	600	400	300	225	175
1.6 IMPEDANCE (NOMINAL)	50 OHMS				

2.0 ACTUATION DATA:

2.1	NOMINAL VOLTAGE	OPERATING VOLTAGE	CURRENT (NOMINAL) @ NOMINAL VOLTAGE & 25°C
	12	11-14	300mA
	24	20-28	225mA
	28	24-32	175mA

2.2 SWITCHING TIME 20mS MAX
 2.3 OPERATING MODE LATCHING SELF CUT-OFF

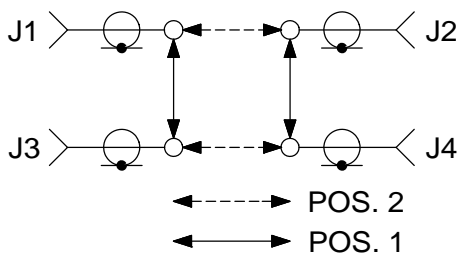
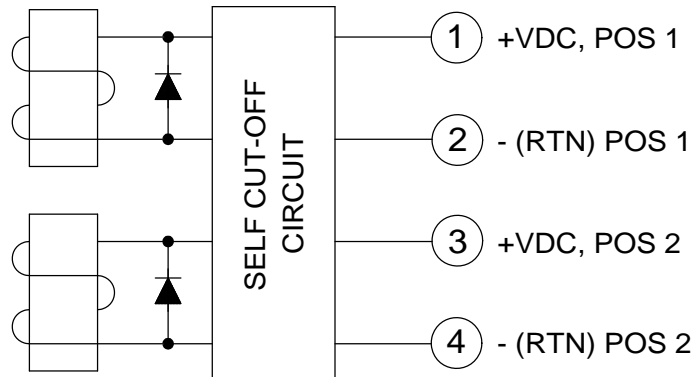
3.0 MECHANICAL:

3.1 CONTACT ARRANGEMENT TRANSFER
 3.2 RF CONTACTS BREAK BEFORE MAKE
 3.3 WEIGHT 10oz (284g) NOMINAL
 3.4 DESIGN LIFE 1,000,000 CYCLES MINIMUM

4.0 ENVIRONMENTAL:

4.1 OPERATING TEMPERATURE -25°C TO +65°C
 4.2 STORAGE TEMPERATURE -55°C TO +85°C
 4.3 SEAL: SAND AND DUST

SCHEMATIC:



CODE IDENT. NO. 00471	DWG. NO. 412-4X01	REV. D
SCALE NONE	SHEET 3 OF 3	