
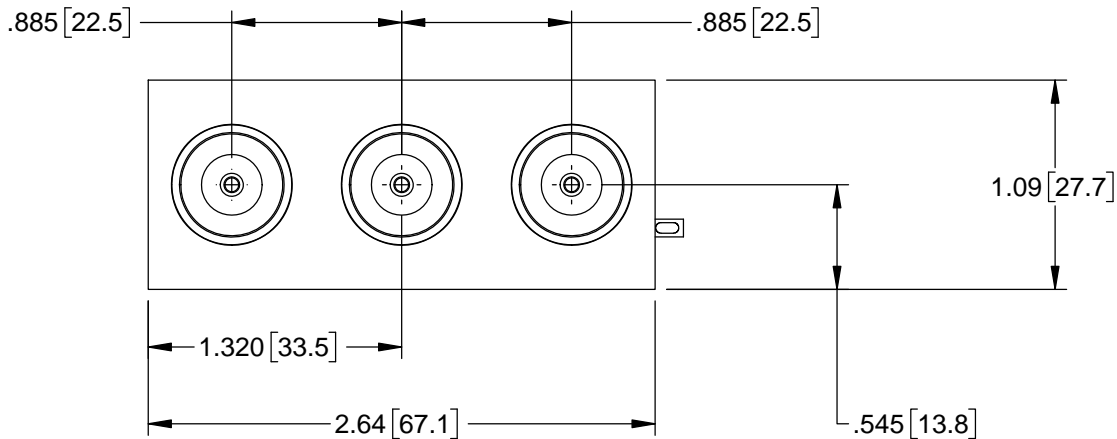
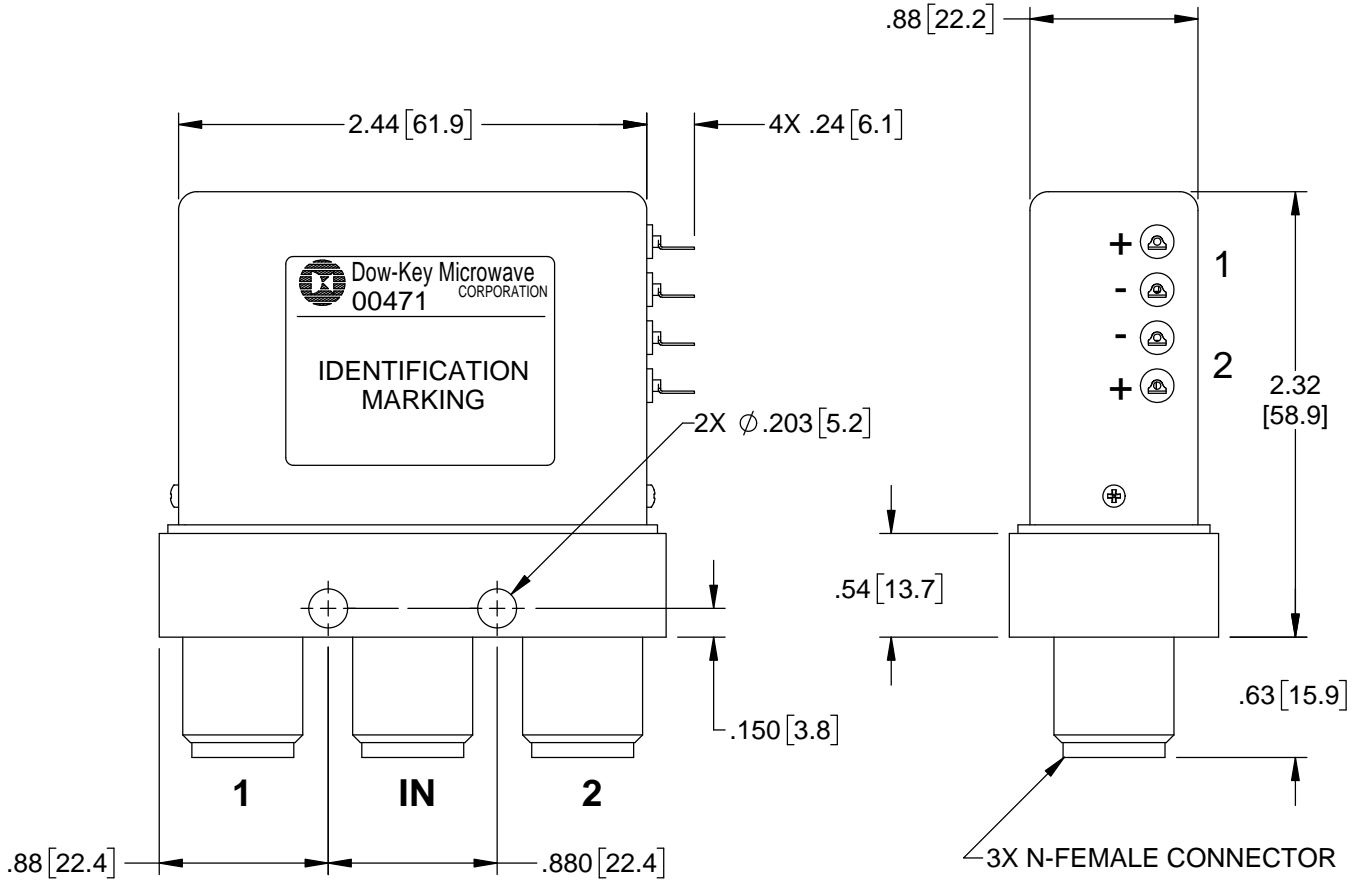
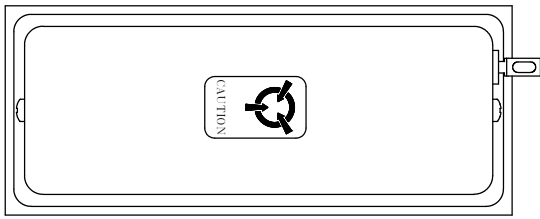


REVISIONS			
REV.	DESCRIPTION	DATE	APPROVED
A	PRODUCTION RELEASE	4/30/99	J.A.
B	REVISED PER ECO 11833	3/7/18	K.R.

Nominal Coil Voltage	Part Number
12 Vdc	402A-4201
15 Vdc	402A-4901
24 Vdc	402A-4801
28 Vdc	402A-4301

APPROVALS	DATE	 DowKey[®] Microwave CORPORATION <small>A DOVER TECHNOLOGIES COMPANY</small>	4822 McGrath Street Ventura, CA. 93003-5641 PH: (805) 650-0260 FAX: (805) 650-1734	
DRAWN S. LEE	03/01/18		SWITCH, SPDT, LATCHING SELF CUT-OFF N-FEMALE CONNECTORS HI-POWER	
ENGINEERING T. STRASBURGER	3/2/2018	CODE IDENT. NO. 00471		
QUALITY S. LYNCH	3/6/2018	SCALE NONE		
MANUFACTURING R. GARCIA	3/6/2018			SHEET 1 OF 3

OUTLINE DRAWING:



[] MILLIMETERS

UNLESS OTHERWISE SPECIFIED TOLERANCES ARE: .XXX ±.010 ANGLES: ±3° .XX ±.030	CODE IDENT. NO. 00471	DWG. NO. 402A-4X01	REV. B
	SCALE NONE	SHEET 2 OF 3	

SPECIFICATION:

1.0 RF CHARACTERISTICS:

1.1 FREQUENCY (GHz)	DC - 1	1 - 2	2 - 4	4 - 8	8 - 12.4
1.2 VSWR (RATIO MAX)	1.15:1	1.20:1	1.25:1	1.45:1	1.60:1
1.3 INSERTION LOSS (dB MAX)	0.15	0.20	0.25	0.40	0.60
1.4 ISOLATION (dB MIN)	85	80	70	60	60
1.5 RF POWER (WATTS CW MAX) AT SEA LEVEL, +40°C, LOAD VSWR 1:1	1000	775	550	400	350
1.6 IMPEDANCE (NOMINAL)	50 OHMS				

2.0 ACTUATION DATA:

2.1	NOMINAL VOLTAGE	OPERATING VOLTAGE	CURRENT (NOMINAL) @ NOMINAL VOLTAGE & 25°C
	12	11-14	300mA
	15	13-17	290mA
	24	20-28	165mA
	28	24-32	130mA

2.2 SWITCHING TIME: 20mS MAX
 2.3 OPERATING MODE: LATCHING SELF CUT-OFF

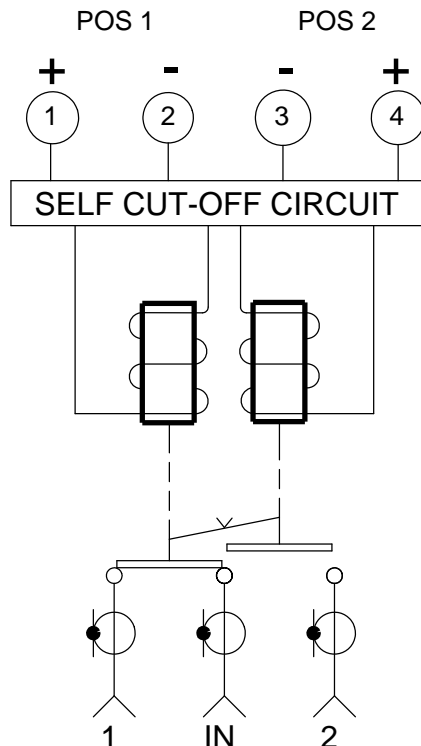
3.0 MECHANICAL:

3.1 CONTACT ARRANGEMENT: SPDT
 3.2 RF CONTACTS: BREAK BEFORE MAKE
 3.3 WEIGHT: 7.5oz (212g) NOMINAL
 3.4 DESIGN LIFE: 1,000,000 CYCLES MINIMUM

4.0 ENVIRONMENTAL:

4.1 OPERATING TEMPERATURE: -25°C TO +65°C
 4.2 STORAGE TEMPERATURE: -55°C TO +85°C
 4.3 SEAL: GASKET SEAL

SCHEMATIC:



CODE IDENT. NO. 00471	DWG. NO. 402A-4X01	REV. B
SCALE NONE	SHEET 3 OF 3	