

REVISIONS			
REV.	DESCRIPTION	DATE	APPROVED
A	PRODUCTION RELEASE	5/5/09	K.R.

Nominal Coil Voltage	Part Number	
	SP9T	SP10T
12 Vdc	591J-5208	5A1J-5208
15 Vdc	591J-5908	5A1J-5908
24 Vdc	591J-5808	5A1J-5808
28 Vdc	591J-5308	5A1J-5308

REVISIONS	A	A	A			
SHEET NO.	1	2	3			
APPROVALS			DATE			
DRAWN	S. LEE		5/4/09			
ENG	S. LEE		5/4/09			
ENG. MGR.	G. NICKLAUS		5/5/09			
SALES MGR.	L. NEELEY		5/5/09			
Q.A. MGR.	S. LYNCH		5/5/09			
MFG. MGR.	S. WIGHTMAN		5/5/09			



DowKey®
Microwave
CORPORATION

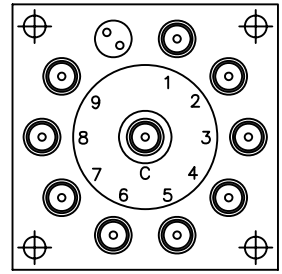
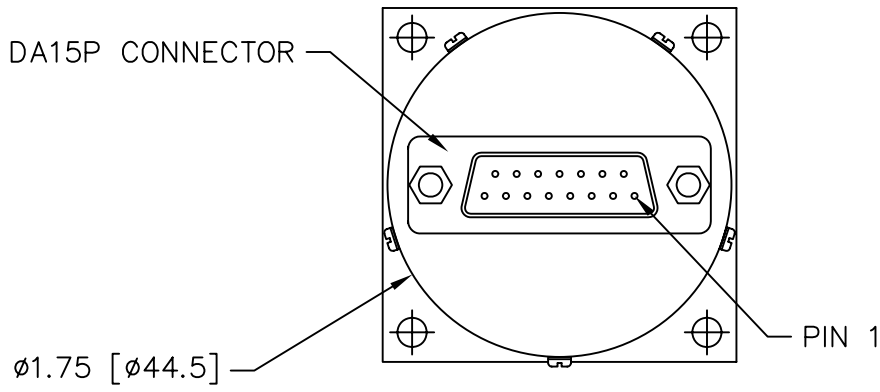
4822 McGrath Street
Ventura, CA. 93003-5641
PH: (805) 650-0260
FAX: (805) 650-1734

A **DOVER** TECHNOLOGIES COMPANY

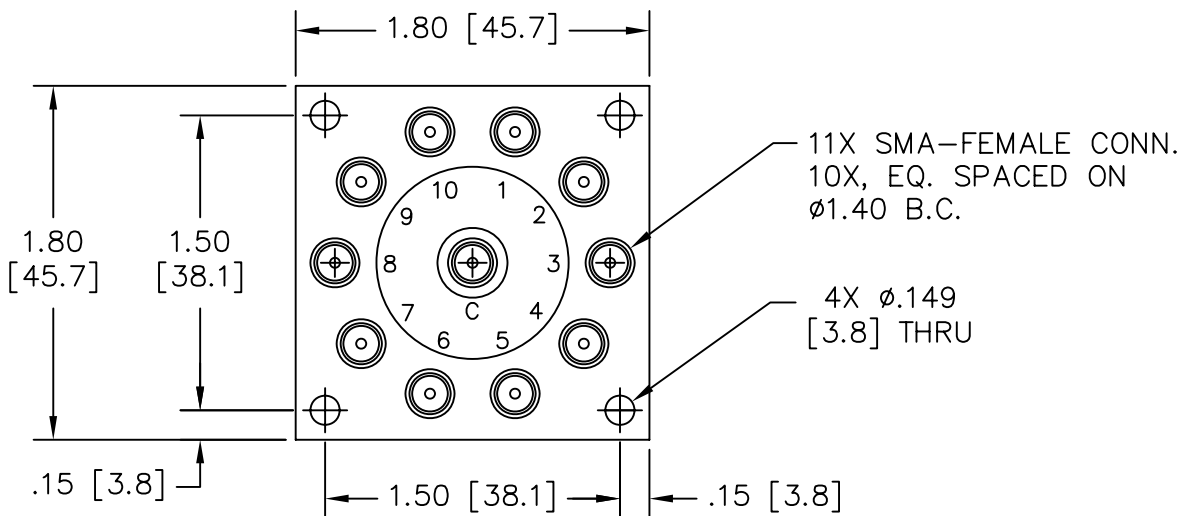
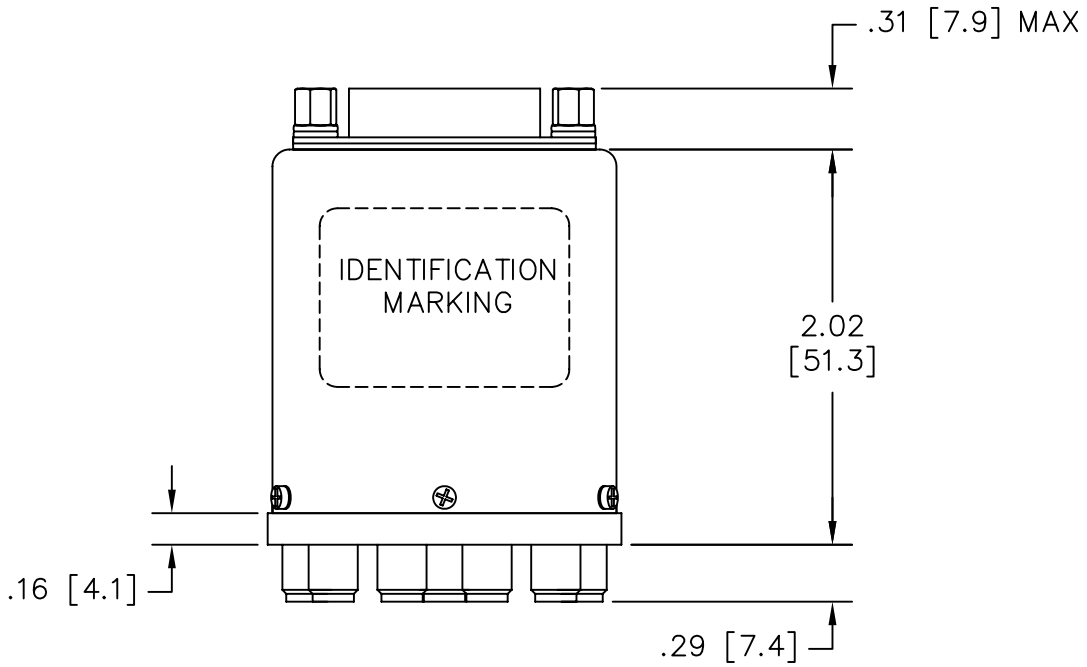
SWITCH, 9-10 POSITION, NORMALLY OPEN
SMA-FEMALE CONNECTORS,
DA15P DC CONNECTOR

CODE IDENT. NO.	DWG. NO.	SCALE	NONE	FINAL ASSY:	SHEET 1 OF 3
00471	5Z1J-5X08				

OUTLINE DRAWING:



9 POSITION



[] MILLIMETERS

UNLESS OTHERWISE SPECIFIED TOLERANCES ARE: .XXX ±.010 ANGLES: ±3° .XX ±.030	CODE IDENT. NO. 00471	DWG. NO. 5Z1J-5X08	REV. A
	SCALE NONE	SHEET 2 OF 3	

SPECIFICATIONS:

1. RF CHARACTERISTICS:

1.1 FREQUENCY (GHz):	DC-4	4-8	8-12.4	12.4-18
1.2 VSWR (RATIO MAX):	1.20:1	1.30:1	1.40:1	1.60:1
1.3 INSERTION LOSS (dB MAX):	0.20	0.30	0.40	0.60
1.4 ISOLATION (dB MIN):	70	65	60	55
1.5 RF POWER (WATTS CW MAX):	125	90	75	60

2. ACTUATION DATA:

2.1	NOMINAL VOLTAGE	OPERATING VOLTAGE	CURRENT (TYP) @ NOMINAL VOLTAGE & 25°C
	12	11-14	285mA
	15	13-17	225mA
	24	20-28	140mA
	28	24-32	120mA

- 2.2 SWITCHING TIME: 15mS MAX.
2.3 OPERATING MODE: NORMALLY OPEN

3. MECHANICAL:

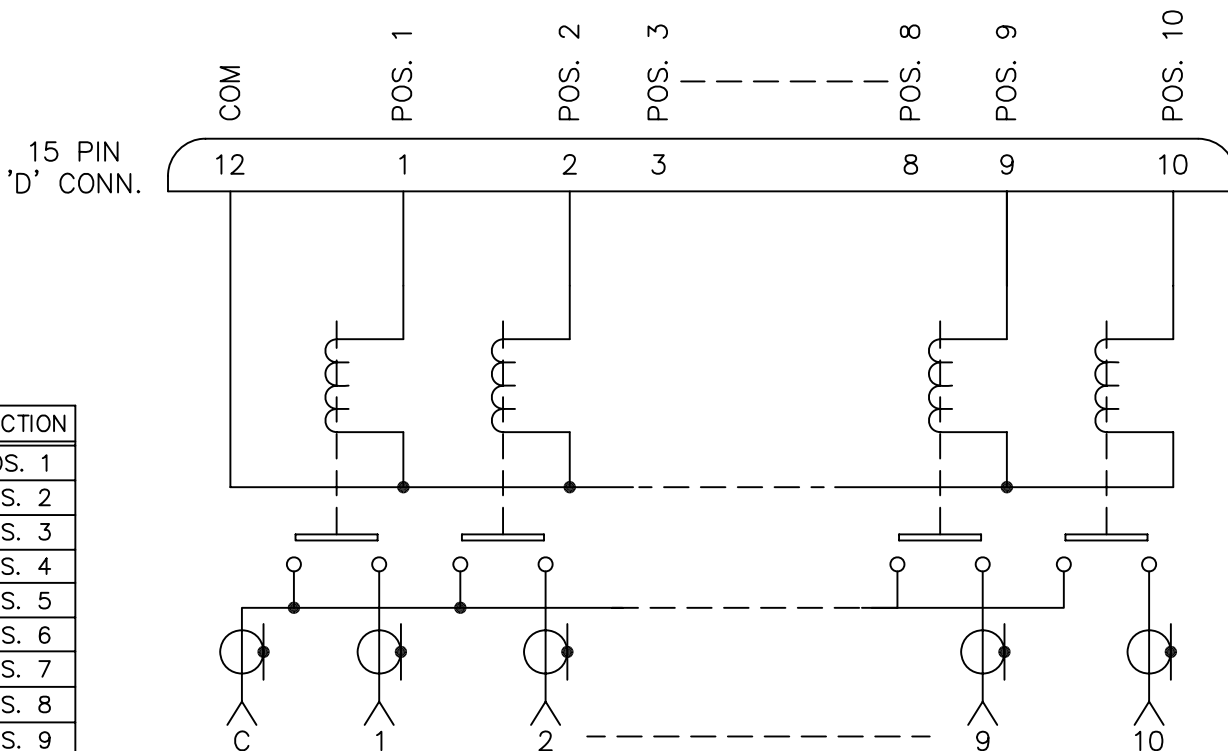
- 3.1 RF CONTACTS: BREAK BEFORE MAKE
3.2 WEIGHT: 5.5oz. (156g.) NOMINAL
3.3 DESIGN LIFE: 1,000,000 CYCLES MIN

4. ENVIRONMENTAL:

- 4.1 OPERATING TEMPERATURE: -25°C TO +65°C
4.2 STORAGE TEMPERATURE: -55°C TO +85°C
4.3 SEAL: SAND AND DUST

SCHMATIC:

TERMINALS ARE NOT POLARITY SENSITIVE



PIN	FUNCTION
1	POS. 1
2	POS. 2
3	POS. 3
4	POS. 4
5	POS. 5
6	POS. 6
7	POS. 7
8	POS. 8
9	POS. 9
10	POS. 10
11	SPARE
12	COM
13-15	SPARE

CODE IDENT. NO. 00471	DWG. NO. 5Z1J-5X08	REV. A
SCALE NONE	SHEET 3 OF 3	