

REVISIONS			
REV.	DESCRIPTION	DATE	APPROVED
D	REVISED PER ECO 7586	9/08/05	J.S.
E	REVISED PER ECO 9851	5/03/10	K.R.
F	REVISED PER ECO 11456	4/18/16	K.R.

Nominal Coil Voltage	Part Number SP9T	Part Number SP10T
12 Vdc	591J-520803A	5A1J-520803A
15 Vdc	591J-590803A	5A1J-590803A
24 Vdc	591J-580803A	5A1J-580803A
28 Vdc	591J-530803A	5A1J-530803A

REVISIONS	F	F	F			
SHEET NO.	1	2	3			
APPROVALS			DATE			
DRAWN	S. LEE		7/20/99			
ENG	C. BURAU		7/20/99			
ENG. MGR.	D. FAIRBANKS		7/20/99			
SALES MGR.	J. TRUJILLO		7/20/99			
Q.A. MGR.	R. MATSUMOTO		7/20/99			
MFG. MGR.	R. VANYSEL DYK		7/20/99			



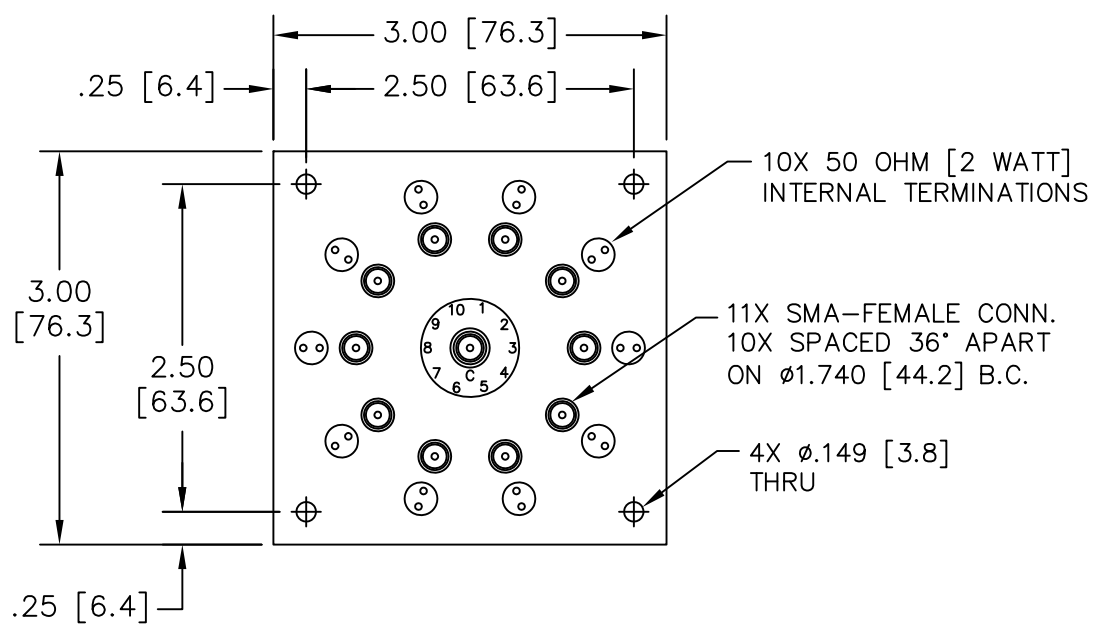
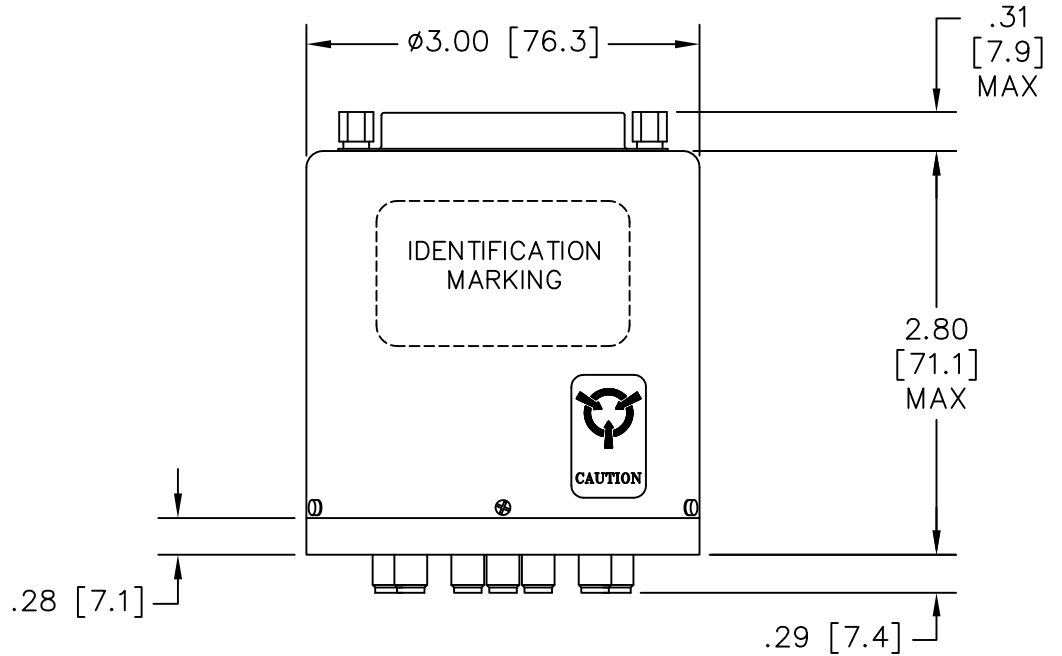
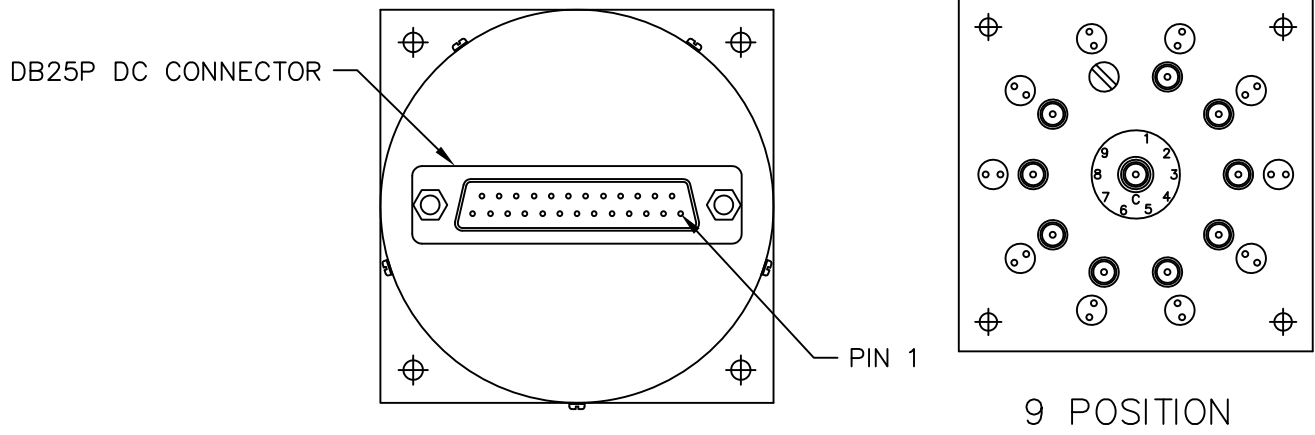
DowKey®
Microwave
CORPORATION

4822 McGrath Street
Ventura, CA. 93003-5641
PH: (805) 650-0260
FAX: (805) 650-1734

A **DOVER** TECHNOLOGIES COMPANY

SWITCH, 9-10 POSITION, NORMALLY OPEN SMA-FEMALE CONN., 50 OHM [2W] INT. TERMINATIONS, TTL-HI CONTROL LOGIC, DB25P DC CONNECTOR		
CODE IDENT. NO.	DWG. NO.	
00471	5Z1J-5X0803A	
SCALE NONE	FINAL ASSY:	SHEET 1 OF 3

OUTLINE DRAWING:



[] MILLIMETERS

UNLESS OTHERWISE SPECIFIED TOLERANCES ARE: .XXX ±.010 ANGLES: ±3' .XX ±.030	CODE IDENT. NO. 00471	DWG. NO. 5Z1J-5X0803A	REV. F
	SCALE NONE	SHEET 2 OF 3	

SPECIFICATIONS:

1. RF CHARACTERISTICS:

1.1 FREQUENCY (GHz):	DC-4	4-8	8-12.4	12.4-18
1.2 VSWR (RATIO MAX):	1.20:1	1.30:1	1.40:1	1.60:1
1.3 INSERTION LOSS (dB MAX):	0.20	0.30	0.40	0.60
1.4 ISOLATION (dB MIN):	70	65	60	55
1.5 RF POWER (WATTS CW MAX):	125	90	75	60

2. ACTUATION DATA:

2.1

NOMINAL VOLTAGE	OPERATING VOLTAGE	CURRENT (TYP) @ NOMINAL VOLTAGE & 25°C
12	11-14	325mA
15	13-17	265mA
24	20-28	165mA
28	24-32	140mA

2.2 SWITCHING TIME:

20ms MAX

2.3 OPERATING MODE:

NORMALLY OPEN, TTL-HI CONTROL LOGIC

3. MECHANICAL:

3.1 RF CONTACTS:

BREAK BEFORE MAKE

3.2 WEIGHT, NOMINAL:

15oz. (425g.)

3.3 DESIGN LIFE (MIN.):

1,000,000 CYCLES

4. ENVIRONMENTAL:

4.1 OPERATING TEMPERATURE:

-25°C TO +65°C

4.2 STORAGE TEMPERATURE:

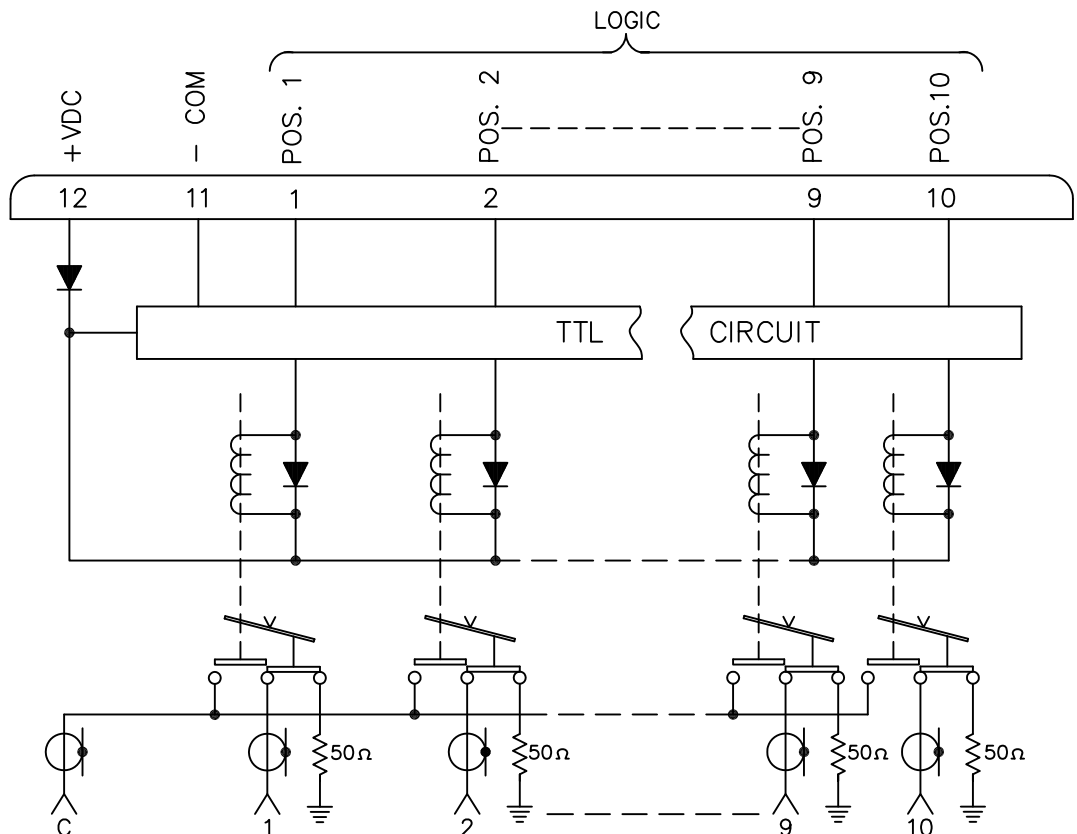
-55°C TO +85°C

4.3 SEAL:

SAND AND DUST

SCHEMATIC:

PIN NO.	FUNCTION
1	LOGIC POS 1
2	LOGIC POS 2
3	LOGIC POS 3
4	LOGIC POS 4
5	LOGIC POS 5
6	LOGIC POS 6
7	LOGIC POS 7
8	LOGIC POS 8
9	LOGIC POS 9
10	LOGIC POS 10
11	- COMMON
12	+ VDC
13-25	SPARE



(ON) LOGIC HI "1" = 2.4-5.5Vdc
 (OFF) LOGIC LO "0" = 0-0.8Vdc

CODE IDENT. NO. 00471	DWG. NO. 5Z1J-5X0803A	REV. F
SCALE NONE	SHEET 3 OF 3	