
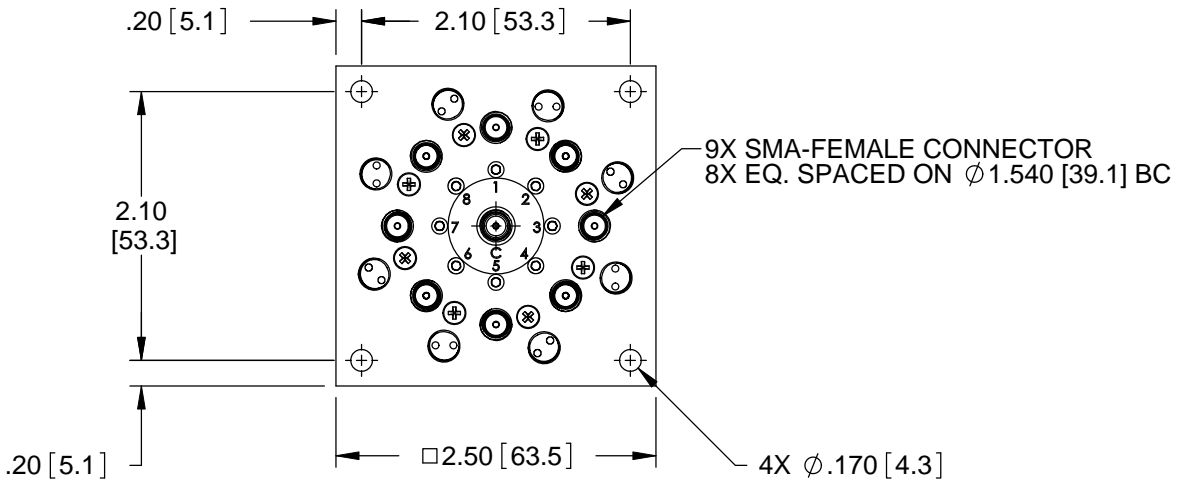
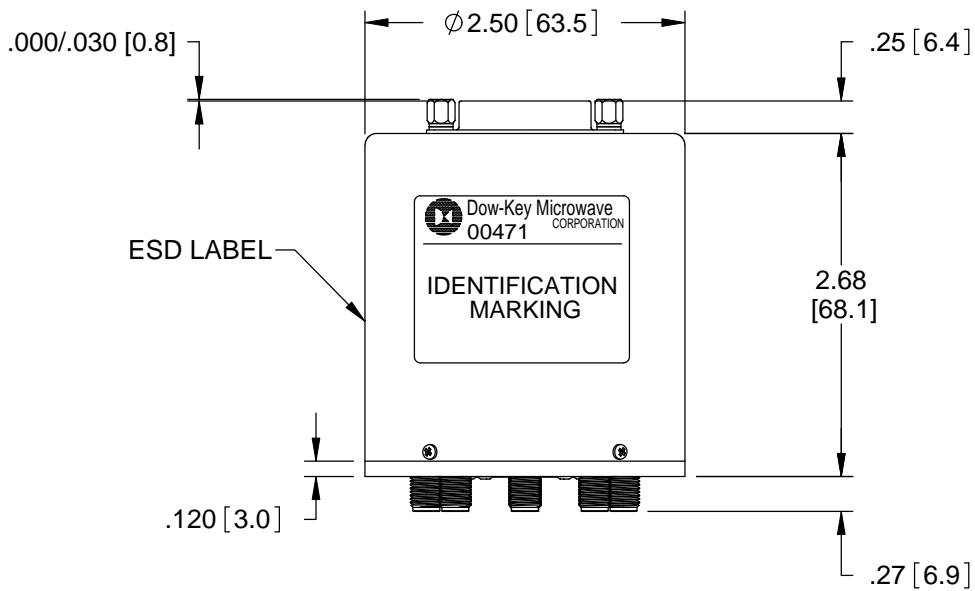
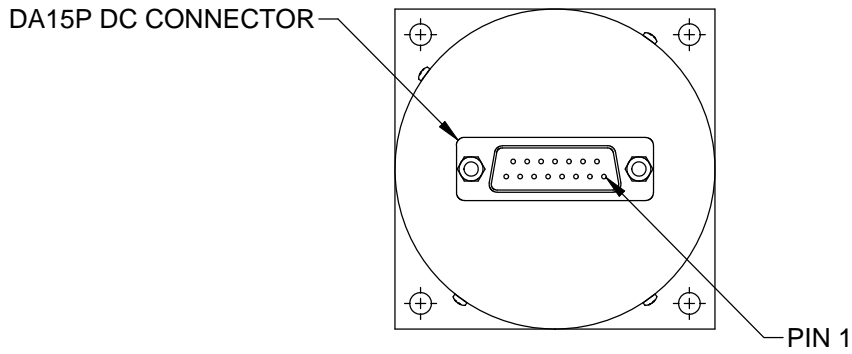


REVISIONS			
REV.	DESCRIPTION	DATE	APPROVED
A	PRODUCTION RELEASE	3/18/02	J.S.
B	REVISED PER ECO 11202	5/13/15	K.R.

Nominal Coil Voltage	Part Number
12 Vdc	581J-4208
28 Vdc	581J-4308

REVISIONS	B	B	B				 DowKey[®] Microwave CORPORATION <small>A DOVER TECHNOLOGIES COMPANY</small>	4822 McGrath Street Ventura, CA. 93003-5641 PH: (805) 650-0260 FAX: (805) 650-1734
SHEET NO.	1	2	3					
APPROVALS			DATE			SW, 8 POSITION, LATCHING SELF CUT-OFF SMA-FEMALE CONNECTORS DA15P DC CONNECTOR		
DRAWN SARA LEE			2/15/02					
ENGINEERING T. JOHNSON			5/12/2015					
QUALITY S. LYNCH			2/18/02					
MANUFACTURING J. LEE			2/18/02					
CODE IDENT. NO.				DWG. NO.				
00471				5Y1J-4X08				
SCALE		NONE		FINAL ASSY: 581J-4208			SHEET 1 OF 3	

OUTLINE DRAWING:



[] MILLIMETERS

UNLESS OTHERWISE SPECIFIED TOLERANCES ARE: .XXX ±.010 ANGLES: ±3° .XX ±.030	CODE IDENT. NO. 00471	DWG. NO. 5Y1J-4X08	REV. B
	SCALE NONE	FINAL ASSY: 581J-4208	SHEET 2 OF 3

SPECIFICATION:

1.0 RF CHARACTERISTICS:

1.1 FREQUENCY (GHz)	DC - 4	4 - 8	8 - 12.4	12.4 - 18
1.2 VSWR (RATIO MAX)	1.20:1	1.30:1	1.40:1	1.50:1
1.3 INSERTION LOSS (dB MAX)	0.20	0.30	0.40	0.50
1.4 ISOLATION (dB MIN)	80	75	70	60
1.5 RF POWER (WATTS CW MAX)	125	90	75	60
1.6 IMPEDANCE (NOMINAL)	50 OHMS			

2.0 ACTUATION DATA:

2.1	NOMINAL VOLTAGE	OPERATING VOLTAGE	CURRENT (TYP) @ NOMINAL VOLTAGE & 25 °C
	12	11-14	415mA
	28	24-32	180mA

2.2 SWITCHING TIME 15mS MAX
 2.3 OPERATING MODE LATCHING SELF CUT-OFF

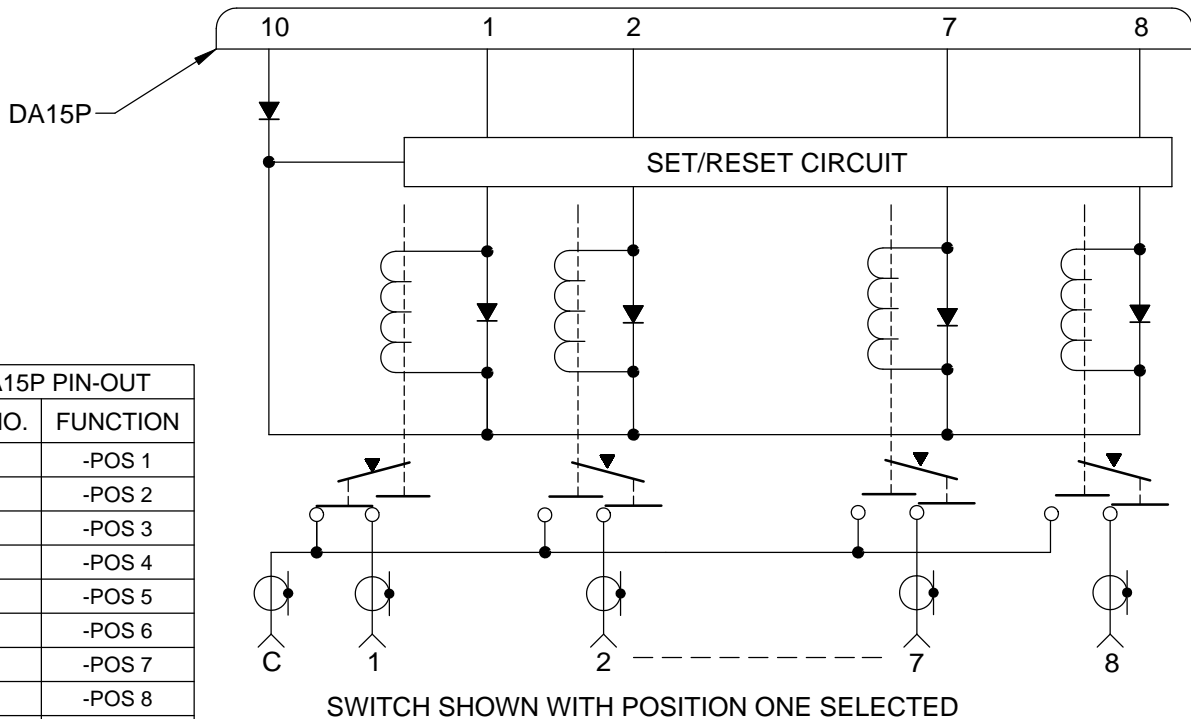
3.0 MECHANICAL:

3.1 RF CONTACTS BREAK BEFORE MAKE
 3.2 WEIGHT 10.6oz (300g) NOMINAL
 3.3 DESIGN LIFE 1,000,000 CYCLES MINIMUM

4.0 ENVIRONMENTAL:

4.1 OPERATING TEMPERATURE -25°C TO +65°C
 4.2 STORAGE TEMPERATURE -55°C TO +85°C
 4.3 SEAL: SAND AND DUST

SCHEMATIC:



DA15P PIN-OUT	
PIN NO.	FUNCTION
1	-POS 1
2	-POS 2
3	-POS 3
4	-POS 4
5	-POS 5
6	-POS 6
7	-POS 7
8	-POS 8
9	N/C
10	+VDC
11-15	N/C

SWITCH SHOWN WITH POSITION ONE SELECTED

CODE IDENT. NO. 00471	DWG. NO. 5Y1J-4X08	REV. B
SCALE NONE	FINAL ASSY: 581J-4208	SHEET 3 OF 3