

REVISIONS			
REV.	DESCRIPTION	DATE	APPROVED
A	PRODUCTION RELEASE	11/21/01	M.R.
B	UPDATE TO NEW CONFIGURATION PER ECO #7606	11/22/04	J.S.
C	REVISED PER ECO 10864	7/1/14	K.R.

Nominal Coil Voltage	Part Number	
	SP7T	SP8T
12 Vdc	571J-420823A	581J-420823A
15 Vdc	571J-490823A	581J-490823A
24 Vdc	571J-480823A	581J-480823A
28 Vdc	571J-430823A	581J-430823A

REVISIONS	C	C	C			
SHEET NO.	1	2	3			
APPROVALS			DATE			
DRAWN	S. LEE		11/15/01			
ENG	S. LEE		11/15/01			
ENG. MGR.	R. SZNUK		11/15/01			
SALES MGR.	J. TRUJILLO		11/21/01			
Q.A. MGR.	R. MATSUMOTO		11/21/01			
MFG. MGR.	M. MARTINEZ		11/21/01			



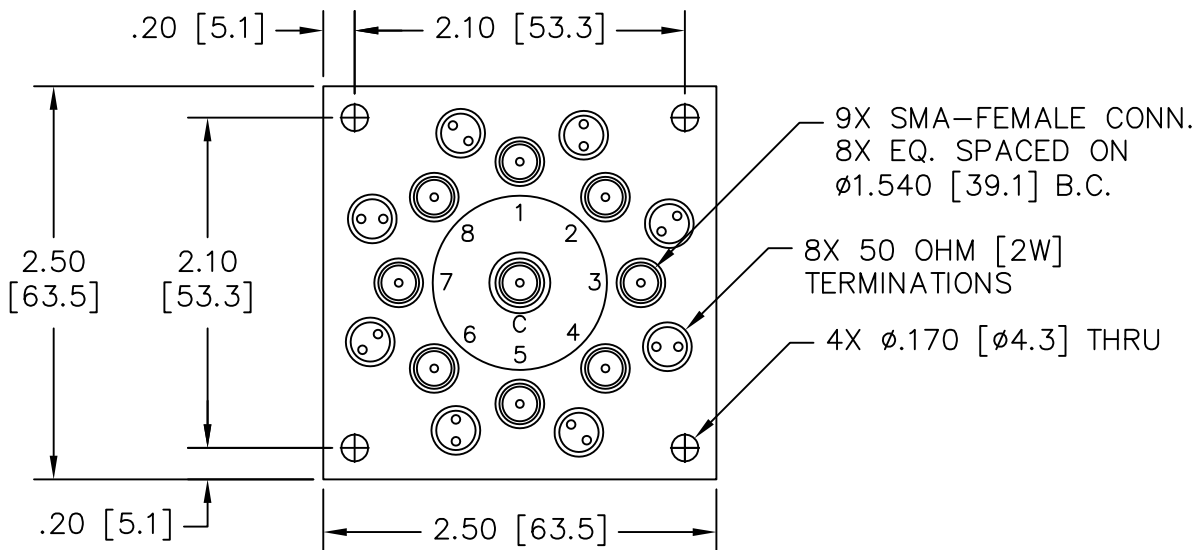
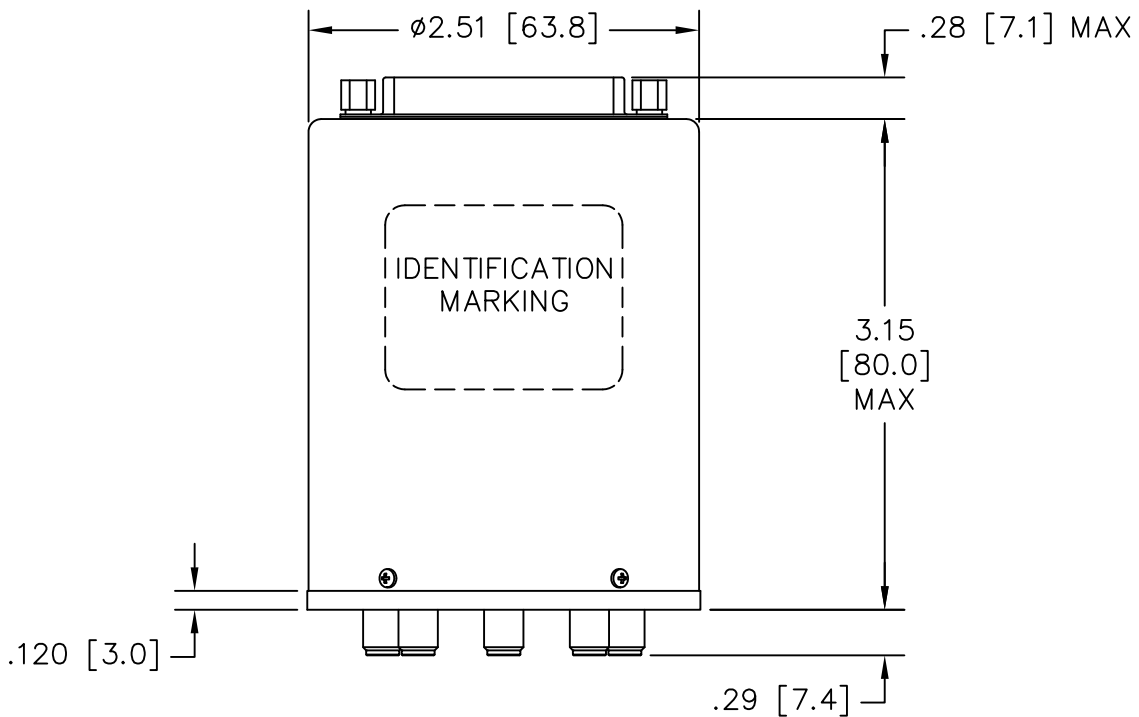
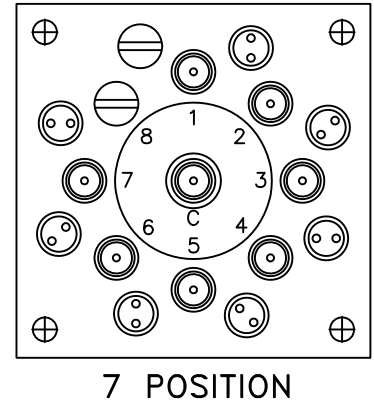
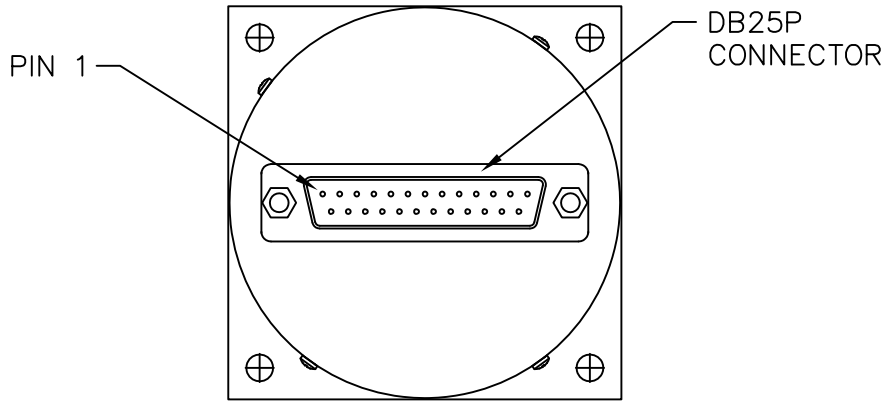
**DowKey**®  
**Microwave**  
CORPORATION

4822 McGrath Street  
Ventura, CA. 93003-5641  
PH: (805) 650-0260  
FAX: (805) 650-1734

A **DOVER** TECHNOLOGIES COMPANY

SWITCH, 7-8 POSITION, LATCHING SELF CUT-OFF SMA-FEMALE CONNECTORS, MECHANICAL INDICATORS 50 OHM [2W] TERM., TTL-HI CONTROL, DB25P CONN.		
CODE IDENT. NO.	DWG. NO.	
00471	5Y1J-4X0823A	
SCALE NONE	FINAL ASSY:	SHEET 1 OF 3

**OUTLINE DRAWING:**



[ ] MILLIMETERS

UNLESS OTHERWISE SPECIFIED TOLERANCES ARE: .XXX ±.010 ANGLES: ±3° .XX ±.030	CODE IDENT. NO. 00471	DWG. NO. 5Y1J-4X0823A	REV. C
	SCALE NONE	SHEET 2 OF 3	

# SPECIFICATIONS:

## 1. RF CHARACTERISTICS:

1.1 FREQUENCY (GHz):	DC-4	4-8	8-12.4	12.4-18
1.2 VSWR (RATIO MAX):	1.20:1	1.30:1	1.40:1	1.50:1
1.3 INSERTION LOSS (dB MAX):	0.20	0.30	0.40	0.50
1.4 ISOLATION (dB MIN):	80	75	70	60
1.5 RF POWER (WATTS, CW MAX):	125	90	75	60

## 2. ACTUATION DATA:

2.1

NOMINAL VOLTAGE	OPERATING VOLTAGE	CURRENT (TYP) @ NOMINAL VOLTAGE & 25°C
12	11-14	415mA
15	13-17	330mA
24	20-28	210mA
28	24-32	180mA

2.2 SWITCHING TIME:

15ms MAX.

2.3 OPERATING MODE:

LATCHING, SELF CUT-OFF, TTL-HI CONTROL

## 3. MECHANICAL:

3.1 RF CONTACTS:

BREAK BEFORE MAKE

3.2 WEIGHT, NOMINAL:

11oz. (312g.)

3.3 DESIGN LIFE (MIN.):

1,000,000 CYCLES

## 4. ENVIRONMENTAL:

4.1 OPERATING TEMPERATURE:

-25°C TO +65°C

4.2 STORAGE TEMPERATURE:

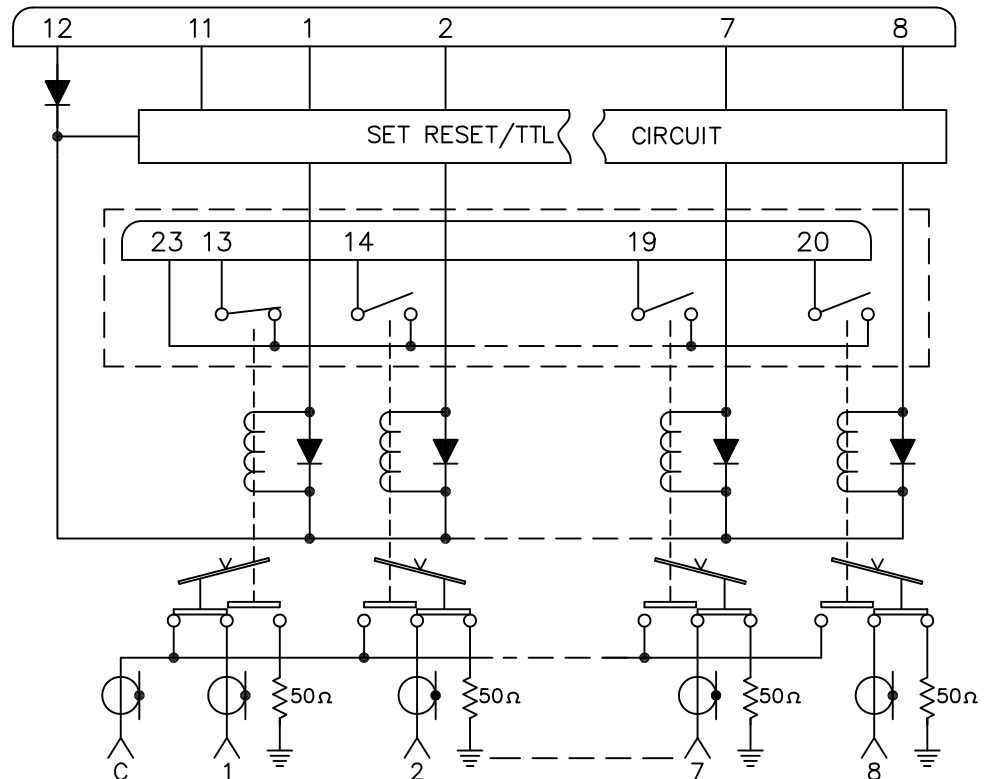
-55°C TO +85°C

4.3 SEAL:

SAND AND DUST

# SCHEMATIC:

PIN NO.	FUNCTION
1	POS. 1 LOGIC
2	POS. 2 LOGIC
3	POS. 3 LOGIC
4	POS. 4 LOGIC
5	POS. 5 LOGIC
6	POS. 6 LOGIC
7	POS. 7 LOGIC
8	POS. 8 LOGIC
9,10	SPARE
11	-COM
12	+VDC
13	IND POS 1
14	IND POS 2
15	IND POS 3
16	IND POS 4
17	IND POS 5
18	IND POS 6
19	IND POS 7
20	IND POS 8
21-22	SPARE
23	IND COM
24-25	SPARE



SCHEMATIC SHOWN WITH POSITION 1 ENERGIZED

CODE IDENT. NO. 00471	DWG. NO. 5Y1J-4X0823A	REV. C
SCALE NONE	SHEET 3 OF 3	