
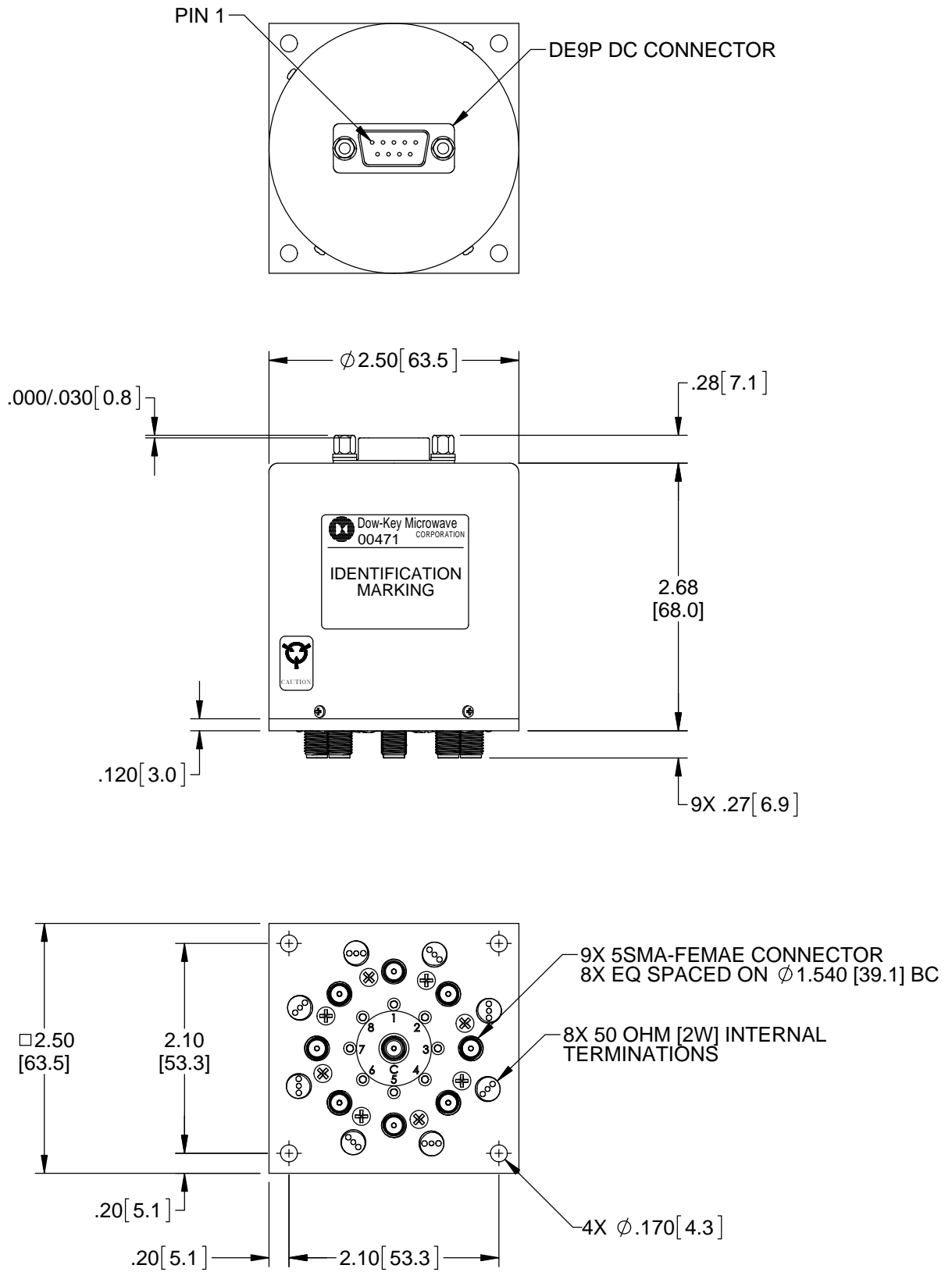


REVISIONS			
REV.	DESCRIPTION	DATE	APPROVED
A	PRODUCTION RELEASE	3/06/08	K.R.
B	REVISED PER ECO 11458	4/29/16	K.R.

Nominal Coil Voltage	Part Number
12 Vdc	581J-420803
15 Vdc	581J-490803
24 Vdc	581J-480803
28 Vdc	581J-430803

REVISIONS	B	B	B				 DowKey[®] Microwave CORPORATION <small>A DOVER TECHNOLOGIES COMPANY</small>	4822 McGrath Street Ventura, CA. 93003-5641 PH: (805) 650-0260 FAX: (805) 650-1734			
SHEET NO.	1	2	3								
APPROVALS			DATE			SWITCH, SP8T, LATCHING SELF CUT-OFF SMA-FEMALE CONNECTORS, DE9P CONN 50 OHM [2W] INT TERMINATIONS					
DRAWN			DATE						CODE IDENT. NO.		
SARA LEE			4/19/2016						00471		
ENGINEERING			DATE						DWG. NO.		
G. NICKLAUS			4/26/2016						5Y1J-4X0803		
QUALITY			DATE			SCALE					
G. WAKEFIELD			4/28/2016			NONE					
MANUFACTURING			DATE			FINAL ASSY: 581J-430803					
R. GARCIA			4/28/2016			SHEET 1 OF 3					

OUTLINE DRAWING:



[] MILLIMETERS

UNLESS OTHERWISE SPECIFIED TOLERANCES ARE: .XXX ±.010 ANGLES: ±3° .XX ±.030	CODE IDENT. NO. 00471	DWG. NO. 5Y1J-4X0803	REV. B
	SCALE NONE	FINAL ASSY: 581J-430803	SHEET 2 OF 3

SPECIFICATION:

1.0 RF CHARACTERISTICS:

1.1 FREQUENCY (GHz)	DC - 4	4 - 8	8 - 12.4	12.4 - 18
1.2 VSWR (RATIO MAX)	1.20:1	1.30:1	1.40:1	1.50:1
1.3 INSERTION LOSS (dB MAX)	0.20	0.30	0.40	0.50
1.4 ISOLATION (dB MIN)	80	75	70	60
1.5 RF POWER (WATTS CW MAX) AT SEA LEVEL, +25°C, LOAD VSWR 1:1	125	90	75	60
1.6 IMPEDANCE (NOMINAL)	50 OHMS			

2.0 ACTUATION DATA:

2.1	NOMINAL VOLTAGE	OPERATING VOLTAGE	CURRENT (NOMINAL) @ NOMINAL VOLTAGE & 25°C
	12	11-14	415mA
	15	13-17	330mA
	24	20-28	210mA
	28	24-32	180mA

2.2 SWITCHING TIME 15mS MAX
 2.3 OPERATING MODE LATCHING SELF CUT-OFF

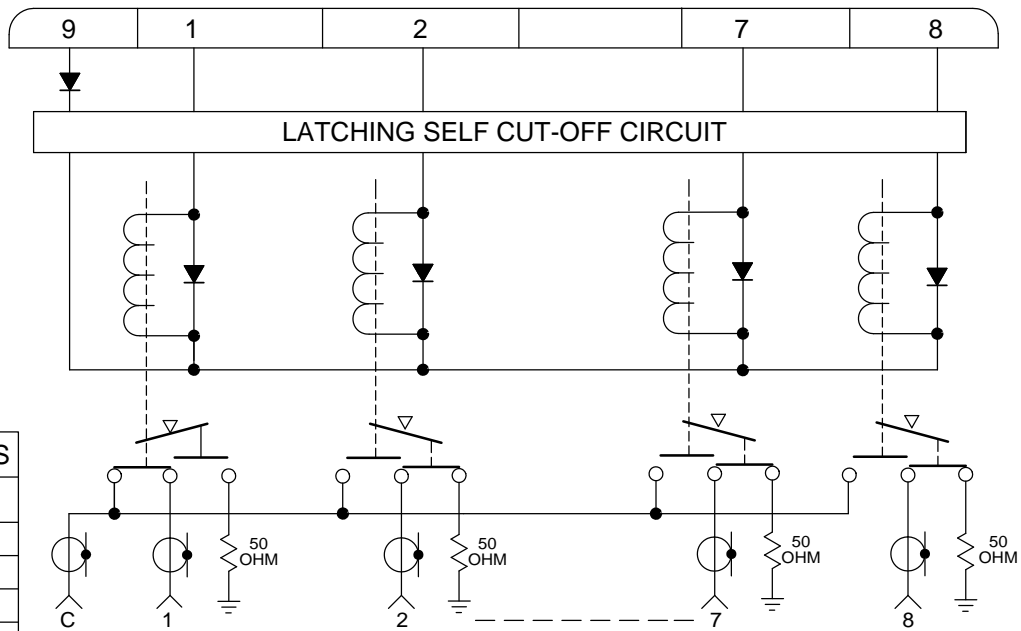
3.0 MECHANICAL:

3.1 CONTACT ARRANGEMENT SP8T
 3.2 RF CONTACTS BREAK BEFORE MAKE
 3.3 WEIGHT 10.5oz (298g) NOMINAL
 3.4 DESIGN LIFE 1,000,000 CYCLES MINIMUM

4.0 ENVIRONMENTAL:

4.1 OPERATING TEMPERATURE -25°C TO +65°C
 4.2 STORAGE TEMPERATURE -55°C TO +85°C
 4.3 SEAL: SAND AND DUST

SCHEMATIC:



DE9P CONNECTIONS	
PIN NO	FUNCTION
1	- POS 1
2	- POS 2
3	- POS 3
4	- POS 4
5	- POS 5
6	- POS 6
7	- POS 7
8	- POS 8
9	+VDC

SWITCH SHOWN WITH POSITION 1 SELECTED

CODE IDENT. NO. 00471	DWG. NO. 5Y1J-4X0803	REV. B
SCALE NONE	FINAL ASSY: 581J-430803	SHEET 3 OF 3