
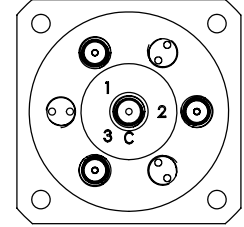
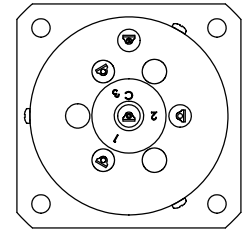
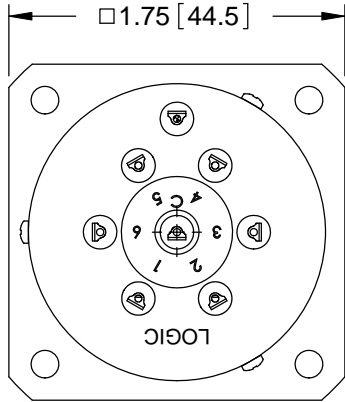


REVISIONS			
REV.	DESCRIPTION	DATE	APPROVED
A	PRODUCTION RELEASE	9/05/01	M.R.
B	REVISED AND REDRAWN PER ECO 11037	12/10/14	K.R.

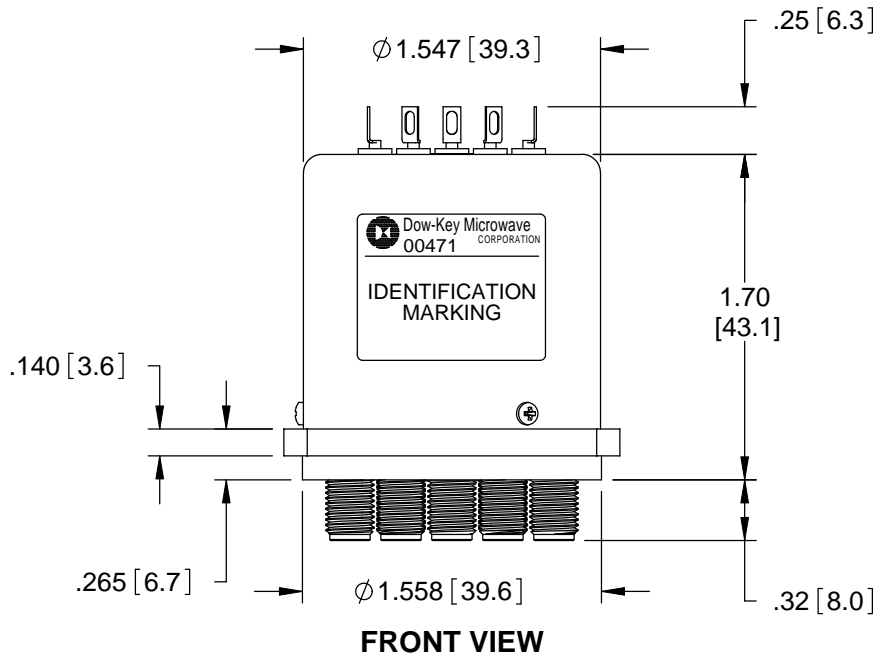
Nominal Coil Voltage	Part Number		
	SP3T	SP4T	SP6T
12 Vdc	535T-520802A	545T-520802A	565T-520802A
15 Vdc	535T-590802A	545T-590802A	565T-590802A
24 Vdc	535T-580802A	545T-580802A	565T-580802A
28 Vdc	535T-530802A	545T-530802A	565T-530802A

REVISIONS	B	B	B				 DowKey[®] Microwave CORPORATION <small>A DOVER TECHNOLOGIES COMPANY</small>	4822 McGrath Street Ventura, CA. 93003-5641 PH: (805) 650-0260 FAX: (805) 650-1734
SHEET NO.	1	2	3					
APPROVALS			DATE			SW, 3-6 POSITION, NORMALLY OPEN SMA-FEMALE CONNECTORS TTL-HI CONTROL, EXTENDED TEMP		
DRAWN			DATE					
ENGINEERING			DATE					
QUALITY			DATE					
MANUFACTURING			DATE					
			CODE IDENT. NO.			DWG. NO.		
			00471			5X5T-5X0802A		
			SCALE NONE			FINAL ASSY: 565T-530802A		
						SHEET 1 OF 3		

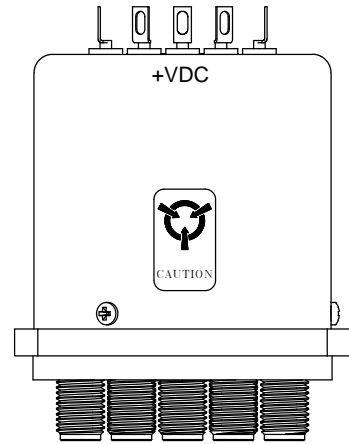
OUTLINE DRAWING:



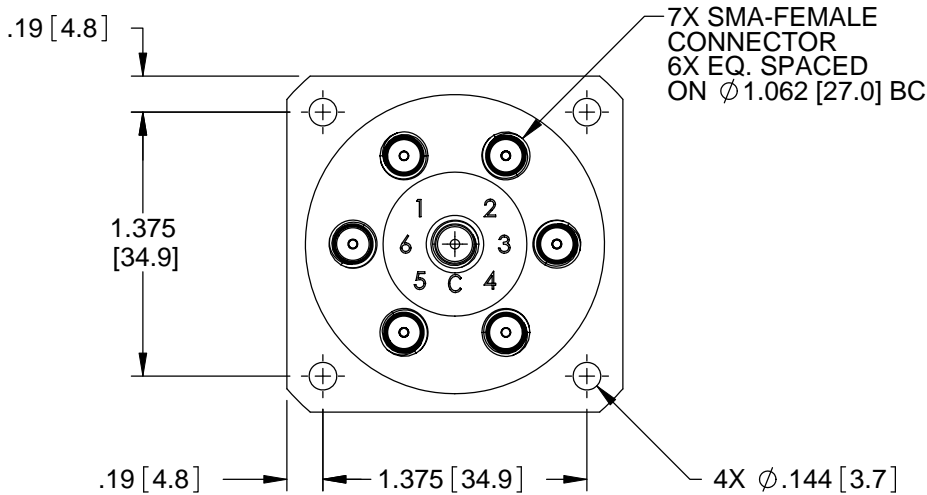
3 POSITION



FRONT VIEW

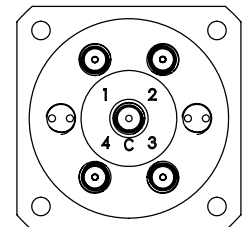
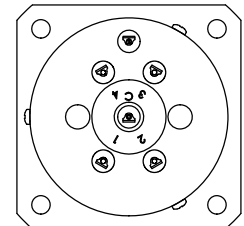


REAR VIEW



7X SMA-FEMALE
CONNECTOR
6X EQ. SPACED
ON \varnothing 1.062 [27.0] BC

4X \varnothing .144 [3.7]



4 POSITION

[] MILLIMETERS

UNLESS OTHERWISE SPECIFIED TOLERANCES ARE: .XXX ±.010 ANGLES: ±3° .XX ±.030	CODE IDENT. NO. 00471	DWG. NO. 5X5T-5X0802A	REV. B
	SCALE NONE	FINAL ASSY: 565T-530802A	SHEET 2 OF 3

SPECIFICATION:

1.0 RF CHARACTERISTICS:

1.1 FREQUENCY (GHz)	DC - 4	4 - 8	8 - 12.4	12.4 - 18
1.2 VSWR (RATIO MAX)	1.20:1	1.30:1	1.40:1	1.50:1
1.3 INSERTION LOSS (dB MAX)	0.20	0.30	0.40	0.50
1.4 ISOLATION (dB MIN)	70	65	65	60
1.5 RF POWER (WATTS CW MAX)	125	90	75	60
1.6 IMPEDANCE (NOMINAL)	50 OHMS			

2.0 ACTUATION DATA:

2.1	NOMINAL VOLTAGE	OPERATING VOLTAGE	CURRENT (TYP) @ NOMINAL VOLTAGE & 25°C
	12	11-14	335mA
	15	13-17	280mA
	24	20-28	190mA
	28	24-32	160mA

2.2 SWITCHING TIME 20mS MAX
 2.3 OPERATING MODE NORMALLY OPEN

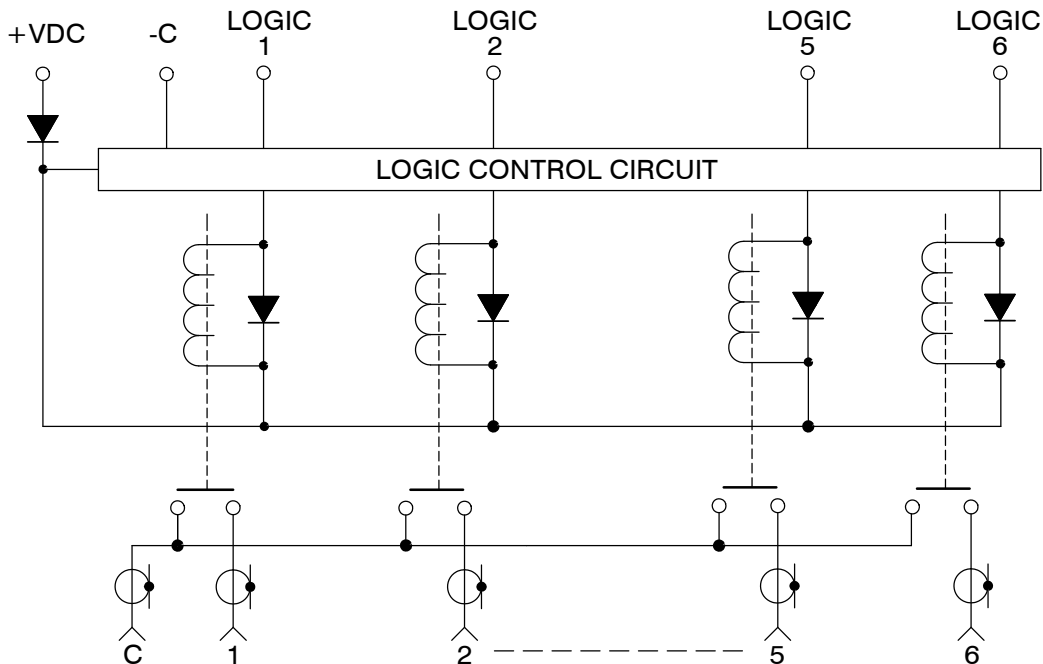
3.0 MECHANICAL:

3.1 RF CONTACTS BREAK BEFORE MAKE
 3.2 WEIGHT 4.0oz (113g) NOMINAL
 3.3 DESIGN LIFE 2,000,000 CYCLES MINIMUM

4.0 ENVIRONMENTAL:

4.1 OPERATING TEMPERATURE -55°C TO +85°C
 4.2 STORAGE TEMPERATURE -55°C TO +85°C
 4.3 SEAL: EPOXY SEAL

SCHEMATIC:



SWITCH SHOWN IN THE DE-ENERGIZED POSITION

LOGIC HI (ON) 1 = 2.4-5.5Vdc
 LOGIC LOW (OFF) 0 = 0-0.8Vdc

CODE IDENT. NO. 00471	DWG. NO. 5X5T-5X0802A	REV. B
SCALE NONE	FINAL ASSY: 565T-530802A	SHEET 3 OF 3