

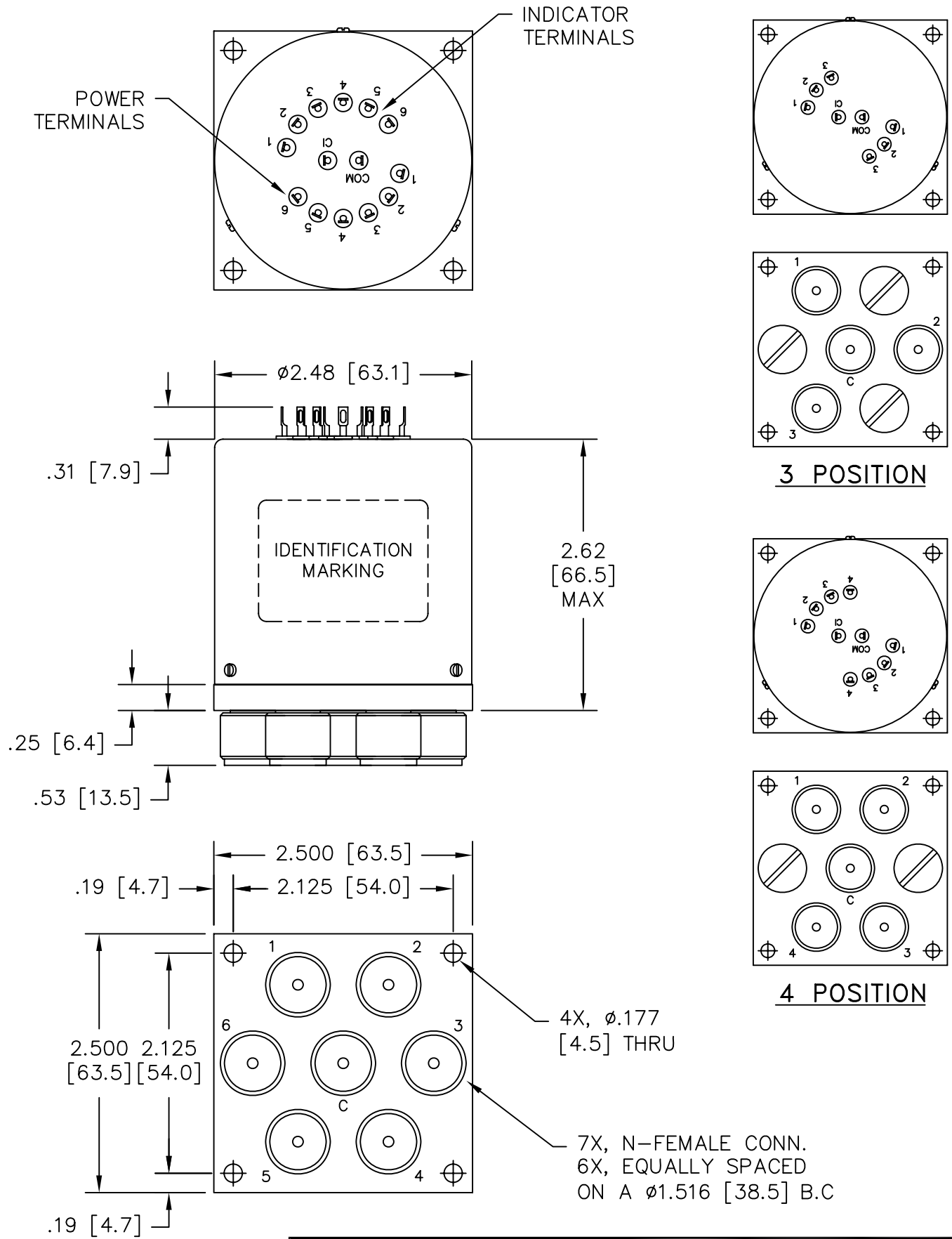


REVISIONS			
REV.	DESCRIPTION	DATE	APPROVED
A	INITIAL RELEASE	4/6/98	J.A.
B	REVISED PER ECO #5942	12/9/99	J.A.
C	REVISED TO ADD ADDITIONAL VOLTAGES PER ECO #9164	11/15/07	K.R.

Nominal Coil Voltage	Part Number		
	SP3T	SP4T	SP6T
12 Vdc	531-520122	541-520122	561-520122
15 Vdc	531-590122	541-590122	561-590122
24 Vdc	531-580122	541-580122	561-580122
28 Vdc	531-530122	541-530122	561-530122

REVISIONS	C	C	C				 DowKey® Microwave CORPORATION	4822 McGrath Street Ventura, CA. 93003-5641 PH: (805) 650-0260 FAX: (805) 650-1734
SHEET NO.	1	2	3					
APPROVALS			DATE					
DRAWN	S. LEE		11/14/07					
ENG	G. NICKLAUS		11/14/07			SWITCH, 3-6 POSITION, NORMALLY OPEN, N-FEMALE CONNECTORS, MECHANICAL INDICATORS		
ENG. MGR.	R. SZNUK		11/15/07					
SALES MGR.	J. TRUJILLO		11/15/07			CODE IDENT. NO.	DWG. NO.	
Q.A. MGR.	N. SANDERS		11/15/07			00471	5X1-5X0122	
MFG. MGR.	R. GONZALEZ		11/15/07			SCALE	NONE	FINAL ASSY:
								SHEET 1 OF 3

OUTLINE DRAWING:



[] MILLIMETERS

UNLESS OTHERWISE SPECIFIED TOLERANCES ARE: .XXX \pm .010 ANGLES: \pm 3' .XX \pm .030	CODE IDENT. NO. 00471	DWG. NO. 5X1-5X0122	REV. C
	SCALE NONE	SHEET 2 OF 3	

SPECIFICATIONS:

1. RF CHARACTERISTICS:

1.1 FREQUENCY (GHz):	DC-4	4-6	6-11
1.2 VSWR (RATIO MAX.):	1.25:1	1.5:1	1.70:1
1.3 INSERTION LOSS (dB MAX.):	0.30	0.50	0.70
1.4 ISOLATION (dB MIN.):	70	60	55
1.5 RF POWER (WATTS CW MAX):	175	125	100

2. ACTUATION DATA:

2.1

NOMINAL VOLTAGE	OPERATING VOLTAGE	CURRENT (TYP) @ NOMINAL VOLTAGE & 25°C
12	11-14	100mA
15	13-17	125mA
24	20-28	65mA
28	24-32	55mA

- 2.2 SWITCHING TIME: 20ms MAX.
2.3 OPERATING MODE: NORMALLY OPEN

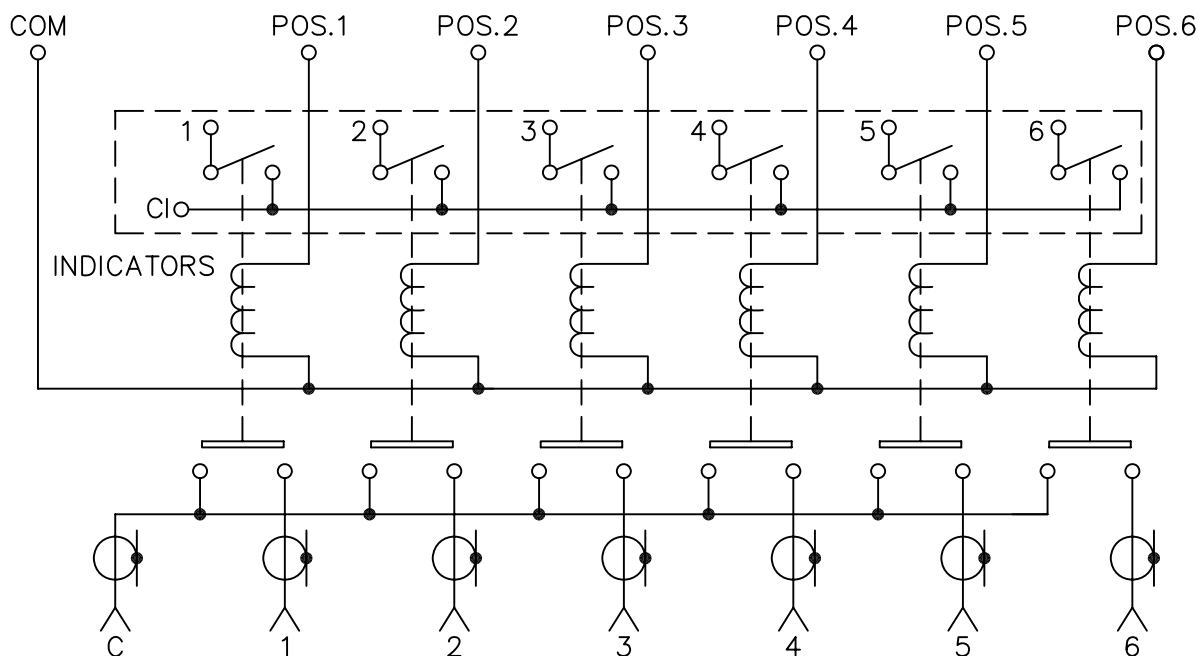
3. MECHANICAL:

- 3.1 RF CONTACTS: BREAK BEFORE MAKE
3.2 WEIGHT: 17.0oz. (482g.) NOMINAL
3.3 DESIGN LIFE: 1,000,000 CYCLES MIN

4. ENVIRONMENTAL:

- 4.1 OPERATING TEMPERATURE: -25°C TO +65°C
4.2 STORAGE TEMPERATURE: -55°C TO +85°C
4.3 SEAL: SAND AND DUST

SCHMATIC:



TERMINALS NOT POLARITY SENSITIVE

CODE IDENT. NO. 00471	DWG. NO. 5X1-5X0122	REV. C
SCALE NONE	SHEET 3 OF 3	