

REVISIONS			
REV.	DESCRIPTION	DATE	APPROVED
A	PRODUCTION RELEASE	9/21/11	K.R.

Nominal Coil Voltage	Part Number
12 Vdc	5C1J-420803
15 Vdc	5C1J-490803
24 Vdc	5C1J-480803
28 Vdc	5C1J-430803

REVISIONS	A	A	A			
SHEET NO.	1	2	3			
APPROVALS		DATE				
DRAWN SARA LEE		08/23/11				
ENGINEERING G. NICKLAUS		08/23/11				
QUALITY G. WAKEFIELD		08/23/11				
MANUFACTURING J.LEE		9/21/11				



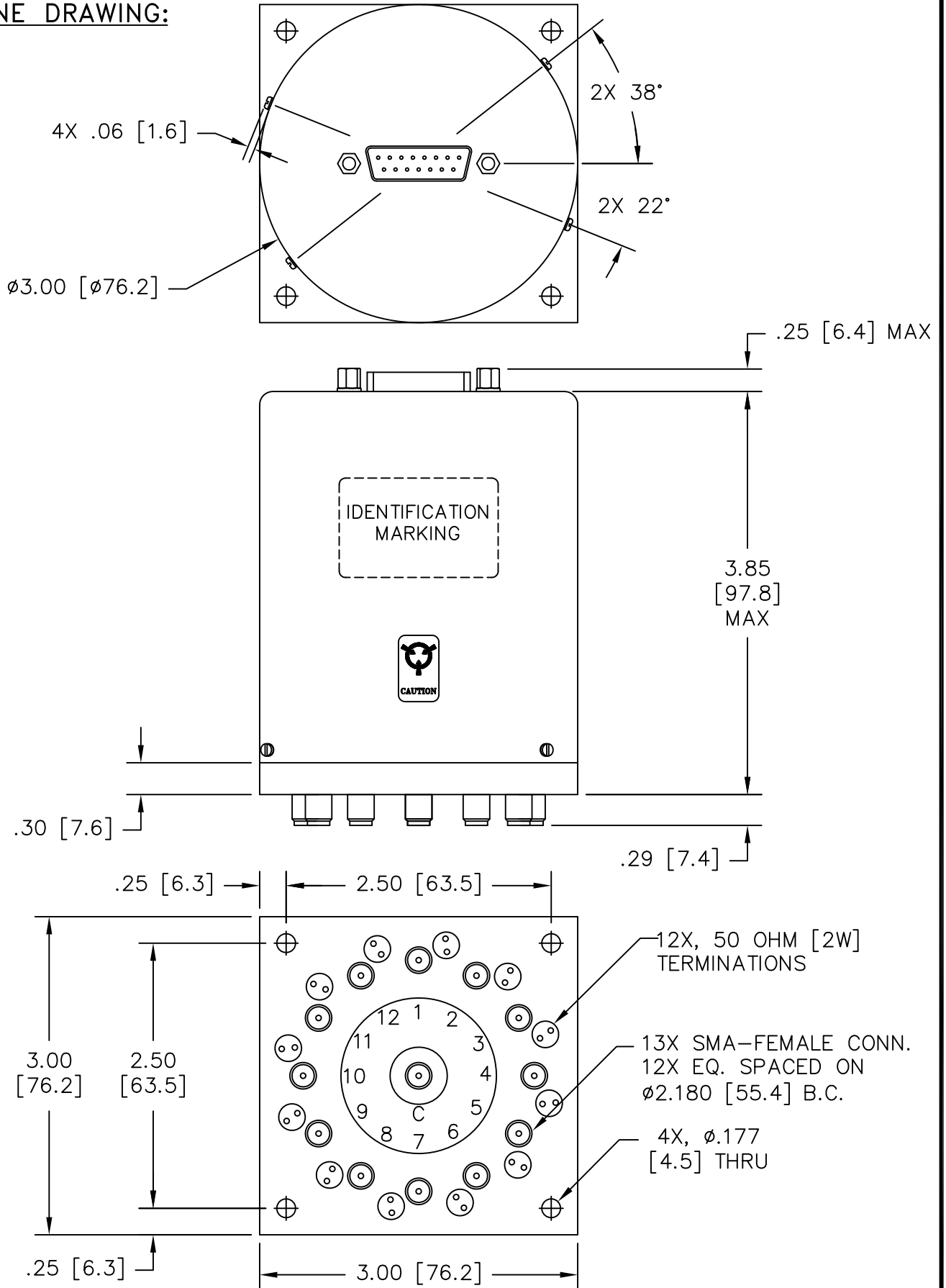
**DowKey®**  
**Microwave**  
CORPORATION

4822 McGrath Street  
Ventura, CA. 93003-5641  
PH: (805) 650-0260  
FAX: (805) 650-1734

A **DOVER** TECHNOLOGIES COMPANY

SWITCH, 12 POSITION, LATCHING SELF CUT-OFF SMA-FEMALE CONNECTORS, 50 OHM [2W] TERM., DA15P DC CONNECTOR		
CODE IDENT. NO. 00471	DWG. NO. 5C1J-4X0803	
SCALE NONE	FINAL ASSY:	SHEET 1 OF 3

OUTLINE DRAWING:



[ ] MILLIMETERS

UNLESS OTHERWISE SPECIFIED TOLERANCES ARE: .XXX ±.010 ANGLES: ±3° .XX ±.030	CODE IDENT. NO. 00471	DWG. NO. 5C1J-4X0803	REV. A
	SCALE NONE	SHEET 2 OF 3	

# SPECIFICATIONS:

## 1. RF CHARACTERISTICS:

1.1 FREQUENCY (GHz):	DC-4	4-8	8-12.4	12.4-18
1.2 VSWR (RATIO MAX):	1.20:1	1.40:1	1.50:1	1.80:1
1.3 INSERTION LOSS (dB MAX):	0.20	0.40	0.60	0.80
1.4 ISOLATION (dB MIN):	70	65	60	60
1.5 RF POWER (WATTS CW MAX):	100	70	60	50

## 2. ACTUATION DATA:

2.1

NOMINAL VOLTAGE	OPERATING VOLTAGE	CURRENT (TYP) @ NOMINAL VOLTAGE & 25°C
12	11-14	600mA
15	13-17	350mA
24	20-28	230mA
28	24-32	260mA

2.2 SWITCHING TIME: 30ms MAX  
 2.3 OPERATING MODE: LATCHING, SELF CUT-OFF  
 2.4 SINK CURRENT: 500uA @ 0-0.8Vdc  
 2.5 BIAS CURRENT: 15mA MAX

## 3. MECHANICAL:

3.1 RF CONTACTS: BREAK BEFORE MAKE  
 3.2 WEIGHT: 17oz. (482g.) NOMINAL  
 3.3 DESIGN LIFE: 1,000,000 CYCLES MIN

## 4. ENVIRONMENTAL:

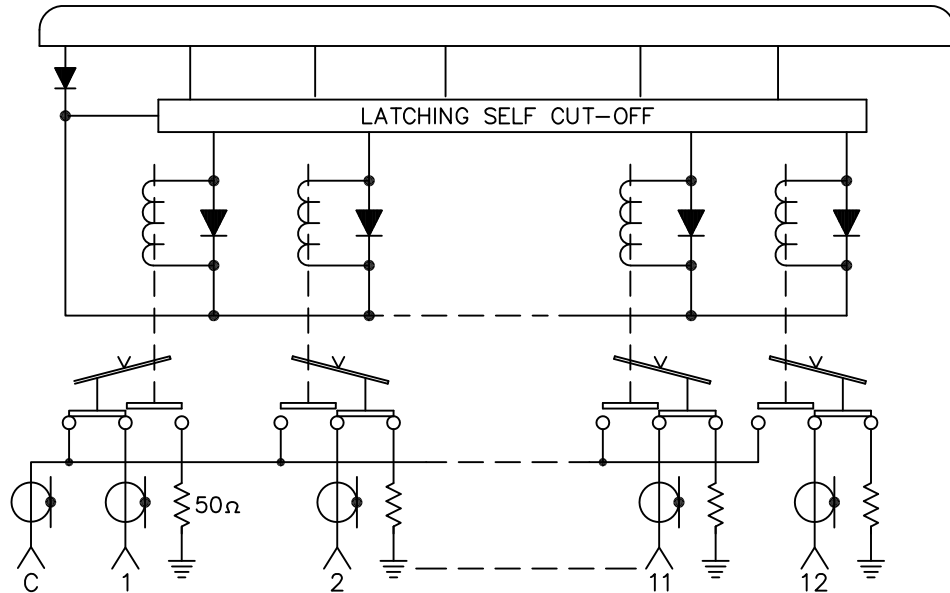
4.1 OPERATING TEMPERATURE: -25°C TO +65°C  
 4.2 STORAGE TEMPERATURE: -55°C TO +85°C  
 4.3 SEAL: SAND AND DUST

# SCHEMATIC:

SCHEMATIC SHOWN WITH POSITION 1 SELECTED

DA15P CONNECTOR

PIN NO.	FUNCTION
1	+VDC
2	- POS 1
3	- POS 2
4	- POS 3
5	- POS 4
6	- POS 5
7	- POS 6
8	- POS 7
9	-RTN (GND)
10	FAULT (*)
11	- POS 8
12	- POS 9
13	- POS 10
14	- POS 11
15	- POS 12



TO ENERGIZE POSITION, A GROUND MUST BE APPLIED TO THE DESIGNATED INPUT PIN. FOR POSITIONS NOT SELECTED NO VOLTAGE IS NEEDED, INPUTS ARE PULLED UP INTERNALLY TO 5VDC. APPLYING A VOLTAGE > 5 VOLTS TO ANY INPUT WILL DAMAGE THE SWITCH

CODE IDENT. NO. 00471	DWG. NO. 5C1J-4X0803	REV. A
SCALE NONE	SHEET 3 OF 3	