

REVISIONS			
REV.	DESCRIPTION	DATE	APPROVED
A	PRODUCTION RELEASE	7/10/08	K.R.
B	REVISED PER ECO #9503	1/21/09	S.L.

Nominal Coil Voltage	Part Number
12 Vdc	521U-420803
24 Vdc	521U-480803
28 Vdc	521U-430803

REVISIONS	B	B	B			
SHEET NO.	1	2	3			
APPROVALS			DATE			
DRAWN	S. LEE		6/17/08			
ENG	G. NICKLAUS		7/7/08			
ENG. MGR.	R. SZNUK		7/7/08			
SALES MGR.	L. NEELEY		7/10/08			
Q.A. MGR.	S. LYNCH		7/10/08			
MFG. MGR.	S. ORNELAS		7/10/08			



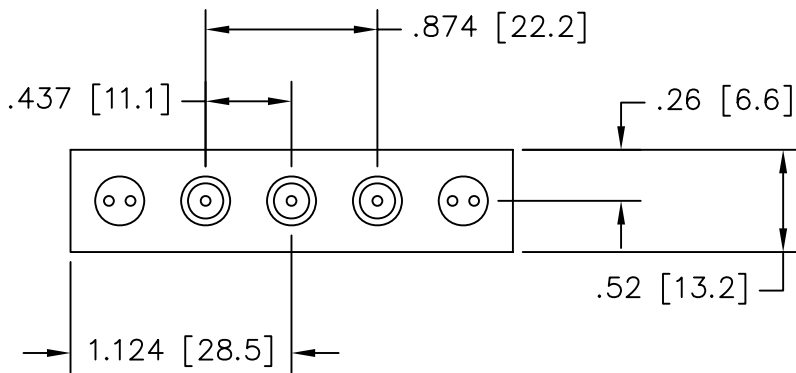
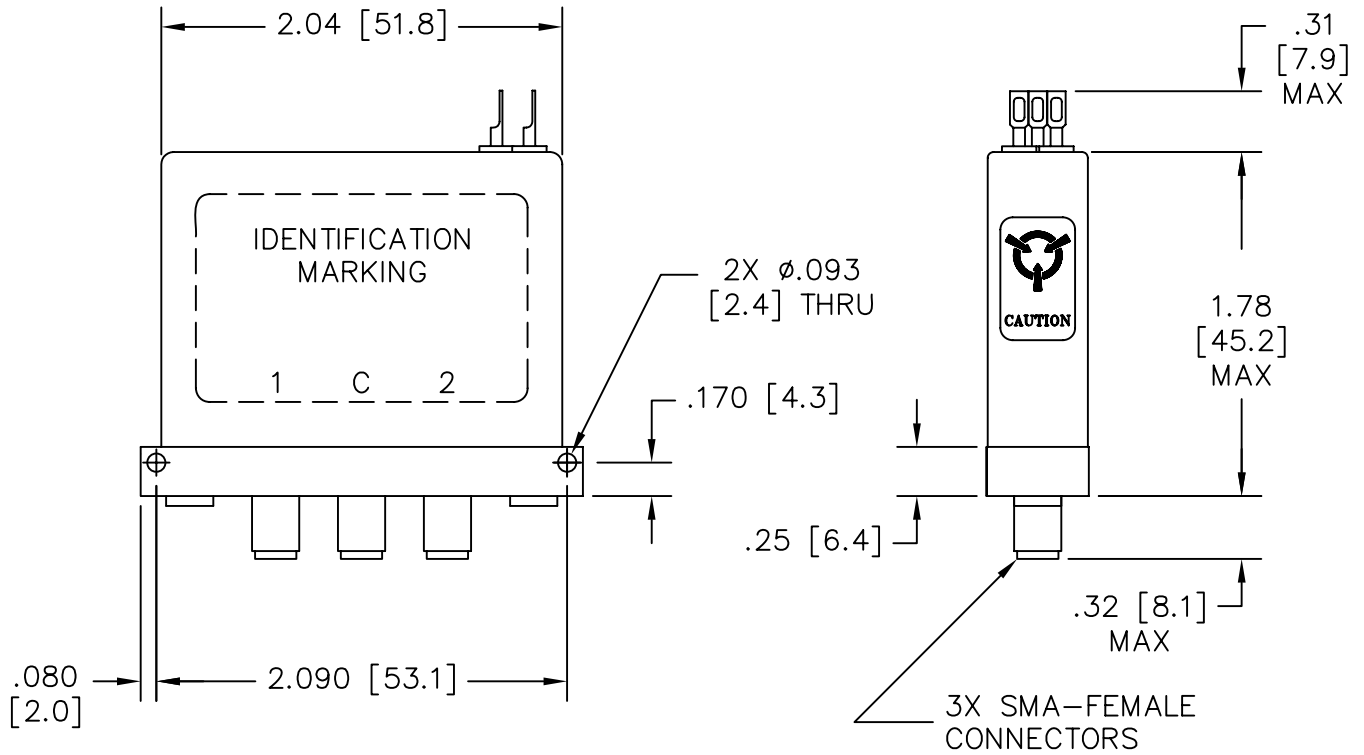
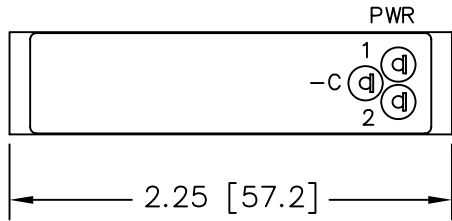
DowKey[®]
Microwave
CORPORATION

4822 McGrath Street
Ventura, CA. 93003-5641
PH: (805) 650-0260
FAX: (805) 650-1734

A **BOVIER** TECHNOLOGIES COMPANY

SWITCH, SPDT, LATCHING SELF CUT-OFF, SMA-FEMALE CONNECTORS, 50 OHM [2W] TERMINATIONS, 5 MILLION CYCLE		
CODE IDENT. NO.	DWG. NO.	
00471	521U-4X0803	
SCALE NONE	FINAL ASSY:	SHEET 1 OF 3

OUTLINE DRAWING:



[] MILLIMETERS

UNLESS OTHERWISE SPECIFIED TOLERANCES ARE: .XXX ±.010 ANGLES: ±3' .XX ±.030	CODE IDENT. NO. 00471	DWG. NO. 521U-4X0803	REV. B
	SCALE NONE	SHEET 2 OF 3	

SPECIFICATIONS:

1. RF CHARACTERISTICS:

1.1 FREQUENCY (GHz):	DC-1	1-4	4-8	8-12	12-18
1.2 VSWR (RATIO MAX):	1.10:1	1.15:1	1.20:1	1.30:1	1.35:1
1.3 INSERTION LOSS (dB MAX):	0.10	0.15	0.20	0.30	0.35
1.4 ISOLATION (dB MIN):	85	80	70	65	60
1.5 RF POWER (WATTS CW MAX):	200	125	90	75	60

2. ACTUATION DATA:

2.1

NOMINAL VOLTAGE	OPERATING VOLTAGE	CURRENT (MAX) @ NOMINAL VOLTAGE & 25°C
12	11-16	265mA
24	20-28	205mA
28	24-32	175mA

- 2.2 SWITCHING TIME: 15ms MAX
2.3 OPERATING MODE: LATCHING, SELF CUT-OFF

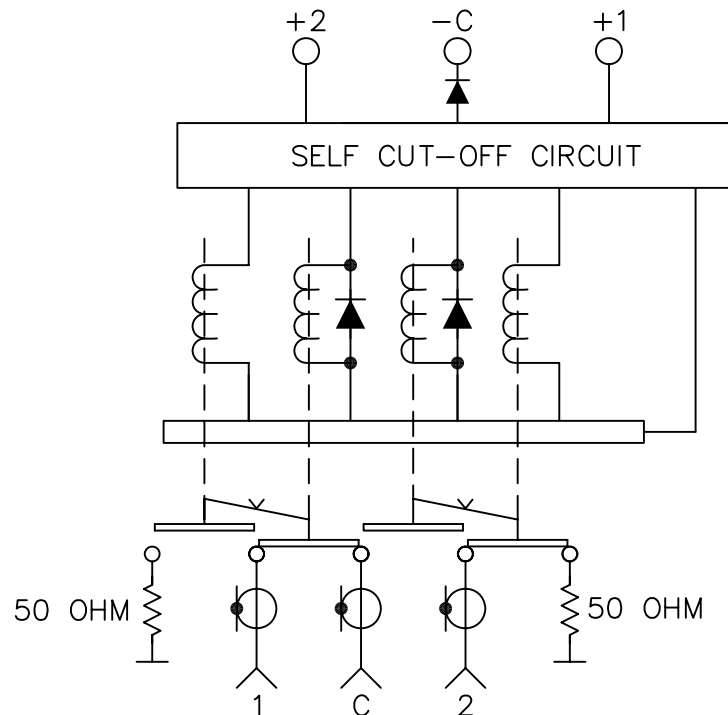
3. MECHANICAL:

- 3.1 RF CONTACTS: BREAK BEFORE MAKE
3.2 WEIGHT: 2.5oz. (71g.) NOMINAL
3.3 DESIGN LIFE: 5,000,000 CYCLES MIN

4. ENVIRONMENTAL:

- 4.1 OPERATING TEMPERATURE: -25°C TO +65°C
4.2 STORAGE TEMPERATURE: -55°C TO +85°C
4.3 SEAL: EPOXY SEALED

SCHEMATIC:



SWITCH SHOWN WITH POSITION 1 SELECTED

CODE IDENT. NO. 00471	DWG. NO. 521U-4X0803	REV. B
SCALE NONE	SHEET 3 OF 3	