
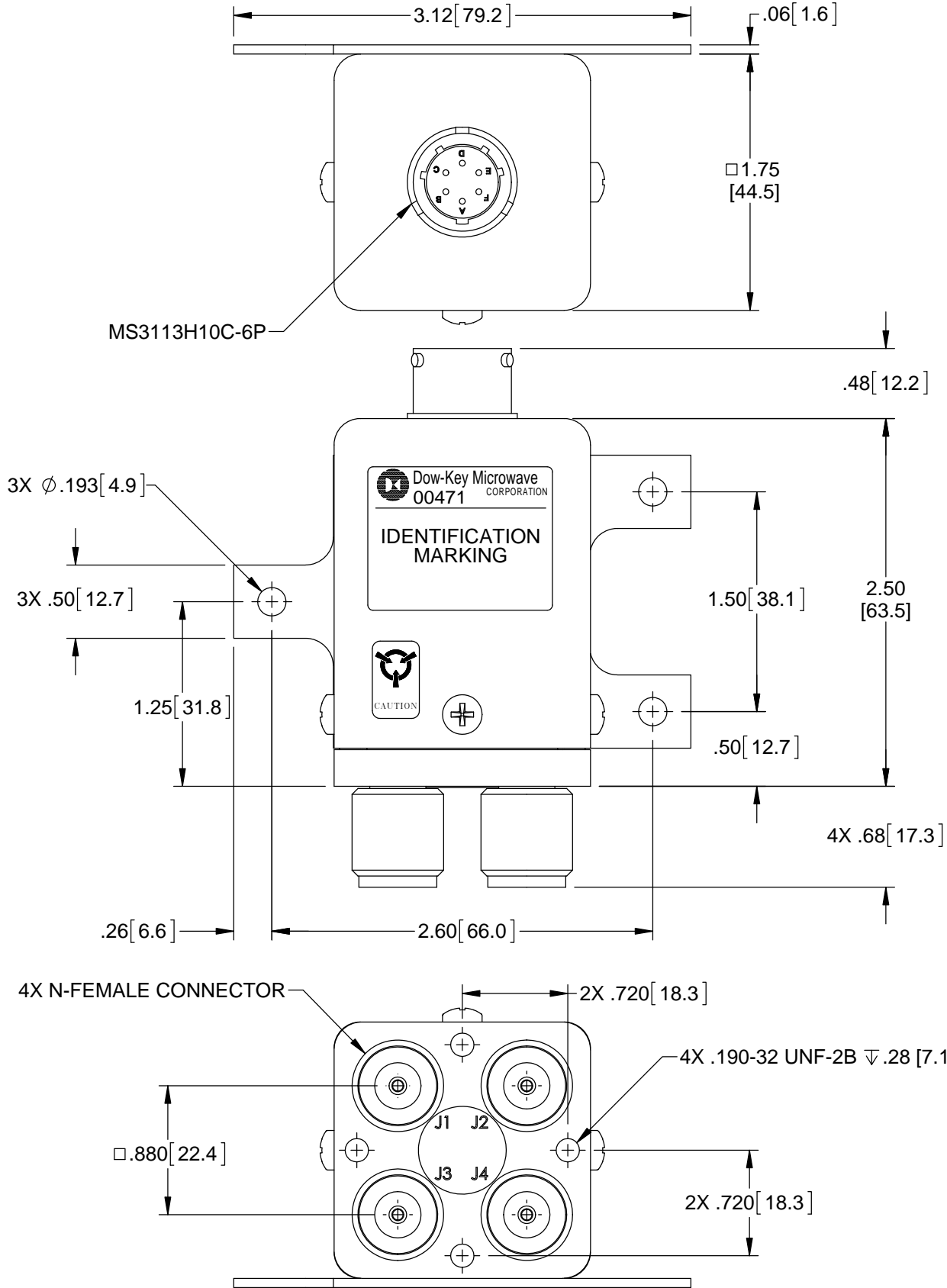


REVISIONS			
REV.	DESCRIPTION	DATE	APPROVED
A	PRODUCTION RELEASE	10/13/15	K.R.

Nominal Coil Voltage	Part Number
12 Vdc	412P-6201
15 Vdc	412P-6901
24 Vdc	412P-6801
28 Vdc	412P-6301

REVISIONS	A	A	A				 DowKey[®] Microwave CORPORATION <small>A DOVER TECHNOLOGIES COMPANY</small>	4822 McGrath Street Ventura, CA. 93003-5641 PH: (805) 650-0260 FAX: (805) 650-1734
SHEET NO.	1	2	3					
APPROVALS			DATE			SWITCH, TRANSFER, FAILSAFE N-FEMALE CONNECTORS SUPPRESSION DIODES, MS3113H10C-6P		
DRAWN SARA LEE			10/08/15					
ENGINEERING G. WITTS			10/12/2015					
QUALITY S. LYNCH			10/12/2015					
MANUFACTURING R. GARCIA			10/13/2015					
CODE IDENT. NO.				DWG. NO.				
00471				412P-6X01				
SCALE		NONE		FINAL ASSY: 412P-6301			SHEET 1 OF 3	

OUTLINE DRAWING:



[] MILLIMETERS

UNLESS OTHERWISE SPECIFIED TOLERANCES ARE: .XXX ±.010 ANGLES: ±3° .XX ±.030	CODE IDENT. NO. 00471	DWG. NO. 412P-6X01	REV. A
	SCALE NONE	FINAL ASSY: 412P-6301	SHEET 2 OF 3

SPECIFICATION:

1.0 RF CHARACTERISTICS:

1.1 FREQUENCY (GHz)	DC - 1	1 - 2	2 - 4	4 - 8	8 - 12.4
1.2 VSWR (RATIO MAX)	1.15:1	1.20:1	1.25:1	1.45:1	1.60:1
1.3 INSERTION LOSS (dB MAX)	0.15	0.20	0.25	0.40	0.60
1.4 ISOLATION (dB MIN)	85	80	70	60	60
1.5 RF POWER (WATTS CW MAX) AT SEA LEVEL, +25°C, LOAD VSWR 1:1	600	400	300	225	175
1.6 IMPEDANCE (NOMINAL)	50 OHMS				

2.0 ACTUATION DATA:

2.1	NOMINAL VOLTAGE	OPERATING VOLTAGE	CURRENT (NOMINAL) @ NOMINAL VOLTAGE & 25°C
	12	11-14	300mA
	15	13-17	250mA
	24	20-28	190mA
	28	24-32	175mA

2.2 SWITCHING TIME 20mS MAX
2.3 OPERATING MODE FAILSAFE

3.0 MECHANICAL:

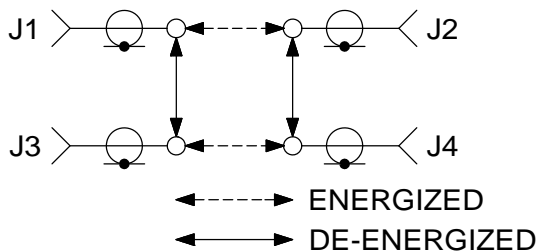
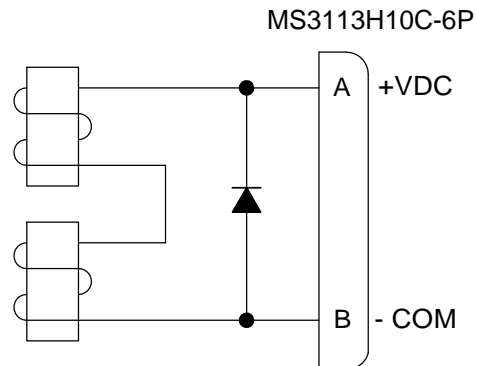
3.1 CONTACT ARRANGEMENT TRANSFER
3.2 RF CONTACTS BREAK BEFORE MAKE
3.3 WEIGHT 10oz (284g) NOMINAL
3.4 DESIGN LIFE 1,000,000 CYCLES MINIMUM

4.0 ENVIRONMENTAL:

4.1 OPERATING TEMPERATURE -25°C TO +65°C
4.2 STORAGE TEMPERATURE -55°C TO +85°C
4.3 SEAL: SAND AND DUST

SCHEMATIC:

MS3113H10C-6P	
PIN NO.	FUNCTION
A	+VDC
B	DC RTN
C - F	NO CONNECT



CODE IDENT. NO. 00471	DWG. NO. 412P-6X01	REV. A
SCALE NONE	FINAL ASSY: 412P-6301	SHEET 3 OF 3