
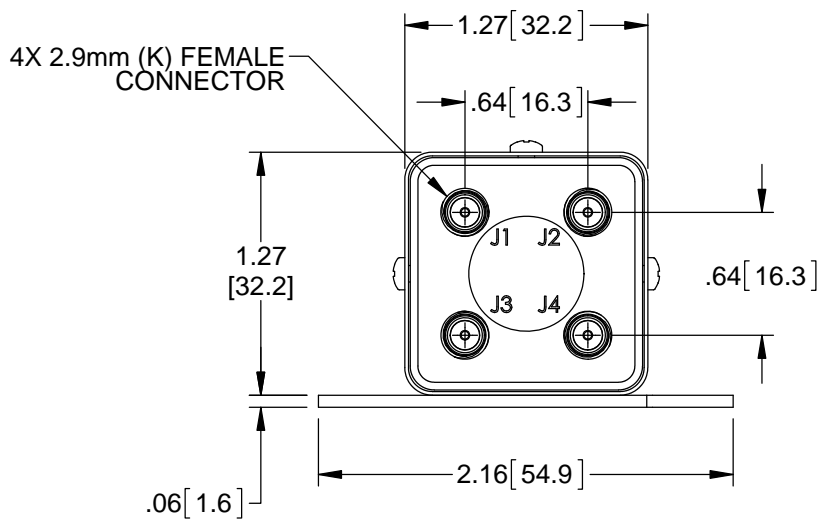
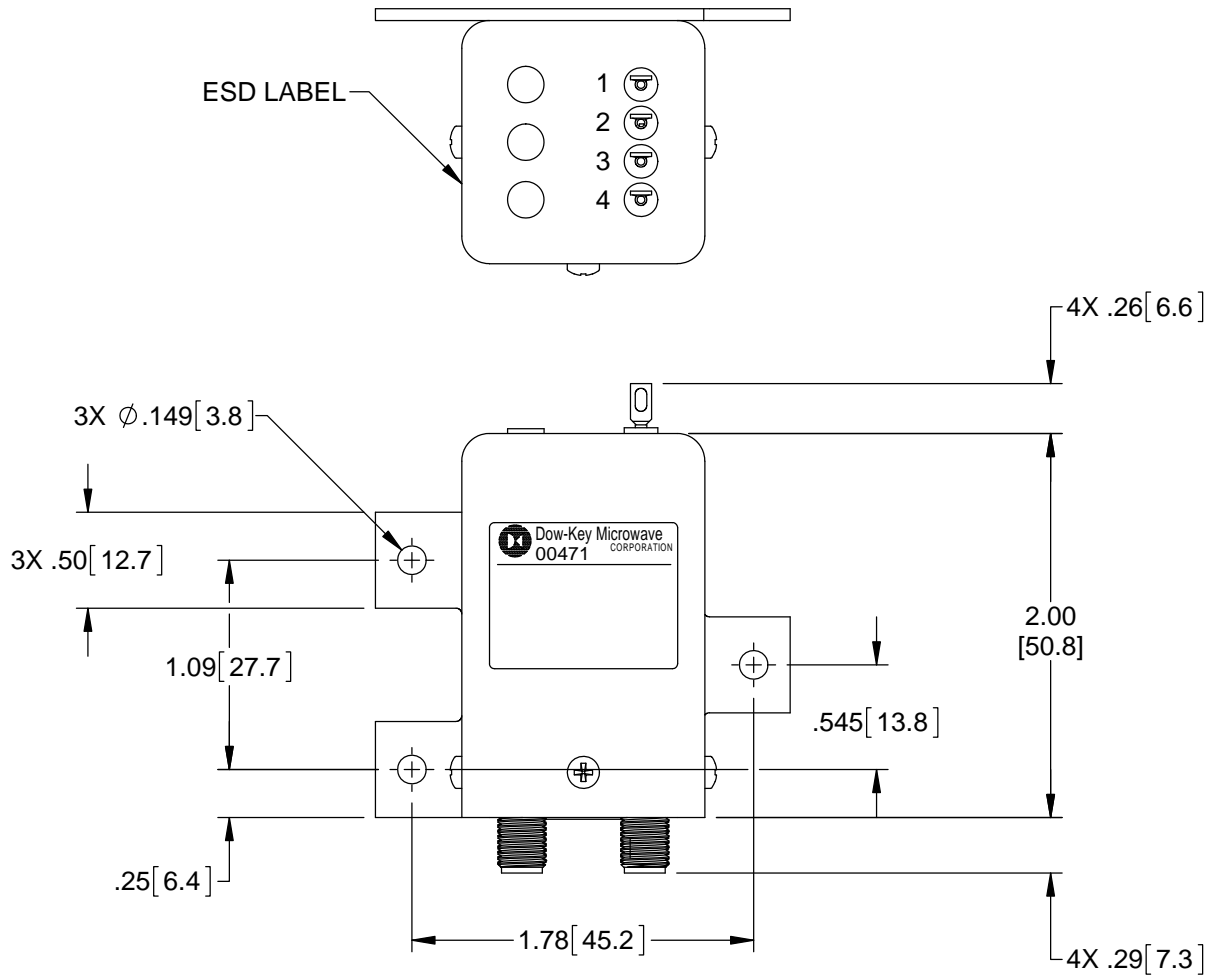


REVISIONS			
REV.	DESCRIPTION	DATE	APPROVED
A	PRODUCTION RELEASE	08/31/06	A.L.
B	REVISED PER ECO 11496	7/11/16	K.R.

Nominal Coil Voltage	Part Number
12 Vdc	411CY-4211
15 Vdc	411CY-4911
24 Vdc	411CY-4811
28 Vdc	411CY-4311

REVISIONS	B	B	B				 <b>DowKey<sup>®</sup> Microwave</b> CORPORATION <small>A DOVER TECHNOLOGIES COMPANY</small>	4822 McGrath Street Ventura, CA. 93003-5641 PH: (805) 650-0260 FAX: (805) 650-1734
SHEET NO.	1	2	3					
APPROVALS			DATE			<b>SWITCH, TRANSFER, LATCHING SELF CUT-OFF 2.9mm (K) FEMALE CONNECTORS MOUNTING BRACKET, 40 GHz</b>		
DRAWN SARA LEE			6/30/2016					
ENGINEERING J. WESSELY			7/7/2016					
QUALITY S. LYNCH			7/7/2016					
MANUFACTURING J. LEE			7/8/2016					
CODE IDENT. NO.				DWG. NO.				
00471				411CY-4X11				
SCALE		NONE		FINAL ASSY:		SHEET 1 OF 3		

# OUTLINE DRAWING:



[ ] MILLIMETERS

UNLESS OTHERWISE SPECIFIED TOLERANCES ARE: .XXX ±.010 ANGLES: ±3° .XX ±.030	CODE IDENT. NO. <b>00471</b>	DWG. NO. <b>411CY-4X11</b>	REV. <b>B</b>
	SCALE NONE	FINAL ASSY:	SHEET 2 OF 3

# SPECIFICATION:

## 1.0 RF CHARACTERISTICS:

1.1 FREQUENCY (GHz)	DC - 6	6 - 12	12 - 18	18 - 26.5	26.5 - 40
1.2 VSWR (RATIO MAX)	1.30:1	1.40:1	1.50:1	1.70:1	1.90:1
1.3 INSERTION LOSS (dB MAX)	0.30	0.40	0.50	0.70	0.90
1.4 ISOLATION (dB MIN)	70	65	60	55	55
1.5 RF POWER (WATTS CW MAX) AT SEA LEVEL, +40°C, LOAD VSWR 1:1	80	60	50	25	10
1.6 IMPEDANCE (NOMINAL)	50 OHMS				

## 2.0 ACTUATION DATA:

2.1	NOMINAL VOLTAGE	OPERATING VOLTAGE	CURRENT (NOMINAL) @ NOMINAL VOLTAGE & 25°C
	12	11-14	300mA
	15	13-17	270mA
	24	20-28	165mA
	28	24-32	130mA

2.2 SWITCHING TIME: 20mS MAX  
 2.3 OPERATING MODE: LATCHING SELF CUT-OFF

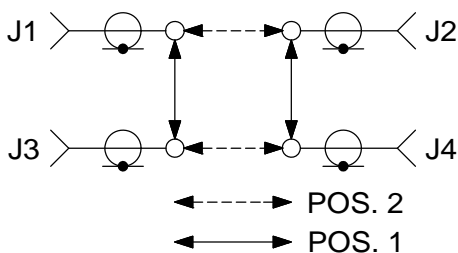
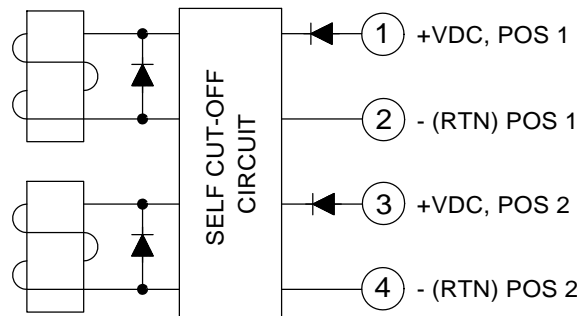
## 3.0 MECHANICAL:

3.1 CONTACT ARRANGEMENT: TRANSFER  
 3.2 RF CONTACTS: BREAK BEFORE MAKE  
 3.3 WEIGHT: 3.6oz (102g) NOMINAL  
 3.4 DESIGN LIFE: 1,000,000 CYCLES MINIMUM

## 4.0 ENVIRONMENTAL:

4.1 OPERATING TEMPERATURE: -25°C TO +65°C  
 4.2 STORAGE TEMPERATURE: -55°C TO +85°C  
 4.3 SEAL: SAND AND DUST

# SCHEMATIC:



CODE IDENT. NO. <b>00471</b>	DWG. NO. <b>411CY-4X11</b>	REV. <b>B</b>
SCALE NONE	FINAL ASSY:	SHEET 3 OF 3