

REVISIONS			
REV.	DESCRIPTION	DATE	APPROVED
C	REVISED AND REDRAWN PER ECO #9350	7/01/08	K.R.
D	REVISED PER ECO #10408	7/19/12	K.R.

Nominal Coil Voltage	Part Number
12 Vdc	402A-2201
15 Vdc	402A-2901
24 Vdc	402A-2801
28 Vdc	402A-2301

REVISIONS	D	D	D			
SHEET NO.	1	2	3			
APPROVALS			DATE			
DRAWN S. LEE			6/30/08			
ENG G. NICKLAUS			7/01/08			
ENG. MGR. R. SZNUK			7/01/08			
SALES MGR. A. CHEUNG			7/01/08			
Q.A. MGR. N. SANDERS			7/01/08			
MFG. MGR. R. GONZALEZ			7/01/08			



DowKey®
Microwave
CORPORATION

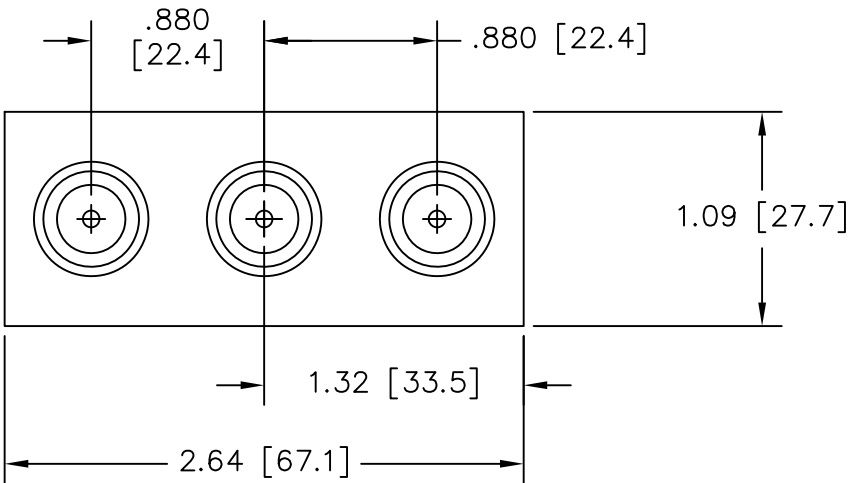
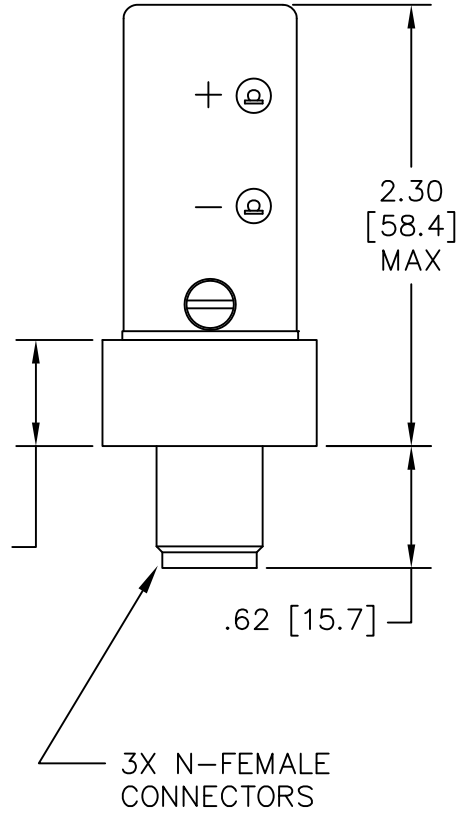
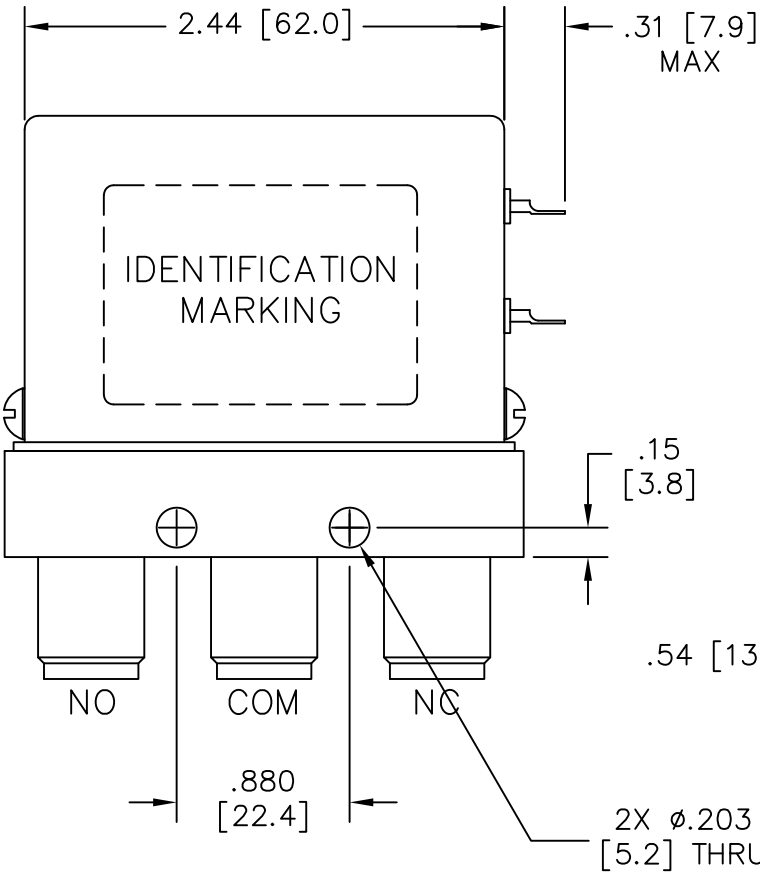
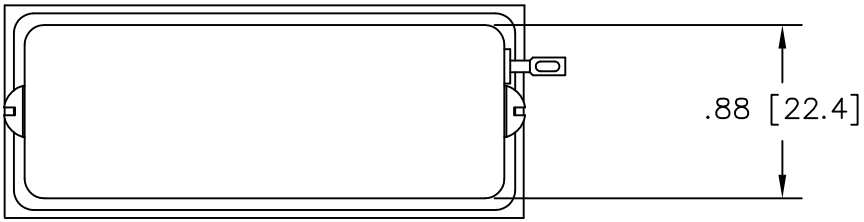
4822 McGrath Street
Ventura, CA. 93003-5641
PH: (805) 650-0260
FAX: (805) 650-1734

A **DOVER** TECHNOLOGIES COMPANY

SWITCH, SPDT, FAILSAFE
HI-POWER N-FEMALE CONNECTORS,

CODE IDENT. NO. 00471	DWG. NO. 402A-2X01	SCALE NONE	FINAL ASSY:	SHEET 1 OF 3
--------------------------	-----------------------	------------	-------------	--------------

OUTLINE DRAWING:



[] MILLIMETERS

UNLESS OTHERWISE SPECIFIED TOLERANCES ARE:
 .XXX ±.010 ANGLES: ±3'
 .XX ±.030

CODE IDENT. NO.
 00471

DWG. NO.

402A-2X01

REV.
 D

SCALE NONE

SHEET 2 OF 3

SPECIFICATIONS:

1. RF CHARACTERISTICS:

1.1 FREQUENCY (GHz):	DC-1	1-2	2-4	4-8	8-12.4
1.2 VSWR (RATIO MAX):	1.15:1	1.20:1	1.25:1	1.45:1	1.50:1
1.3 INSERTION LOSS (dB MAX):	0.15	0.20	0.25	0.40	0.50
1.4 ISOLATION (dB MIN):	85	80	70	60	60
1.5 RF POWER (WATTS CW MAX):	1000	800	550	400	350

2. ACTUATION DATA:

2.1	NOMINAL VOLTAGE	OPERATING VOLTAGE	CURRENT (TYP)
			@ NOMINAL VOLTAGE & 25°C
	12Vdc	11-14	260mA
	15Vdc	13-17	230mA
	24Vdc	20-28	145mA
	28Vdc	24-32	110mA

2.2 SWITCHING TIME:	20mS MAX
2.3 OPERATING MODE:	FAILSAFE

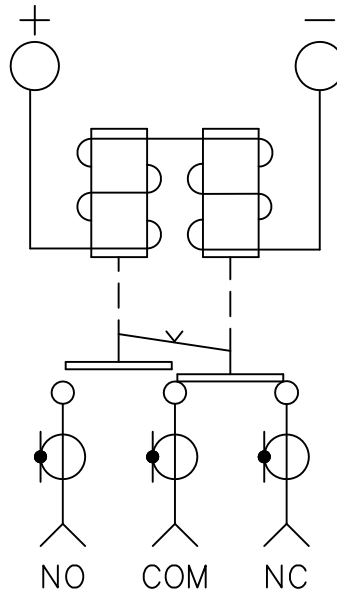
3. MECHANICAL:

3.1 RF CONTACTS:	BREAK BEFORE MAKE
3.2 WEIGHT:	7.2oz. (205g.) NOMINAL
3.3 DESIGN LIFE:	1,000,000 CYCLES MIN

4. ENVIRONMENTAL:

4.1 OPERATING TEMPERATURE:	-25°C TO +65°C
4.2 STORAGE TEMPERATURE:	-55°C TO +85°C
4.3 SEAL:	GASKET

SCHEMATIC:



CODE IDENT. NO. 00471	DWG. NO. 402A-2X01	REV. D
SCALE NONE	SHEET 3 OF 3	