
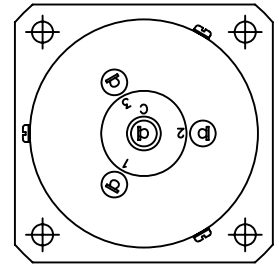
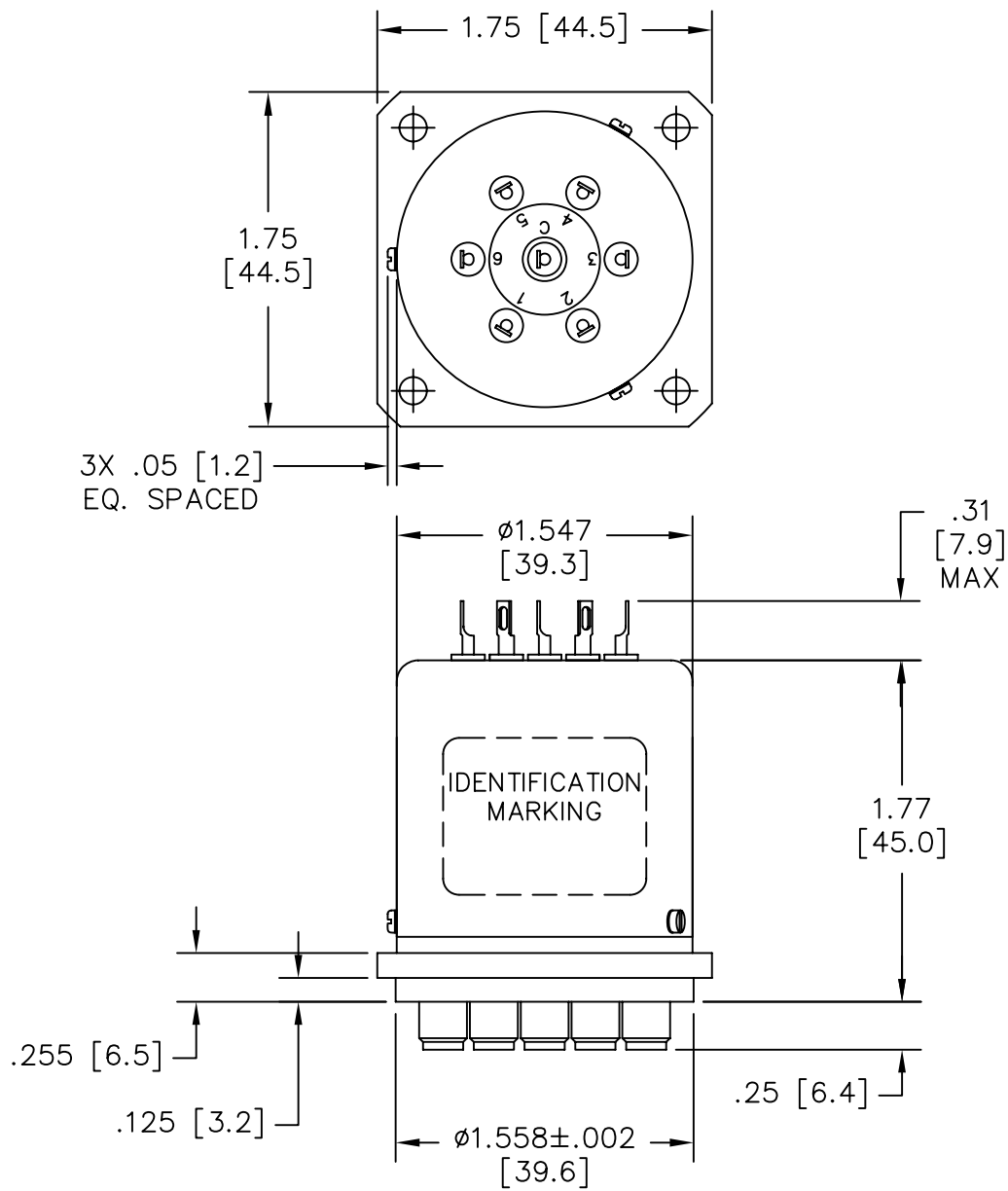


REVISIONS			
REV.	DESCRIPTION	DATE	APPROVED
A	PRODUCTION RELEASE	8/31/06	A.L.
B	REVISED PER ECO #9777	1/20/10	K.R.
C	REVISED PER ECO #10112	5/19/11	K.R.

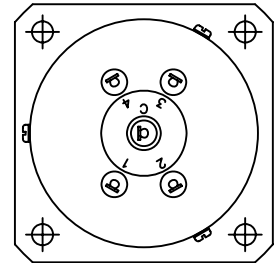
Nominal Coil Voltage	Part Number		
	SP3T	SP4T	SP6T
12 Vdc	535Y-5211	545Y-5211	565Y-5211
15 Vdc	535Y-5911	545Y-5911	565Y-5911
24 Vdc	535Y-5811	545Y-5811	565Y-5811
28 Vdc	535Y-5311	545Y-5311	565Y-5311

REVISIONS	C	C	C				 <b>DowKey<sup>®</sup> Microwave CORPORATION</b>	4822 McGrath Street Ventura, CA. 93003-5641 PH: (805) 650-0260 FAX: (805) 650-1734
SHEET NO.	1	2	3					
APPROVALS		DATE					<b>A <del>DOVER</del> TECHNOLOGIES COMPANY</b>  SWITCH, 3-6 POSITION, NORMALLY OPEN 2.9mm (K) FEMALE CONNECTORS 40 GHz	
DRAWN	S. LEE	2/22/06						
ENG	G. NICKLAUS	3/21/06						
ENG. MGR.	R. SZNUK	3/21/06						
SALES MGR.	L. NEELEY	3/28/06						
Q.A. MGR.	R. MATSUMOTO	3/23/06						
MFG. MGR.	R. GONZALEZ	3/23/06					CODE IDENT. NO. 00471	DWG. NO. 5X5Y-5X11
		SCALE	NONE	FINAL ASSY:			SHEET 1 OF 3	

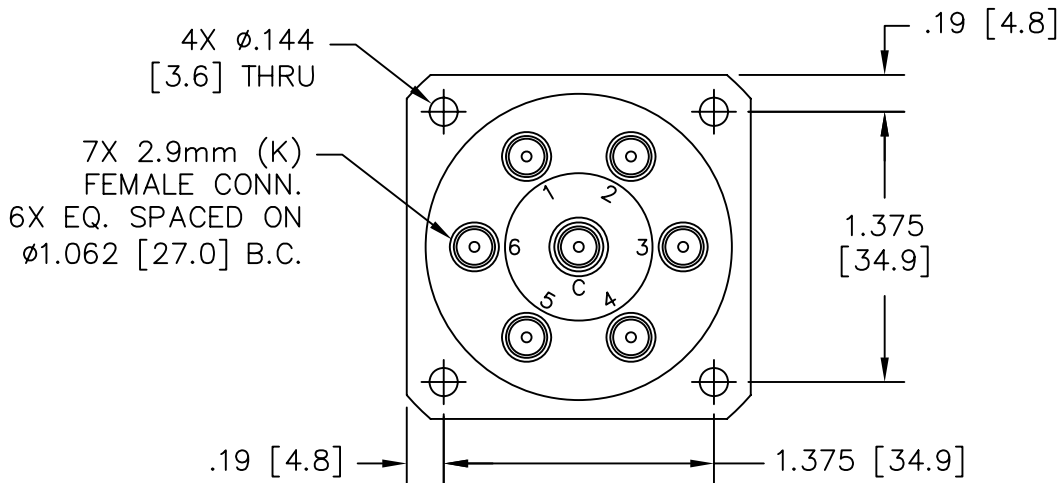
**OUTLINE DRAWING:**



**3 POSITION**



**4 POSITION**



[ ] MILLIMETERS

UNLESS OTHERWISE SPECIFIED TOLERANCES ARE:  
 .XXX  $\pm .010$  ANGLES:  $\pm 3^\circ$   
 .XX  $\pm .030$

CODE IDENT. NO. 00471	DWG. NO. 5X5Y-5X11	REV. C
SCALE NONE	SHEET 2 OF 3	

## SPECIFICATIONS:

### 1. RF CHARACTERISTICS:

1.1 FREQUENCY (GHz):	DC-6	6-12	12-18	18-26.5	26.5-40
1.2 VSWR (RATIO MAX):	1.30:1	1.40:1	1.50:1	1.70:1	1.95:1
1.3 INSERTION LOSS (dB MAX):	0.30	0.40	0.50	0.70	0.95
1.4 ISOLATION (dB MIN):	70	60	60	55	50
1.5 RF POWER (WATTS CW MAX):	40	30	25	15	8

RF POWER TEST CONDITIONS - SEA LEVEL, +25°C, LOAD VSWR 1:1

### 2. ACTUATION DATA:

NOMINAL VOLTAGE	OPERATING VOLTAGE	CURRENT (TYP)
		@ NOMINAL VOLTAGE & 25°C
12	11-14	335mA
15	13-17	280mA
24	20-28	190mA
28	24-32	160mA

- 2.2 SWITCHING TIME: 20ms MAX  
 2.3 OPERATING MODE: NORMALLY OPEN

### 3. MECHANICAL:

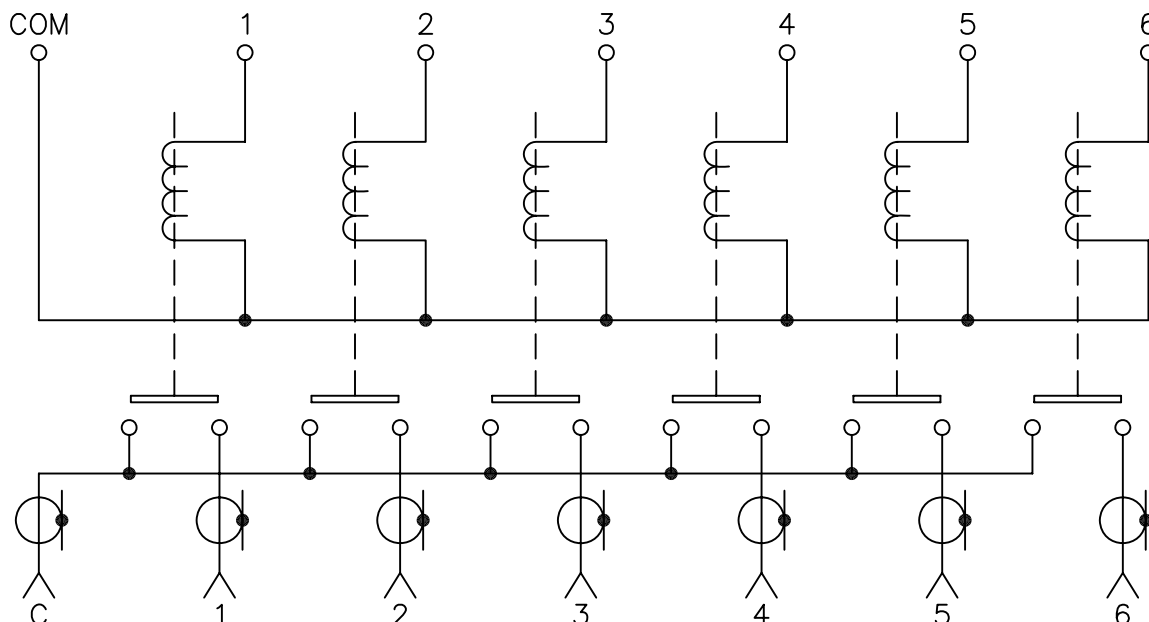
- 3.1 RF CONTACTS: BREAK BEFORE MAKE  
 3.2 WEIGHT: 4.0oz. (113g.) NOMINAL  
 3.3 DESIGN LIFE: 1,000,000 CYCLES MIN

### 4. ENVIRONMENTAL:

- 4.1 OPERATING TEMPERATURE: -25°C TO +65°C  
 4.2 STORAGE TEMPERATURE: -55°C TO +85°C  
 4.3 SEAL: SAND AND DUST

## SCHEMATIC:

TERMINALS ARE NOT POLARITY SENSITIVE



CODE IDENT. NO. 00471	DWG. NO. 5X5Y-5X11	REV. C
SCALE NONE	SHEET 3 OF 3	