

REVISIONS			
REV.	DESCRIPTION	DATE	APPROVED
G	REVISED PER ECO #6578	3/31/01	J.S.
H	REVISED PER ECO #7930	10/4/04	J.S.
J	REVISED PER ECO 10835	6/4/14	K.R.

Nominal Coil Voltage	Part Number
12 Vdc	412-2201
15 Vdc	412-2901
24 Vdc	412-2801
28 Vdc	412-2301
110 Vac	412-2601

REVISIONS	J	J	J			
SHEET NO.	1	2	3			
APPROVALS			DATE			
DRAWN	S. LEE		9/9/04			
ENG	S. LEE		9/9/04			
ENG. MGR.	G. NICKLAUS		9/13/04			
SALES MGR.	J. TRUJILLO		10/1/04			
Q.A. MGR.	S. EVERETT		10/1/04			
MFG. MGR.	R. GONZALEZ		9/13/04			



**DowKey®**  
**Microwave**  
CORPORATION

4822 McGrath Street  
Ventura, CA. 93003-5641  
PH: (805) 650-0260  
FAX: (805) 650-1734

A DOVER TECHNOLOGIES COMPANY

SWITCH, TRANSFER FAILSAFE,  
N-FEMALE CONNECTORS,

CODE IDENT. NO.

00471

DWG. NO.

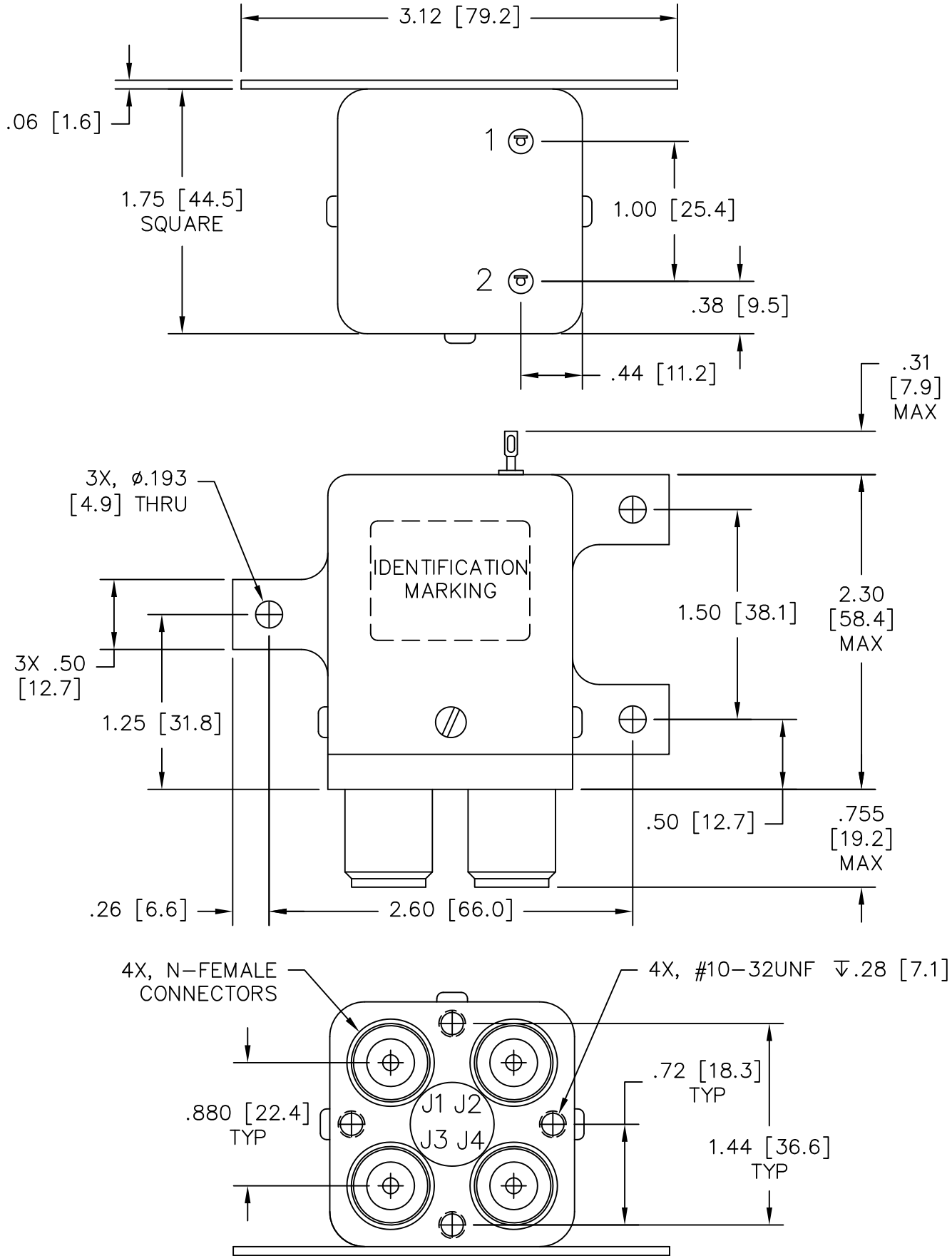
412-2X01

SCALE NONE

FINAL ASSY:

SHEET 1 OF 3

**OUTLINE DRAWING:**



[ ] MILLIMETERS

UNLESS OTHERWISE SPECIFIED TOLERANCES ARE:  
 .XXX ±.010 ANGLES: ±3°  
 .XX ±.030

CODE IDENT. NO.  
00471

DWG. NO.  
412-2X01

REV.  
J

SCALE NONE

SHEET 2 OF 3

**SPECIFICATIONS:**

**1. RF CHARACTERISTICS:**

1.1 FREQUENCY (GHz):	0-1	1-2	2-4	4-8	8-12.4
1.2 VSWR (RATIO MAX):	1.15:1	1.20:1	1.25:1	1.45:1	1.60:1
1.3 INSERTION LOSS (dB MAX):	0.15	0.20	0.25	0.40	0.60
1.4 ISOLATION (dB MIN):	85	80	70	60	60
1.5 RF POWER WATTS CW MAX):	500	350	250	150	120

**2. ACTUATION DATA:**

2.1	NOMINAL VOLTAGE	OPERATING VOLTAGE	CURRENT (TYP)
			@ NOMINAL VOLTAGE & 25°C
	12Vdc	11-14	300mA
	15Vdc	13-17	275mA
	24Vdc	24-32	190mA
	28Vdc	24-32	175mA
	110Vac	95-135	55mA

- 2.2 SWITCHING TIME: 20mS MAX  
 2.3 OPERATING MODE: FAILSAFE

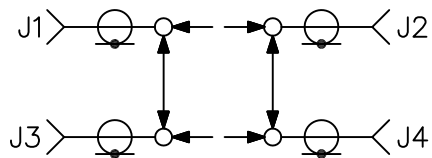
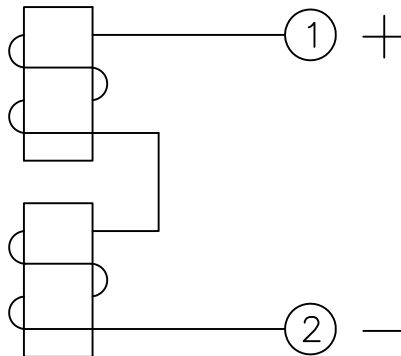
**3. MECHANICAL:**

- 3.1 RF CONTACTS: BREAK BEFORE MAKE  
 3.2 WEIGHT, NOMINAL: 9.7oz. (275g.) NOMINAL  
 3.3 DESIGN LIFE: 1,000,000 CYCLES MIN

**4. ENVIRONMENTAL:**

- 4.1 OPERATING TEMPERATURE: -25°C TO +65°C  
 4.2 STORAGE TEMPERATURE: -55°C TO +85°C  
 4.3 SEAL: SAND AND DUST

**SCHEMATIC:**



← -- → ENERGIZED  
 ← → DE-ENERGIZED

CODE IDENT. NO. 00471	DWG. NO. 412-2X01	REV. J
SCALE NONE	SHEET 3 OF 3	