
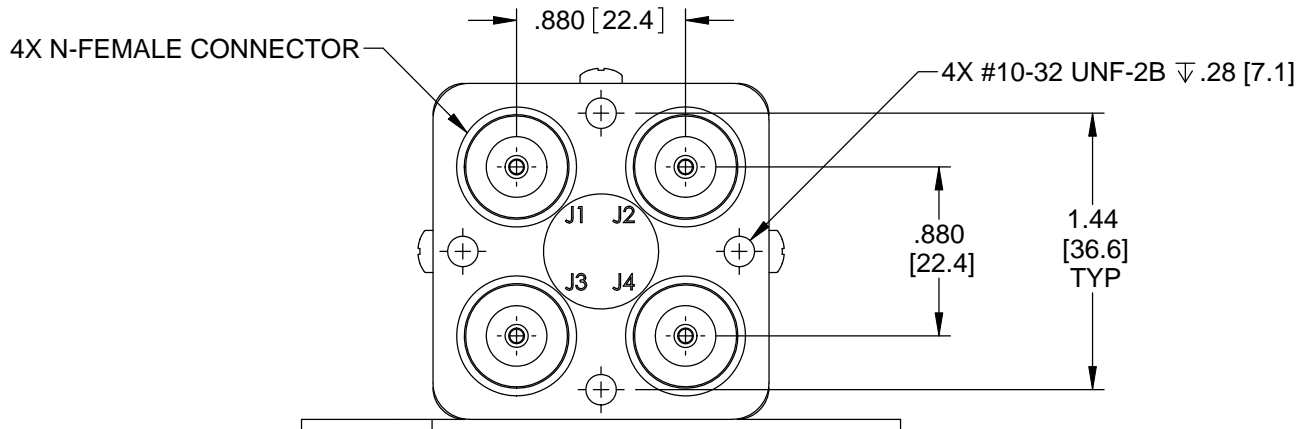
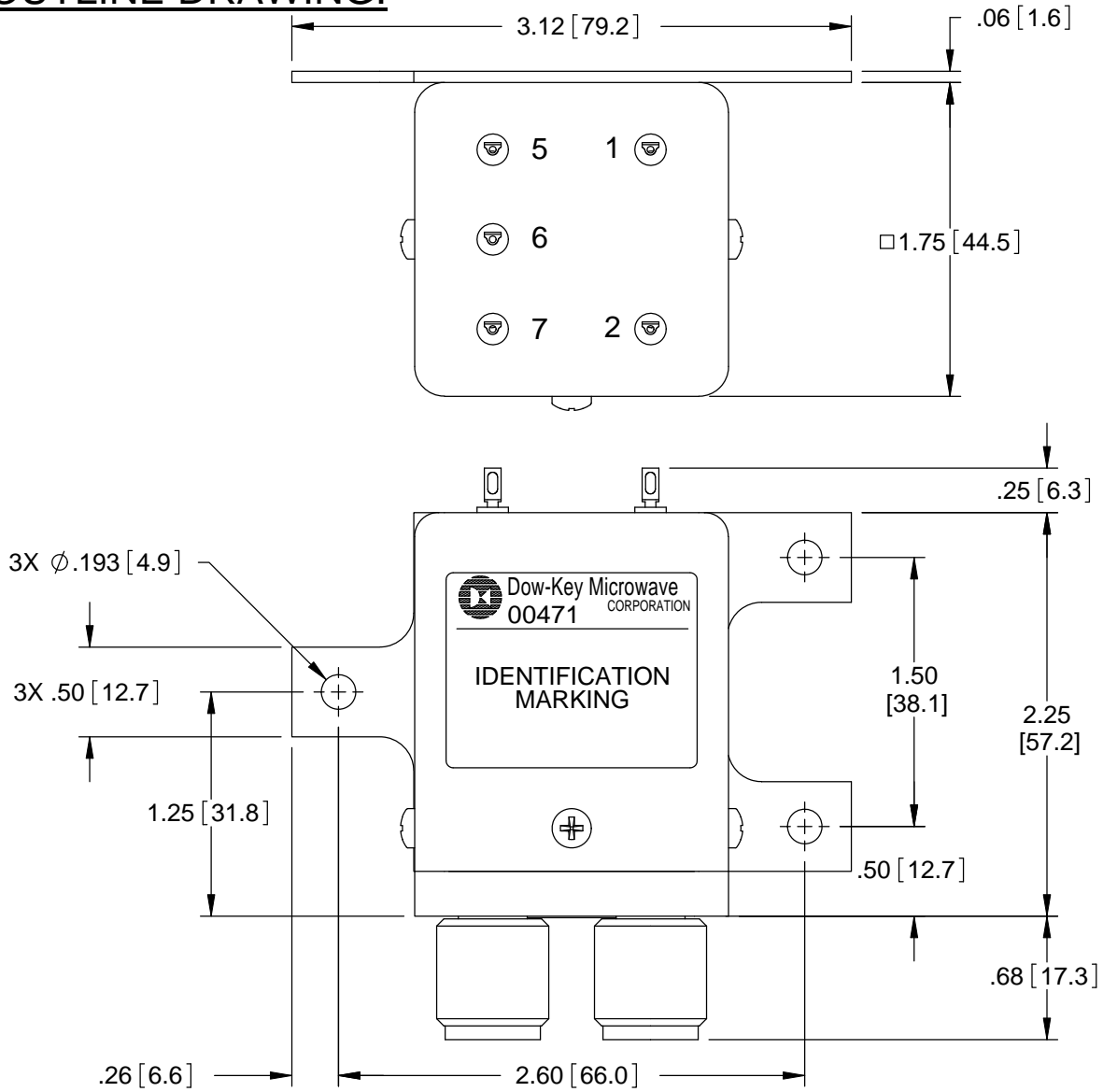


REVISIONS			
REV.	DESCRIPTION	DATE	APPROVED
G	REVISED PER ECO 9749	12/10/09	K.R.
H	REVISED AND REDRAWN PER ECO 11232	6/2/15	K.R.

Nominal Coil Voltage	Part Number
12 Vdc	412-220132
15 Vdc	412-290132
24 Vdc	412-280132
28 Vdc	412-230132

REVISIONS	H	H	H				 <b>DowKey® Microwave</b> CORPORATION <small>A DOVER TECHNOLOGIES COMPANY</small>	4822 McGrath Street Ventura, CA. 93003-5641 PH: (805) 650-0260 FAX: (805) 650-1734
SHEET NO.	1	2	3					
APPROVALS			DATE				<b>SW, TRANSFER FAILSAFE N-FEMALE CONNECTORS MECHANICAL INDICATORS</b>	
DRAWN SARA LEE			4/15/08					
ENGINEERING T. JOHNSON			6/2/2015					
QUALITY R. SZNUK			4/16/08					
MANUFACTURING V. HARTER			4/16/08					
CODE IDENT. NO.						DWG. NO.		
<b>00471</b>						<b>412-2X0132</b>		
SCALE NONE				FINAL ASSY: 412-230132			SHEET 1 OF 3	

# OUTLINE DRAWING:



[ ] MILLIMETERS

UNLESS OTHERWISE SPECIFIED TOLERANCES ARE: .XXX $\pm$ .010 ANGLES: $\pm$ 3° .XX $\pm$ .030	CODE IDENT. NO. <b>00471</b>	DWG. NO. <b>412-2X0132</b>	REV. <b>H</b>
	SCALE NONE	FINAL ASSY: 412-230132	SHEET 2 OF 3

# SPECIFICATION:

## 1.0 RF CHARACTERISTICS:

1.1 FREQUENCY (GHz)	DC - 1	1 - 2	2 - 4	4 - 8	8 - 12.4
1.2 VSWR (RATIO MAX)	1.15:1	1.20:1	1.25:1	1.45:1	1.60:1
1.3 INSERTION LOSS (dB MAX)	0.15	0.20	0.25	0.40	0.60
1.4 ISOLATION (dB MIN)	85	80	70	60	60
1.5 RF POWER (WATTS CW MAX)	600	400	300	225	175
1.6 IMPEDANCE (NOMINAL)	50 OHMS				

## 2.0 ACTUATION DATA:

2.1	NOMINAL VOLTAGE	OPERATING VOLTAGE	CURRENT (TYP) @ NOMINAL VOLTAGE & 25 °C
	12	11-14	300mA
	15	13-17	250mA
	24	20-28	190mA
	28	24-32	175mA

2.2 SWITCHING TIME 15mS MAX  
 2.3 OPERATING MODE FAILSAFE

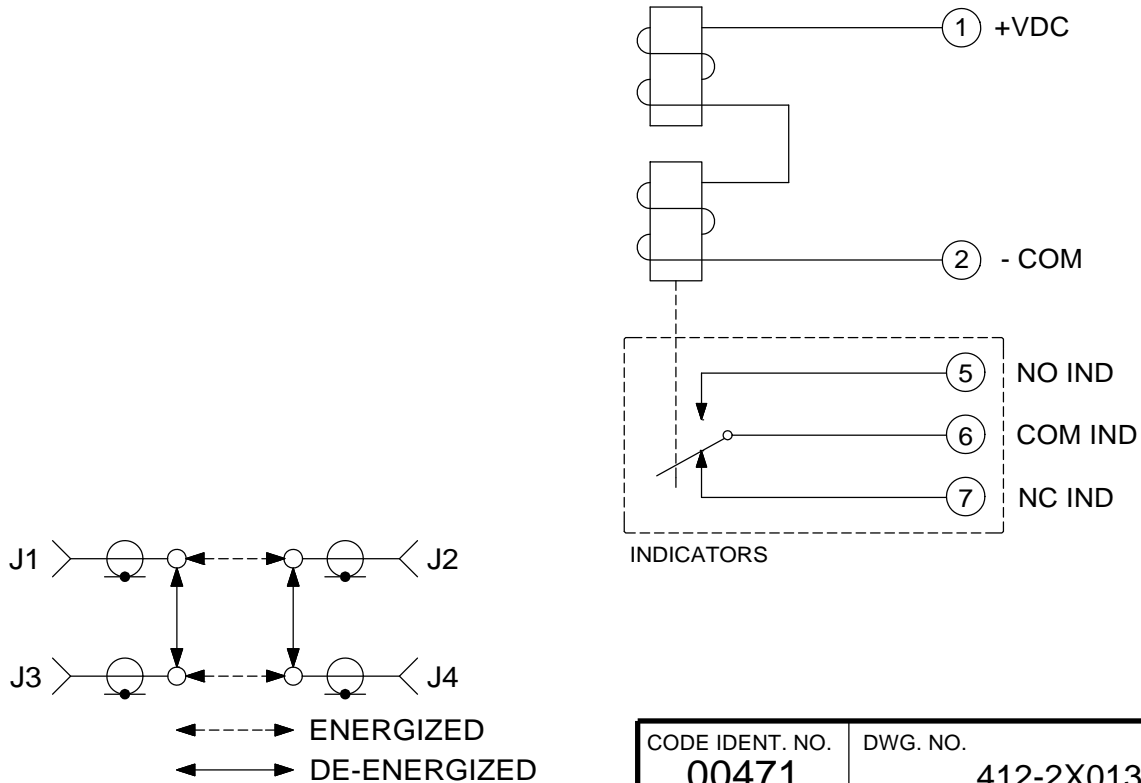
## 3.0 MECHANICAL:

3.1 CONTACT ARRANGEMENT TRANSFER  
 3.2 RF CONTACTS BREAK BEFORE MAKE  
 3.3 WEIGHT 10oz (284g) NOMINAL  
 3.4 DESIGN LIFE 1,000,000 CYCLES MINIMUM

## 4.0 ENVIRONMENTAL:

4.1 OPERATING TEMPERATURE -25 °C TO +65 °C  
 4.2 STORAGE TEMPERATURE -55 °C TO +85 °C  
 4.3 SEAL: SAND AND DUST

# SCHEMATIC:



CODE IDENT. NO. <b>00471</b>	DWG. NO. <b>412-2X0132</b>	REV. <b>H</b>
SCALE NONE	FINAL ASSY: 412-230132	SHEET 3 OF 3