
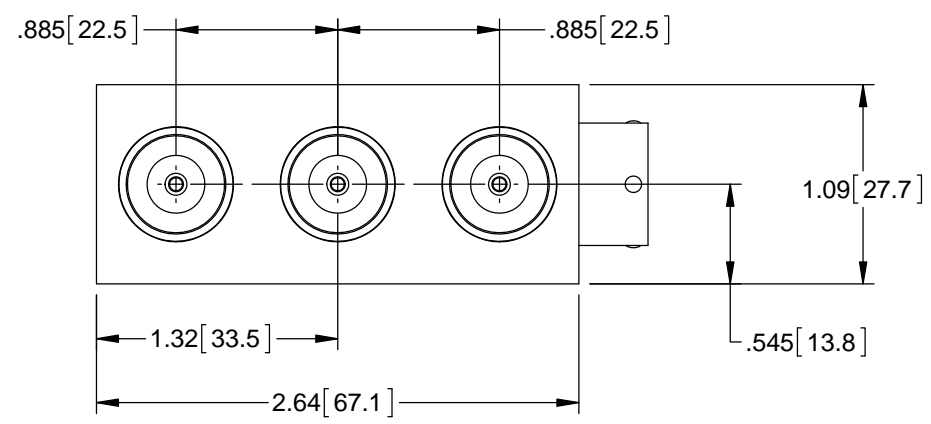
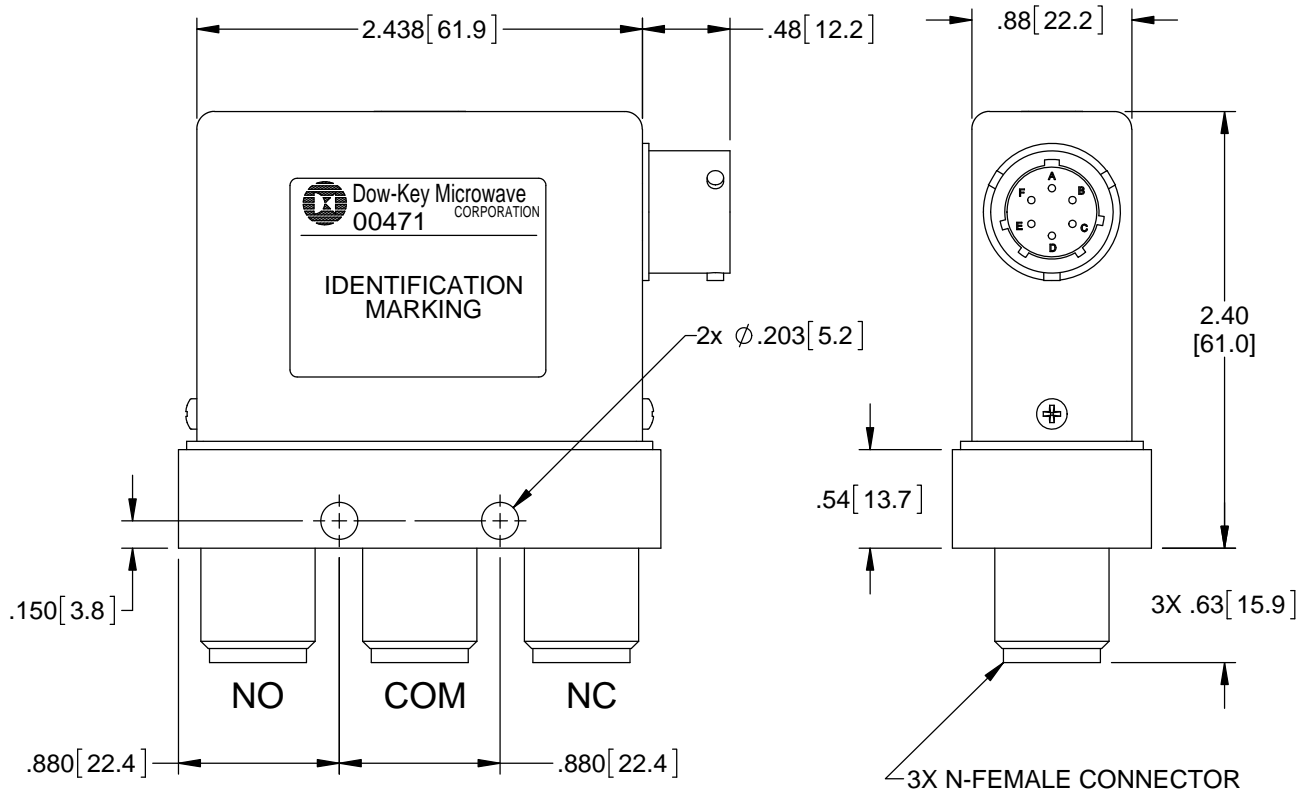
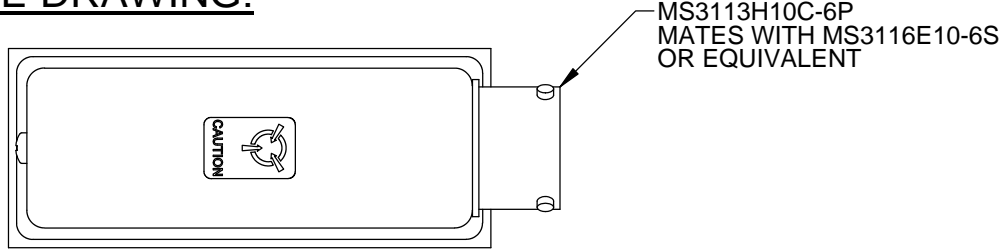


REVISIONS			
REV.	DESCRIPTION	DATE	APPROVED
A	PRODUCTION RELEASE	4/07/05	J.S.
B	REVISED PER ECO 11639	2/22/17	K.R.

Nominal Coil Voltage	Part Number
12 Vdc	402P-6201
15 Vdc	402P-6901
24 Vdc	402P-6801
28 Vdc	402P-6301

APPROVALS		DATE	 <p>4822 McGrath Street Ventura, CA. 93003-5641 PH: (805) 650-0260 FAX: (805) 650-1734</p>	
DRAWN	SARA LEE	2/15/2017		
ENGINEERING	T. JOHNSON	2/16/2017	<p align="center"><b>SWITCH, SPDT, FAILSAFE, SUPPRESSION DIODE N-FEMALE CONNECTORS MS3113H10C-6P DC CONNECTOR</b></p>	
QUALITY	S. LYNCH	2/21/2017		
MANUFACTURING	R. GARCIA	2/22/2017	CODE IDENT. NO.	DWG. NO.
			<b>00471</b>	<b>402P-6X01</b>
			SCALE NONE	SHEET 1 OF 3

# OUTLINE DRAWING:



[ ] MILLIMETERS

UNLESS OTHERWISE SPECIFIED TOLERANCES ARE: .XXX ±.010 ANGLES: ±3° .XX ±.030	CODE IDENT. NO.	DWG. NO.	REV.
	00471	402P-6X01	B
SCALE NONE			SHEET 2 OF 3

# SPECIFICATION:

## 1.0 RF CHARACTERISTICS:

1.1 FREQUENCY (GHz)	DC - 1	1 - 2	2 - 4	4 - 8	8 - 12.4
1.2 VSWR (RATIO MAX)	1.15:1	1.20:1	1.25:1	1.45:1	1.50:1
1.3 INSERTION LOSS (dB MAX)	0.15	0.20	0.25	0.40	0.50
1.4 ISOLATION (dB MIN)	85	80	70	60	60
1.5 RF POWER (WATTS CW MAX)	600	400	300	225	175
AT SEA LEVEL, +40°C, LOAD VSWR 1:1					
1.6 IMPEDANCE (NOMINAL)	50 OHMS				

## 2.0 ACTUATION DATA:

2.1	NOMINAL VOLTAGE	OPERATING VOLTAGE	CURRENT (NOMINAL) @ NOMINAL VOLTAGE & 25 °C
	12	11-14	260mA
	15	13-17	230mA
	24	20-28	145mA
	28	24-32	110mA

2.2 SWITCHING TIME 20mS MAX  
 2.3 OPERATING MODE FAILSAFE

## 3.0 MECHANICAL:

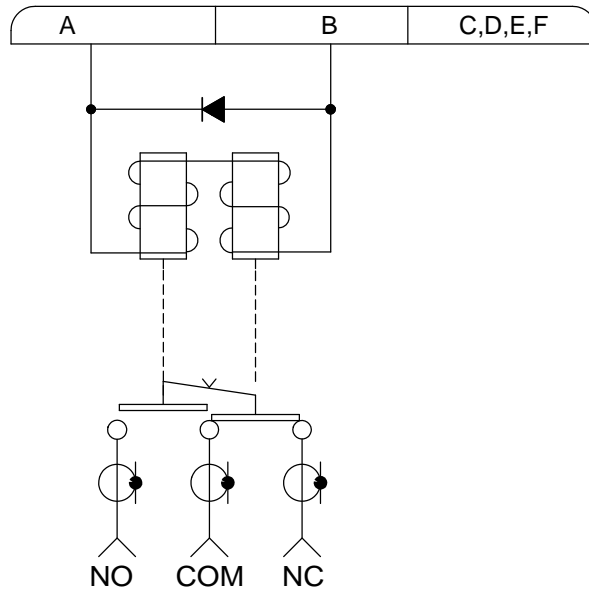
3.1 CONTACT ARRANGEMENT SPDT  
 3.2 RF CONTACTS BREAK BEFORE MAKE  
 3.3 WEIGHT 8.0oz (227g) NOMINAL  
 3.4 DESIGN LIFE 1,000,000 CYCLES MINIMUM

## 4.0 ENVIRONMENTAL:

4.1 OPERATING TEMPERATURE -25°C TO +65°C  
 4.2 STORAGE TEMPERATURE -55°C TO +85°C  
 4.3 SEAL: GASKET

# SCHEMATIC:

MS3113H10C-6P CONNECTOR



SWITCH SHOWN IN THE DE-ENERGIZED (FAILSAFE) POSITION

DC CONNECTOR PIN-OUT	
PIN	FUNCTION
A	+VDC
B	-RTN
C,D,E,F	NO CONNECT

CODE IDENT. NO. <b>00471</b>	DWG. NO. <b>402P-6X01</b>	REV. <b>B</b>
SCALE NONE	SHEET 3 OF 3	