
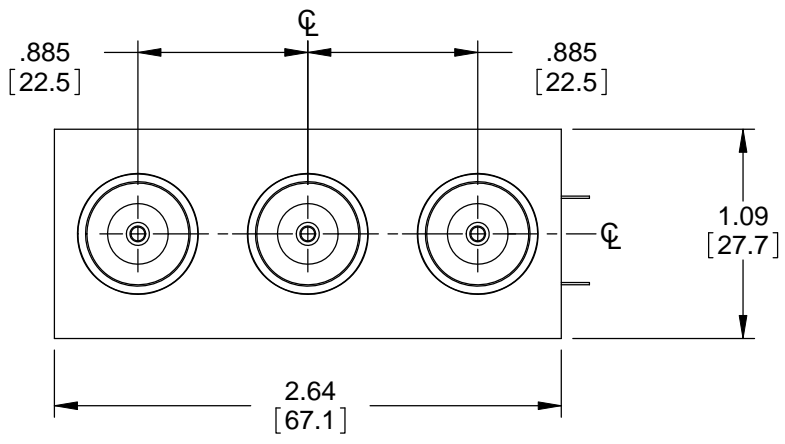
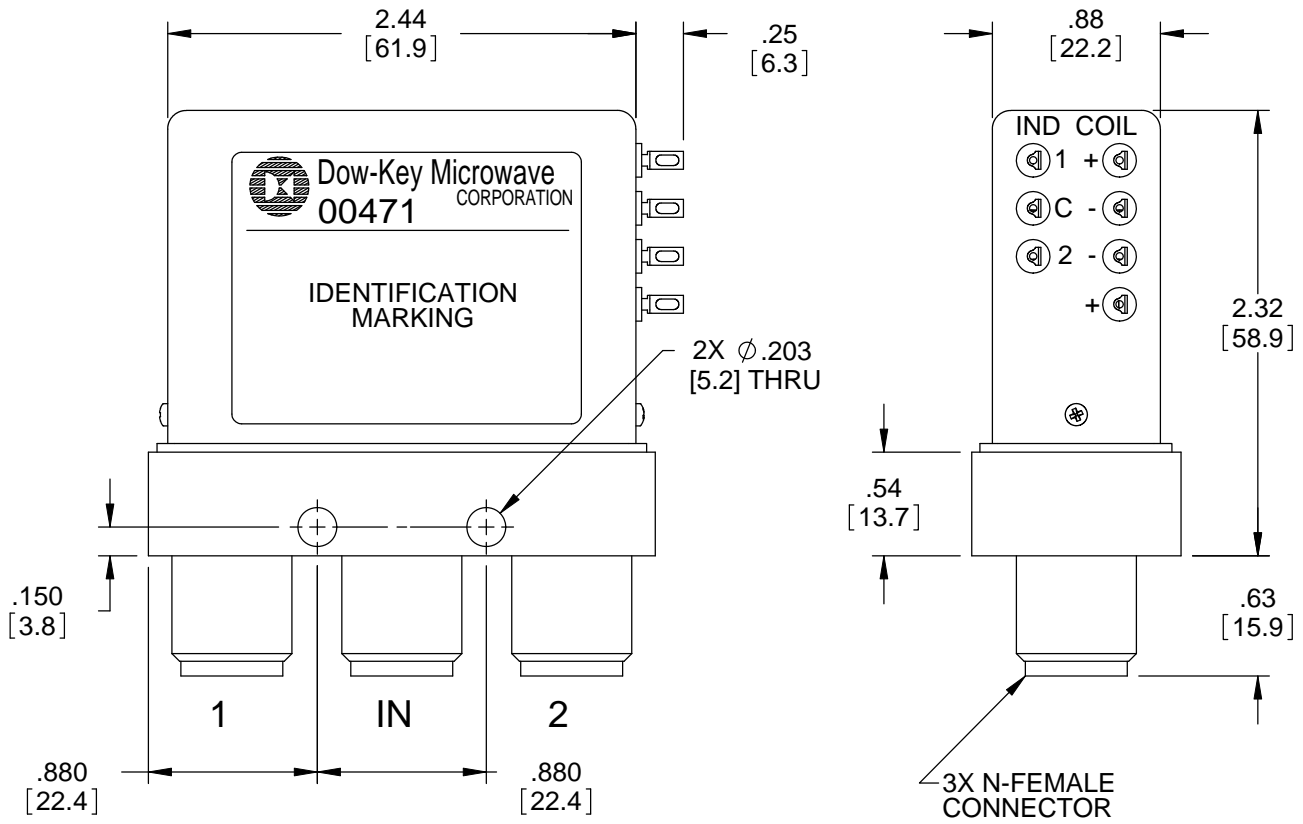
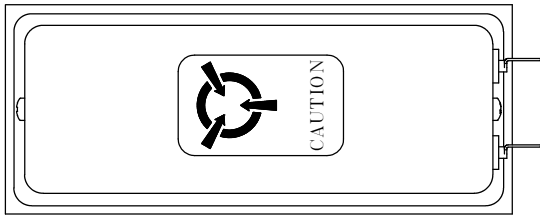


REVISIONS			
REV.	DESCRIPTION	DATE	APPROVED
B	REVISED PER ECO #6549	2/27/01	J.S.
C	REVISED PER ECO #10774	2/21/14	K.R.

Nominal Coil Voltage	Part Number
12 Vdc	402-420132
15 Vdc	402-490132
24 Vdc	402-480132
28 Vdc	402-430132

REVISIONS	C	C	C				 DowKey® Microwave CORPORATION <small>A DOVER TECHNOLOGIES COMPANY</small>	4822 McGrath Street Ventura, CA. 93003-5641 PH: (805) 650-0260 FAX: (805) 650-1734	
SHEET NO.	1	2	3						
APPROVALS			DATE			SW, SPDT, LATCHING SELF CUT-OFF N-FEMALE CONNECTORS, INDICATORS			
DRAWN SARA LEE			02/12/14						
ENGINEERING T. JOHNSON			2/19/2014						
QUALITY G. WAKEFIELD			2/20/2014						
MANUFACTURING J. LEE			2/20/2014			CODE IDENT. NO. 00471	DWG. NO. 402-4X0132	SCALE NONE FINAL ASSY: 402-430132	SHEET 1 OF 3

OUTLINE DRAWING:



[] MILLIMETERS

UNLESS OTHERWISE SPECIFIED TOLERANCES ARE: .XXX ±.010 ANGLES: ±3° .XX ±.030	CODE IDENT. NO. 00471	DWG. NO. 402-4X0132	REV. C
	SCALE NONE	FINAL ASSY: 402A-4801	SHEET 2 OF 3

SPECIFICATION:

1.0 RF CHARACTERISTICS:

1.1 FREQUENCY (GHz)	DC - 1	1 - 2	2 - 4	4 - 8	8 - 12.4
1.2 VSWR (RATIO MAX)	1.15:1	1.20:1	1.25:1	1.45:1	1.50:1
1.3 INSERTION LOSS (dB MIN)	0.15	0.20	0.25	0.40	0.50
1.4 ISOLATION (dB MIN)	85	80	70	60	60
1.5 RF POWER (WATTS CW MAX)	600	400	300	225	175
1.6 IMPEDANCE (NOMINAL)	50 OHMS				

2.0 ACTUATION DATA:

2.1	NOMINAL VOLTAGE	OPERATING VOLTAGE	CURRENT (TYP) @ NOMINAL VOLTAGE & 25°C
	12	11-14	300mA
	15	13-17	290mA
	24	20-28	165mA
	28	24-32	125mA

2.2 SWITCHING TIME 20mS MAX
 2.3 OPERATING MODE LATCHING SELF CUT-OFF

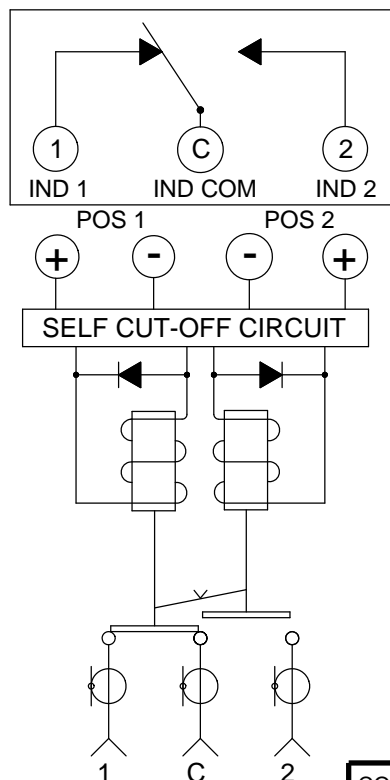
3.0 MECHANICAL:

3.1 CONTACT ARRANGEMENT SPDT
 3.2 RF CONTACTS BREAK BEFORE MAKE
 3.3 WEIGHT 7.5 oz (213g) NOMINAL
 3.4 DESIGN LIFE 1,000,000 CYCLES MINIMUM

4.0 ENVIRONMENTAL:

4.1 OPERATING TEMPERATURE -25°C TO +65°C
 4.2 STORAGE TEMPERATURE -45°C TO +85°C
 4.3 SEAL: GASKET

SCHEMATIC:



SWITCH SHOWN WITH POSITION 1 SELECTED

CODE IDENT. NO. 00471	DWG. NO. 402-4X0132	REV. C
SCALE NONE	FINAL ASSY: 402-430132	SHEET 3 OF 3