

REVISIONS			
REV.	DESCRIPTION	DATE	APPROVED
D	REVISED PER ECO #6209	6/26/00	J.S.
E	REVISED AND REDRAWN PER ECO #9898	7/16/10	J.S.

Nominal Coil Voltage	Part Number
12 Vdc	402-220132A
15 Vdc	402-290132A
24 Vdc	402-280132A
28 Vdc	402-230132A

REVISIONS	E	E	E			
SHEET NO.	1	2	3			
APPROVALS		DATE				
DRAWN SARA LEE		7/13/10				
ENGINEERING G. NICKLAUS		7/16/10				
QUALITY S. LYNCH		7/16/10				
MANUFACTURING J. LEE		7/16/10				



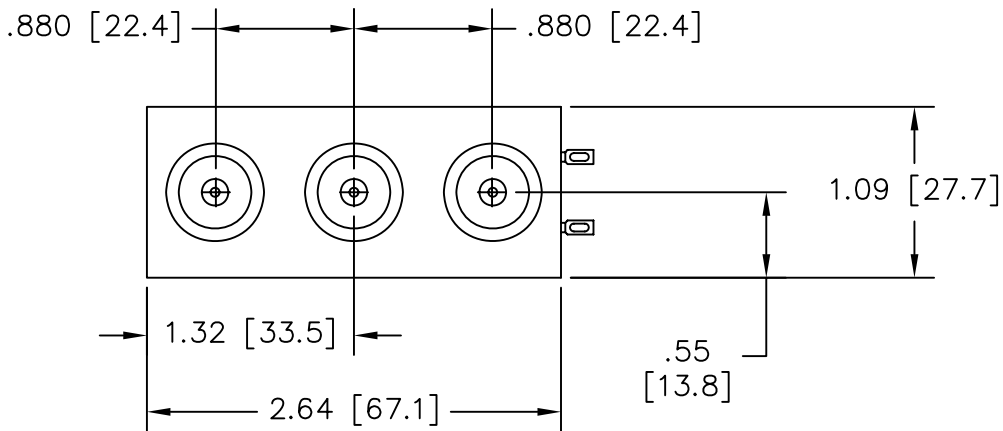
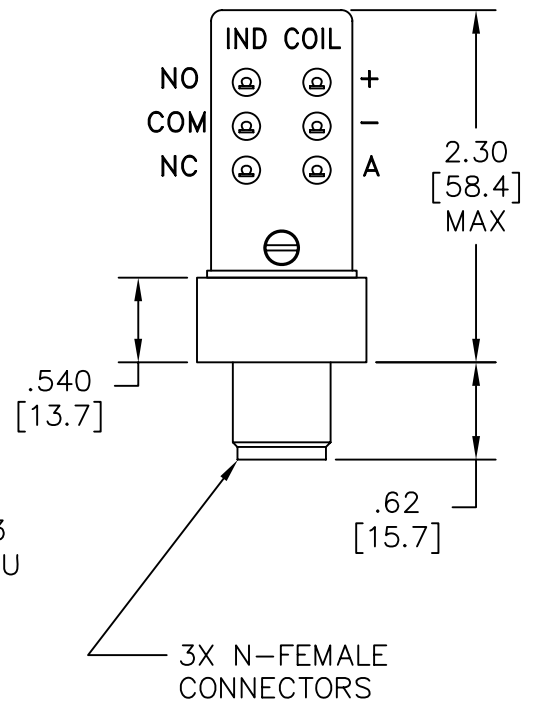
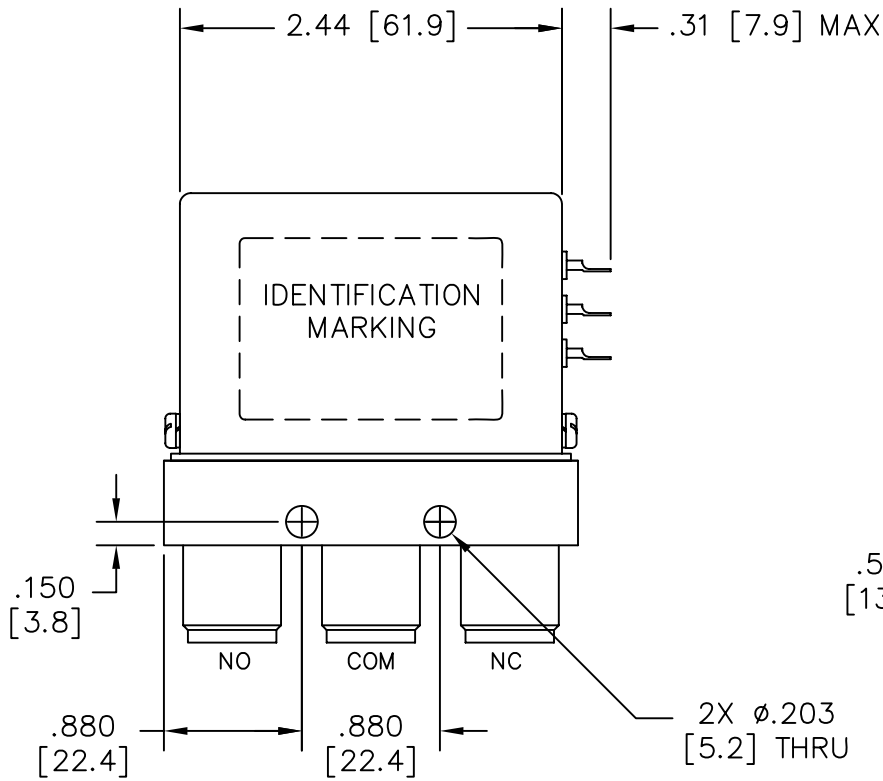
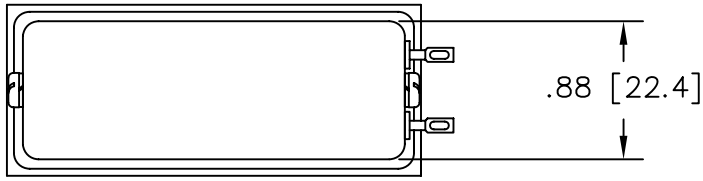
**DowKey®**  
**Microwave**  
CORPORATION

4822 McGrath Street  
Ventura, CA. 93003-5641  
PH: (805) 650-0260  
FAX: (805) 650-1734

A **DOVER** TECHNOLOGIES COMPANY

SWITCH, SPDT, FAILSAFE N-FEMALE CONNECTORS, MECH INDICATORS, TTL-HI CONTROL CIRCUIT			
CODE IDENT. NO. 00471	DWG. NO. 402-2X0132A		
SCALE NONE	FINAL ASSY:	SHEET 1 OF 3	

OUTLINE DRAWING:



[ ] MILLIMETERS

UNLESS OTHERWISE SPECIFIED TOLERANCES ARE: .XXX ±.010 ANGLES: ±3' .XX ±.030	CODE IDENT. NO.	DWG. NO.	REV.
	00471	402-2X0132A	E
SCALE NONE	SHEET 2 OF 3		

## SPECIFICATIONS:

### 1. RF CHARACTERISTICS:

1.1 FREQUENCY (GHz):	DC-1	1-2	2-4	4-8	8-12.4
1.2 VSWR (RATIO MAX):	1.15:1	1.20:1	1.25:1	1.35:1	1.50:1
1.3 INSERTION LOSS (dB MAX):	0.15	0.20	0.25	0.40	0.50
1.4 ISOLATION (dB MIN):	85	80	70	60	60
1.5 RF POWER (WATTS CW MAX):	600	400	300	225	175

### 2. ACTUATION DATA:

2.1	NOMINAL VOLTAGE	OPERATING VOLTAGE	CURRENT (TYP)
			@ NOMINAL VOLTAGE & 25°C
	12	11-14	260mA
	15	13-17	230mA
	24	20-28	145mA
	28	24-32	110mA

2.2 SWITCHING TIME:	20ms MAX
2.3 OPERATING MODE:	FAILSAFE

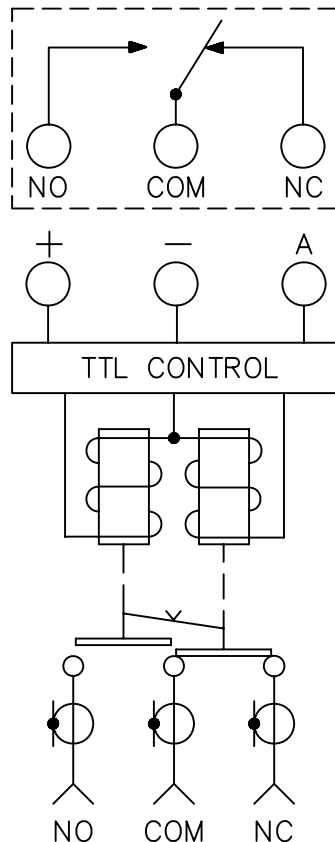
### 3. MECHANICAL:

3.1 RF CONTACTS:	BREAK BEFORE MAKE
3.2 WEIGHT:	7.7oz. (218g.) NOMINAL
3.3 DESIGN LIFE:	1,000,000 CYCLES MIN

### 4. ENVIRONMENTAL:

4.1 OPERATING TEMPERATURE:	-25°C TO +65°C
4.2 STORAGE TEMPERATURE:	-55°C TO +85°C
4.3 SEAL:	GASKET SEAL

## SCHEMATIC:



LOGIC TRUTH TABLE		
RF PATH	INDICATOR PATH	LOGIC INPUT "A"
NC-COM	NC-COM	0
NO-COM	NO-COM	1

"0" = 0.0V-0.8V  
 "1" = 2.4V-5.5V

SHOWN IN THE DE-ENERGIZED POSITION

CODE IDENT. NO. 00471	DWG. NO. 402-2X0132A	REV. E
SCALE NONE	SHEET 3 OF 3	