
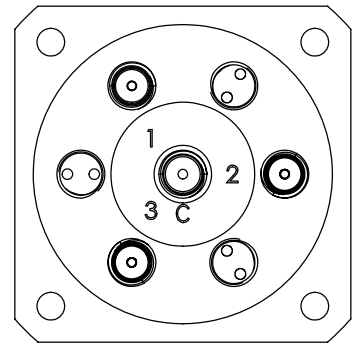
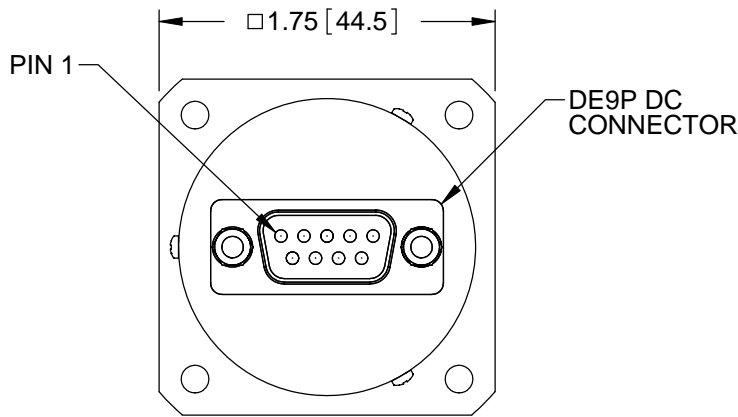


REVISIONS			
REV.	DESCRIPTION	DATE	APPROVED
D	REVISED PER ECO 9968	11/03/10	K.R.
E	REVISED PER ECO 11036	12/10/14	K.R.

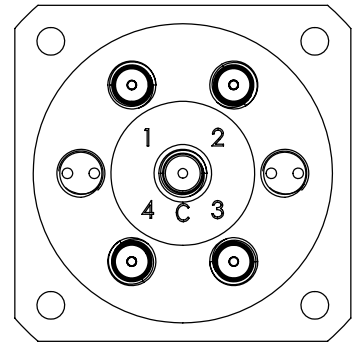
Nominal Coil Voltage	Part Number		
	SP3T	SP4T	SP6T
12 Vdc	535J-5208	545J-5208	565J-5208
15 Vdc	535J-5908	545J-5908	565J-5908
24 Vdc	535J-5808	545J-5808	565J-5808
28 Vdc	535J-5308	545J-5308	565J-5308

REVISIONS	E	E	E				 DowKey[®] Microwave CORPORATION <small>A DOVER TECHNOLOGIES COMPANY</small>	4822 McGrath Street Ventura, CA. 93003-5641 PH: (805) 650-0260 FAX: (805) 650-1734
SHEET NO.	1	2	3					
APPROVALS			DATE			SW, 3-6 POSITION, NORMALLY OPEN SMA-FEMALE CONNECTORS DE9P DC CONNECTOR		
DRAWN SARA LEE			10/27/10					
ENGINEERING G. NICKLAUS			12/9/2014					
QUALITY S. LYNCH			12/9/2014					
MANUFACTURING J. LEE			12/10/2014					
CODE IDENT. NO.				DWG. NO.				
00471				5X5J-5X08				
SCALE		NONE		FINAL ASSY: 565J-5308			SHEET 1 OF 3	

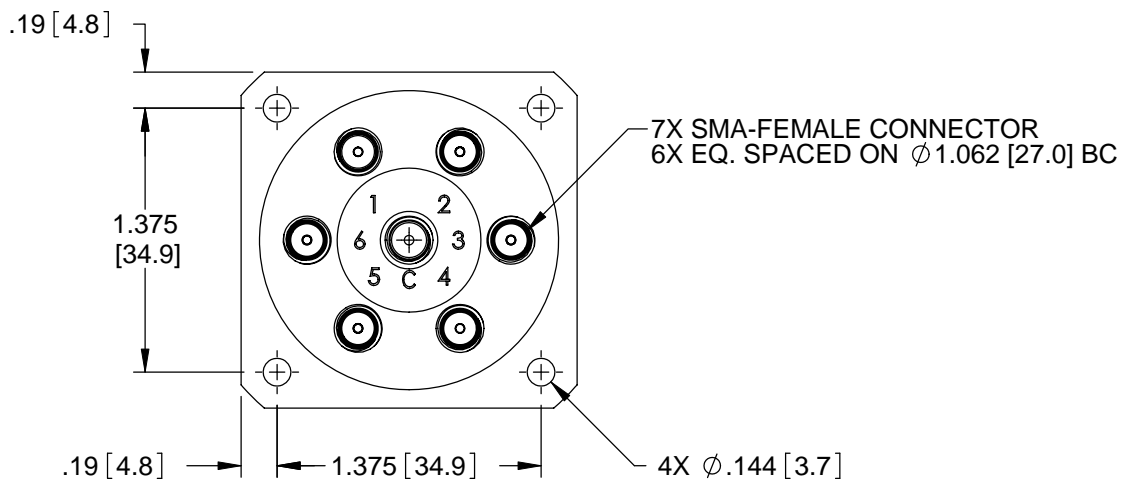
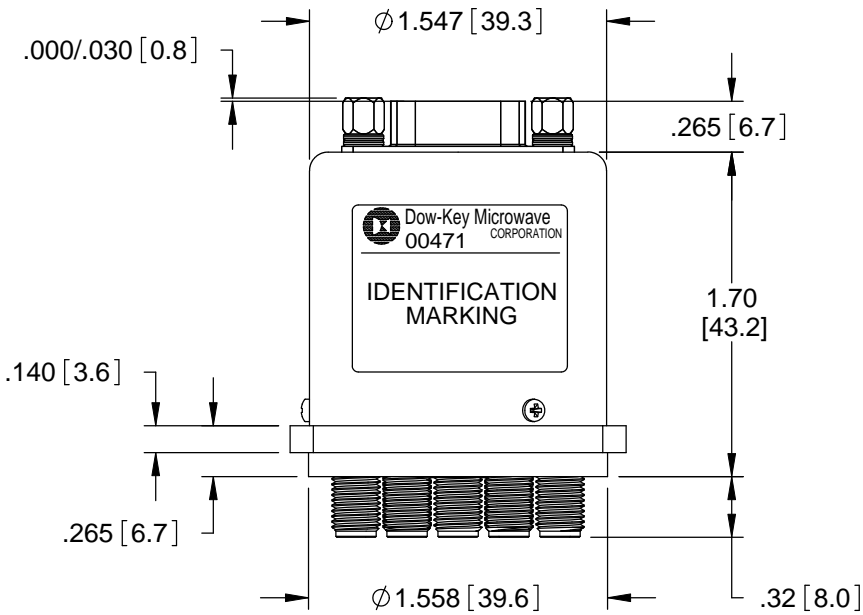
OUTLINE DRAWING:



3 POSITION



4 POSITION



[] MILLIMETERS

UNLESS OTHERWISE SPECIFIED TOLERANCES ARE: .XXX ±.010 ANGLES: ±3° .XX ±.030	CODE IDENT. NO. 00471	DWG. NO. 5X5J-5X08	REV. E
	SCALE NONE	FINAL ASSY: 565J-5308	SHEET 2 OF 3

SPECIFICATION:

1.0 RF CHARACTERISTICS:

1.1 FREQUENCY (GHz)	DC - 4	4 - 8	8 - 12.4	12.4 - 18
1.2 VSWR (RATIO MAX)	1.20:1	1.30:1	1.40:1	1.50:1
1.3 INSERTION LOSS (dB MAX)	0.20	0.30	0.40	0.50
1.4 ISOLATION (dB MIN)	70	65	65	60
1.5 RF POWER (WATTS CW MAX)	125	90	75	60
1.6 IMPEDANCE (NOMINAL)	50 OHMS			

2.0 ACTUATION DATA:

2.1	NOMINAL VOLTAGE	OPERATING VOLTAGE	CURRENT (TYP) @ NOMINAL VOLTAGE & 25°C
	12	11-14	335mA
	15	13-17	280mA
	24	20-28	190mA
	28	24-32	160mA

2.2 SWITCHING TIME 20mS MAX
 2.3 OPERATING MODE FAILSAFE

3.0 MECHANICAL:

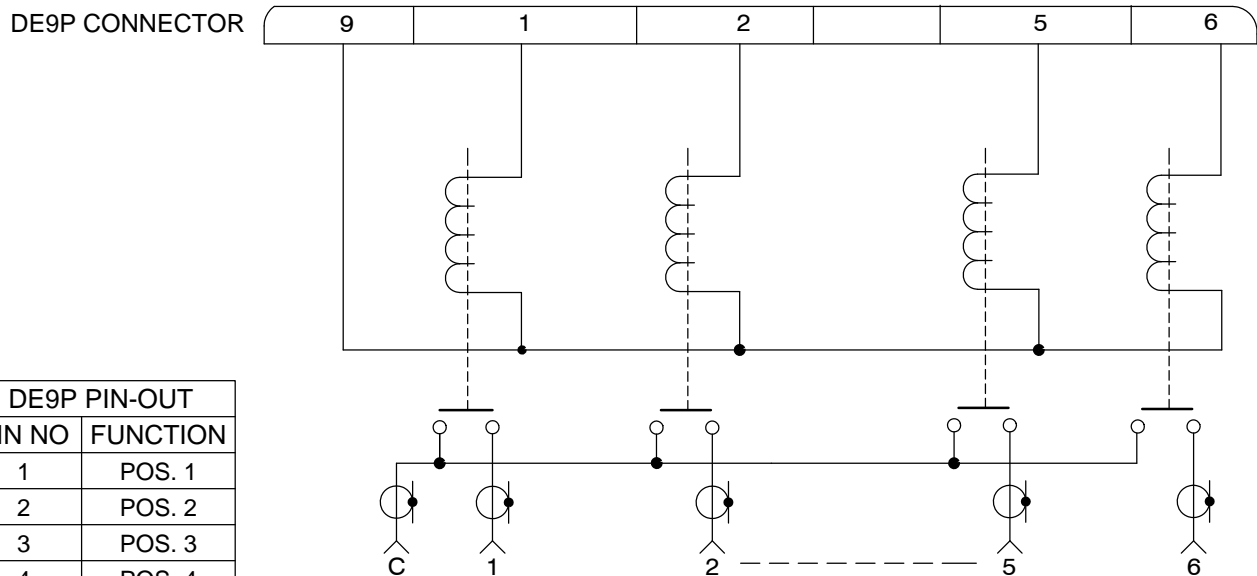
3.1 RF CONTACTS BREAK BEFORE MAKE
 3.2 WEIGHT 4.0oz (113g) NOMINAL
 3.3 DESIGN LIFE 2,000,000 CYCLES MINIMUM

4.0 ENVIRONMENTAL:

4.1 OPERATING TEMPERATURE -25°C TO +65°C
 4.2 STORAGE TEMPERATURE -55°C TO +85°C
 4.3 SEAL: SAND AND DUST

SCHMATIC:

NOT POLARITY SENSITIVE



SWITCH SHOWN IN THE DE-ENERGIZED POSITION

DE9P PIN-OUT	
PIN NO	FUNCTION
1	POS. 1
2	POS. 2
3	POS. 3
4	POS. 4
5	POS. 5
6	POS. 6
7	N/C
8	N/C
9	COM

CODE IDENT. NO. 00471	DWG. NO. 5X5J-5X08	REV. E
SCALE NONE	FINAL ASSY: 565J-5308	SHEET 3 OF 3