

REVISIONS			
REV.	DESCRIPTION	DATE	APPROVED
A	PRODUCTION RELEASE	2/18/04	J.S.
B	REVISED PER ECO 11231	5/28/15	K.R.

Nominal Coil Voltage	Part Number
12 Vdc	5E1J-520802A
28 Vdc	5E1J-530802A

REVISIONS	B	B	B			
SHEET NO.	1	2	3			
APPROVALS			DATE			
DRAWN S. LEE		1/21/04				
ENGINEERING C. BURAU		2/18/04				
QUALITY S. EVERETT		1/21/04				
MANUFACTURING R. GONZALEZ		1/21/04				



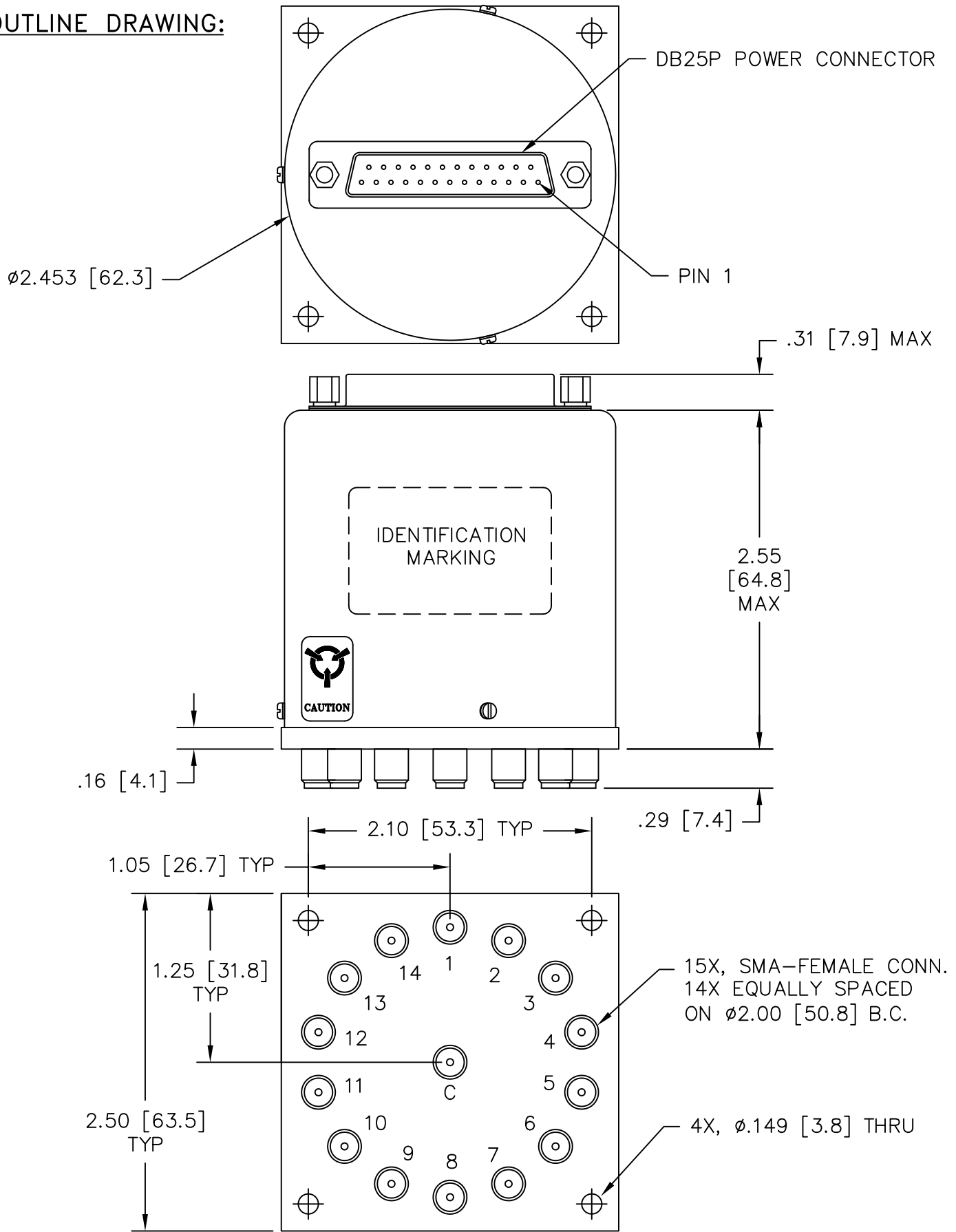
DowKey®
Microwave
CORPORATION

4822 McGrath Street
Ventura, CA. 93003-5641
PH: (805) 650-0260
FAX: (805) 650-1734

A **DOVER** TECHNOLOGIES COMPANY

SWITCH, SP14T NORMALLY OPEN, SMA-FEMALE CONNECTORS, TTL-HI CONTROL, DB25P CONNECTOR		
CODE IDENT. NO. 00471	DWG. NO. 5E1J-5X0802A	
SCALE NONE	FINAL ASSY:	SHEET 1 OF 3

OUTLINE DRAWING:



[] MILLIMETERS

UNLESS OTHERWISE SPECIFIED TOLERANCES ARE: .XXX ±.010 ANGLES: ±3' .XX ±.030	CODE IDENT. NO. 00471	DWG. NO. 5E1J-5X0802A	REV. B
	SCALE NONE	SHEET 2 OF 3	

SPECIFICATIONS:

1. RF CHARACTERISTICS:

1.1 FREQUENCY (GHz):	DC-4	4-8	8-12	12-18
1.2 VSWR (RATIO MAX):	1.30:1	1.40:1	1.60:1	1.80:1
1.3 INSERTION LOSS (dB MAX):	0.30	0.40	0.60	0.80
1.4 ISOLATION (dB MIN):	70	65	60	55
1.5 RF POWER (WATTS CW MAX):	125	90	75	60

2. ACTUATION DATA:

2.1	NOMINAL VOLTAGE	OPERATING VOLTAGE	CURRENT (TYP) @ NOMINAL VOLTAGE & 25°C
	12	11-14	285mA
	28	24-32	125mA

- 2.2 SWITCHING TIME: 20ms MAX
 2.3 OPERATING MODE: NORMALLY OPEN

3. MECHANICAL:

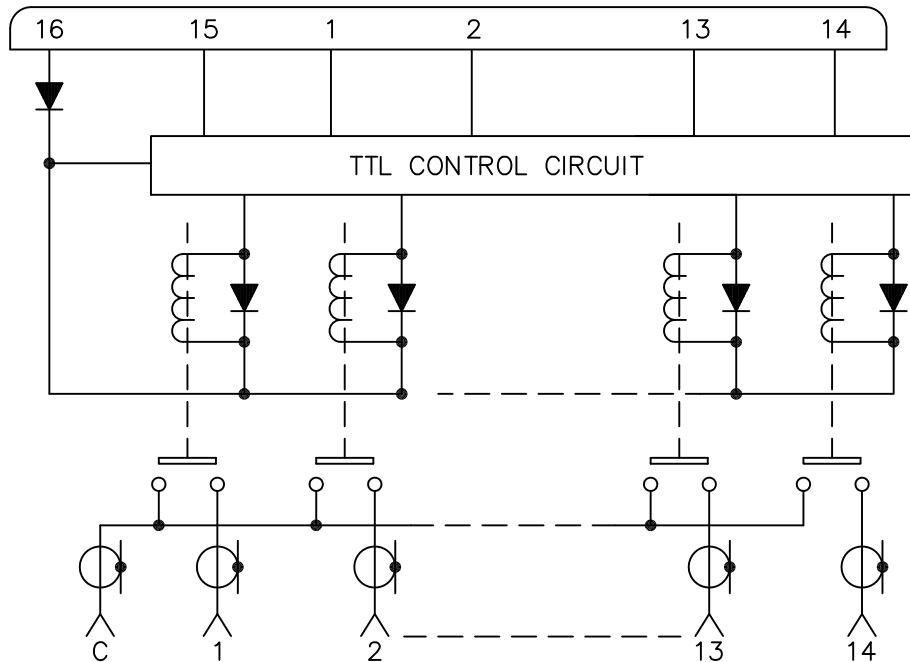
- 3.1 RF CONTACTS: BREAK BEFORE MAKE
 3.2 WEIGHT: 10.5oz. (298g.) NOMINAL
 3.3 DESIGN LIFE: 1,000,000 CYCLES MIN

4. ENVIRONMENTAL:

- 4.1 OPERATING TEMPERATURE: -25°C TO +65°C
 4.2 STORAGE TEMPERATURE: -55°C TO +85°C
 4.3 SEAL: SAND AND DUST

SCHEMATIC:

DB25P PIN-OUT	
PIN	FUNCTION
1	LOGIC POS.1
2	LOGIC POS.2
3	LOGIC POS.3
4	LOGIC POS.4
5	LOGIC POS.5
6	LOGIC POS.6
7	LOGIC POS.7
8	LOGIC POS.8
9	LOGIC POS.9
10	LOGIC POS.10
11	LOGIC POS.11
12	LOGIC POS.12
13	LOGIC POS.13
14	LOGIC POS.14
15	COM
16	+VDC
17-25	SPARE



SCHEMATIC SHOWN IN NORMALLY OPEN POSITION.

LOGIC HI (ON) = 2.4-5.5Vdc
 LOGIC LO (OFF) = 0.0-0.8Vdc

CODE IDENT. NO. 00471	DWG. NO. 5E1J-5X0802A	REV. B
SCALE NONE	SHEET 3 OF 3	