
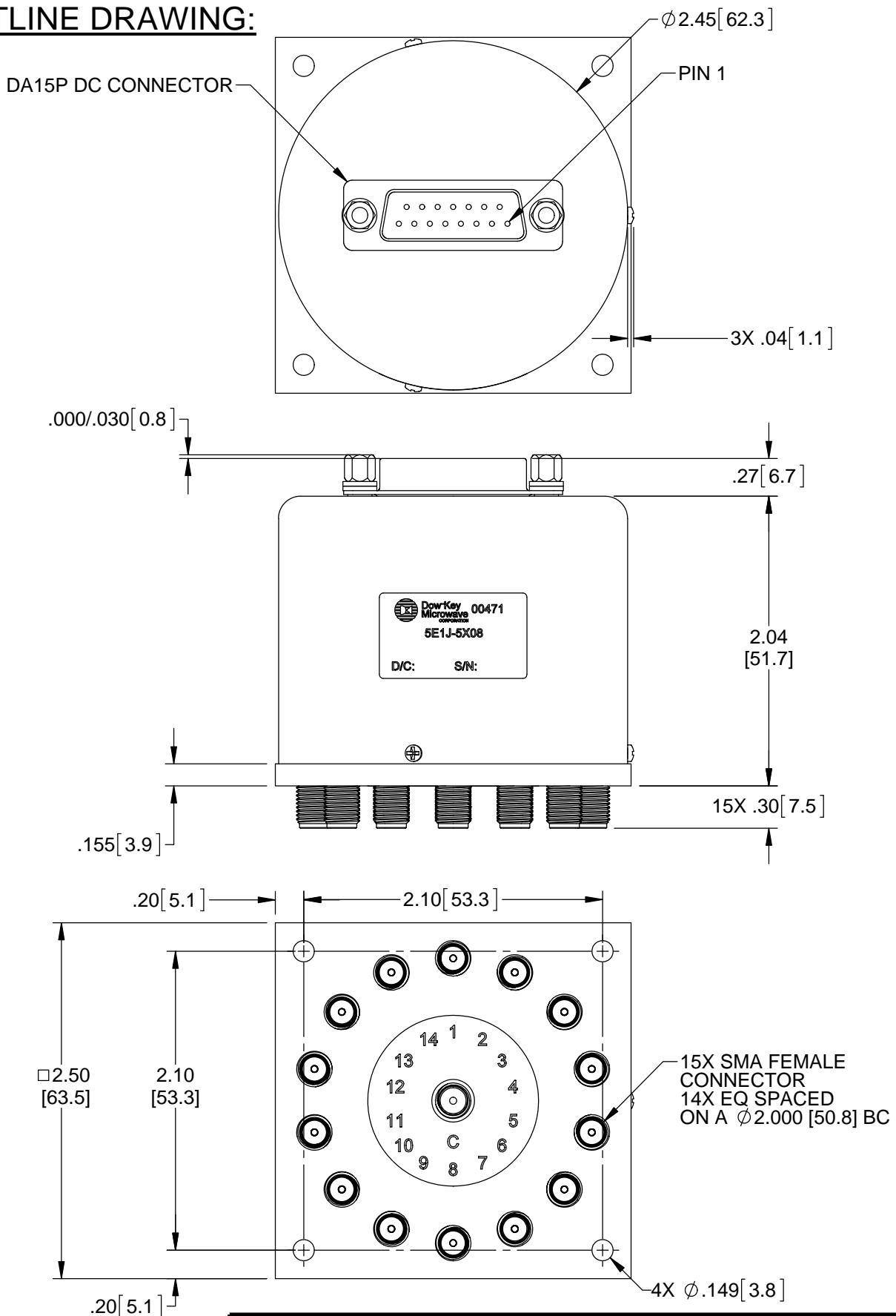


REVISIONS			
REV.	DESCRIPTION	DATE	APPROVED
F	REVISED PER ECO 9406	8/05/08	K.R.
G	REVISED PER ECO 11522	7/27/16	K.R.

Nominal Coil Voltage	Part Number
12 Vdc	5E1J-5208
15 Vdc	5E1J-5908
24 Vdc	5E1J-5808
28 Vdc	5E1J-5308

REVISIONS	G	G	G				 DowKey[®] Microwave CORPORATION <small>A DOVER TECHNOLOGIES COMPANY</small>	4822 McGrath Street Ventura, CA. 93003-5641 PH: (805) 650-0260 FAX: (805) 650-1734
SHEET NO.	1	2	3					
APPROVALS			DATE			SWITCH, SP14T, NORMALLY OPEN SMA-FEMALE CONNECTORS DA15P DC CONNECTOR		
DRAWN SARA LEE			07/22/16					
ENGINEERING J. WESSELY			7/26/2016					
QUALITY S. LYNCH			7/27/2016					
MANUFACTURING R. GARCIA			7/27/2016					
CODE IDENT. NO.				DWG. NO.				
00471				5E1J-5X08				
SCALE		NONE		FINAL ASSY:		SHEET 1 OF 3		

OUTLINE DRAWING:



[] MILLIMETERS

UNLESS OTHERWISE SPECIFIED TOLERANCES ARE: .XXX ±.010 ANGLES: ±3° .XX ±.030	CODE IDENT. NO. 00471	DWG. NO. 5E1J-5X08	REV. G
	SCALE NONE	FINAL ASSY:	SHEET 2 OF 3

SPECIFICATION:

1.0 RF CHARACTERISTICS:

1.1 FREQUENCY (GHz)	DC - 4	4 - 8	8 - 12	12 - 18
1.2 VSWR (RATIO MAX)	1.30:1	1.40:1	1.60:1	2.00:1
1.3 INSERTION LOSS (dB MAX)	0.30	0.40	0.60	0.100
1.4 ISOLATION (dB MIN)	70	65	60	55
1.5 RF POWER (WATTS CW MAX)	125	90	75	60
AT SEA LEVEL, +40°C, LOAD VSWR 1:1				
1.6 IMPEDANCE (NOMINAL)	50 OHMS			

2.0 ACTUATION DATA:

2.1	NOMINAL VOLTAGE	OPERATING VOLTAGE	CURRENT (NOMINAL) @ NOMINAL VOLTAGE & 25°C
	12	11-14	285mA
	15	13-17	225mA
	24	20-28	150mA
	28	24-32	125mA

2.2 SWITCHING TIME: 20mS MAX
 2.3 OPERATING MODE: NORMALLY OPEN

3.0 MECHANICAL:

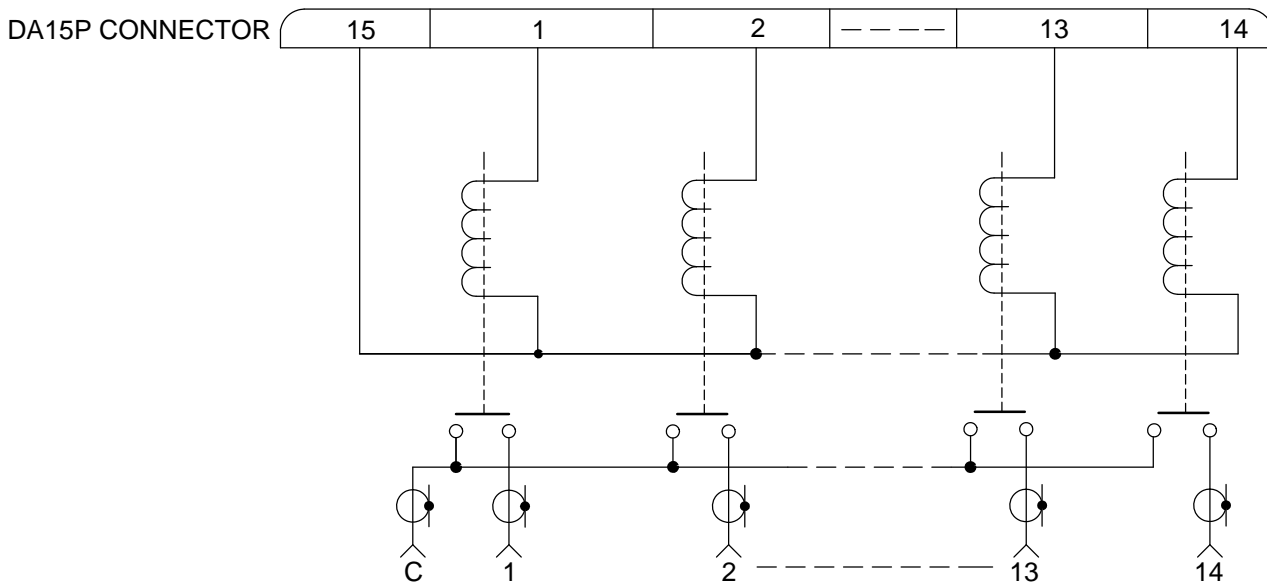
3.1 CONTACT ARRANGEMENT: SP14T
 3.2 RF CONTACTS: BREAK BEFORE MAKE
 3.3 WEIGHT: 10oz (284g) NOMINAL
 3.4 DESIGN LIFE: 1,000,000 CYCLES MINIMUM

4.0 ENVIRONMENTAL:

4.1 OPERATING TEMPERATURE: -25°C TO +65°C
 4.2 STORAGE TEMPERATURE: -55°C TO +85°C
 4.3 SEAL: SAND AND DUST

SCHEMATIC:

NOT POLARITY SENSITIVE



SWITCH SHOWN IN THE DE-ENERGIZED POSITION

CODE IDENT. NO. 00471	DWG. NO. 5E1J-5X08	REV. G
SCALE NONE	FINAL ASSY:	SHEET 3 OF 3