



- DC-18 GHz
- Low/Medium Power
- 1M Life Cycles

## RF Characteristics

Frequency GHz	VSWR (max)	Isolation dB (min)	Ins. Loss dB (max)
DC-4	1.20	70	0.20
4-8	1.30	65	0.30
8-12.4	1.40	60	0.40
12.4-18	1.60	55	0.60

Note: Performance may vary depending on selected options

## Specifications

### Operating Voltage:

- 12 Vdc (11-14 Vdc)
- 24 Vdc (20-28 Vdc)
- 28 Vdc (24-32 Vdc)

### Coil Current (max. @ nom. Vdc & 25°C)\*:

- 12 Vdc 300 mA
- 24 Vdc 150 mA
- 28 Vdc 135 mA

### Switching Time:

15 ms maximum

### Operating Temperature:

- 25°C to +65°C (Standard)
- 55°C to +85°C (Extended "T" Option)

### Mechanical Life, Cycles:

1,000,000 minimum

### Vibration, Operating:

10G RMS, 20-2000 Hz

### Mechanical Shock, Non-Operating:

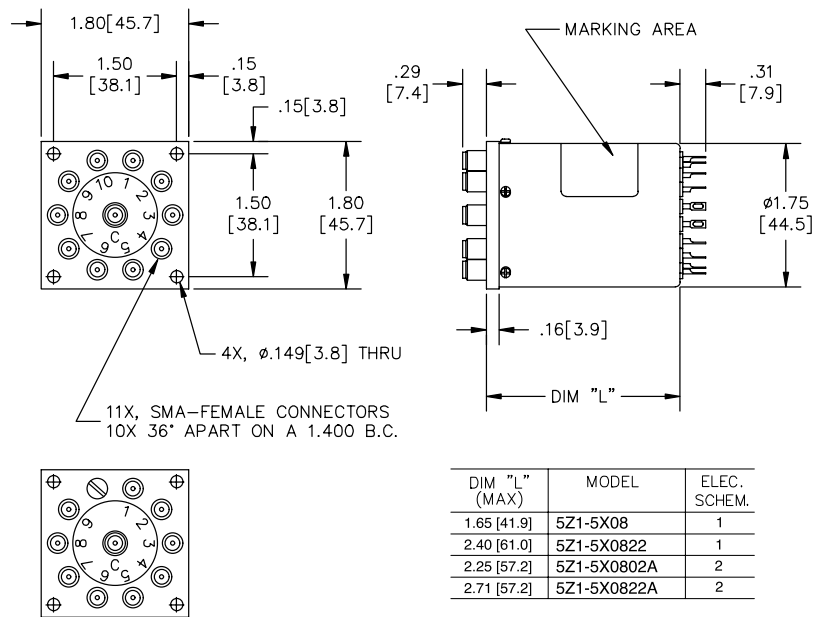
50G, 1/2 Sine, 11 ms

### Nominal Weight:

5.5 oz. (156 g.)

\* Performance varies depending on selected options.

## Mechanical

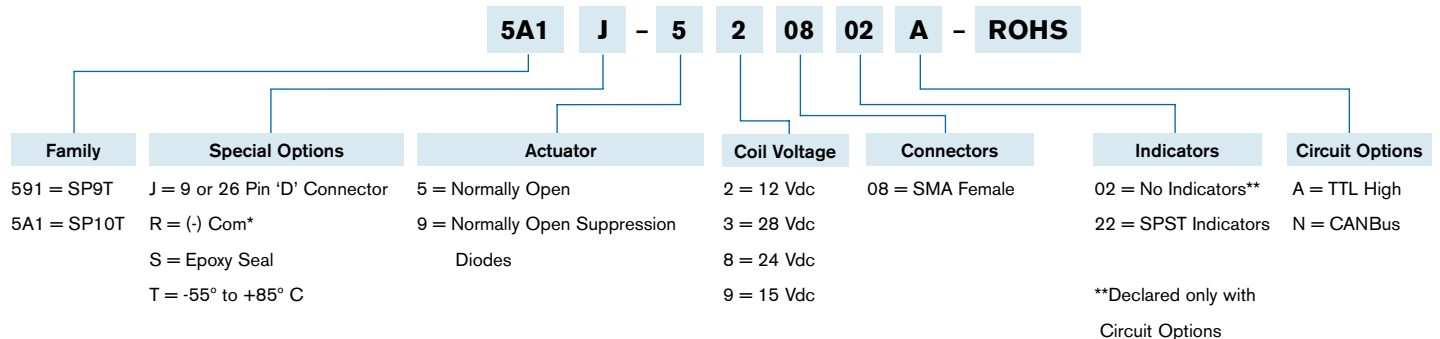


9 POSITION

5A1-530822 Shown

For Electrical Schematic, see page # 3-20

## Part Number Selector



\* Only available with N.O. Suppression Diodes

Note: TTL option includes suppression diode. Other options may be available and all combinations may not be possible. Please consult with factory.