



- DC-18 GHz
- DC-26.5 GHz
- Low/Medium Power
- 1M Life Cycles

RF Characteristics

Frequency GHz	VSWR (max)	Isolation dB (min)	Ins. Loss dB (max)
DC-4	1.20	80	0.20
4-8	1.30	75	0.30
8-12.4	1.40	70	0.40
12.4-18	1.50	60	0.50
18-26.5	1.80	55	0.80

Note: Performance may vary depending on selected options

Specifications

Operating Voltage:

- 12 Vdc (11-14 Vdc)
- 24 Vdc (20-28 Vdc)
- 28 Vdc (24-32 Vdc)

Coil Current (max. @ nom. Vdc & 25°C)*:

- 12 Vdc 345 mA
- 24 Vdc 175 mA
- 28 Vdc 150 mA

Switching Time:

15 ms maximum

Operating Temperature:

- 25°C to +65°C (Standard)
- 55°C to +85°C (Extended "T" Option)

Mechanical Life, Cycles:

1,000,000 minimum

Vibration, Operating:

10G RMS, 20-2000 Hz

Mechanical Shock, Non-Operating:

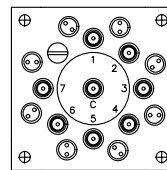
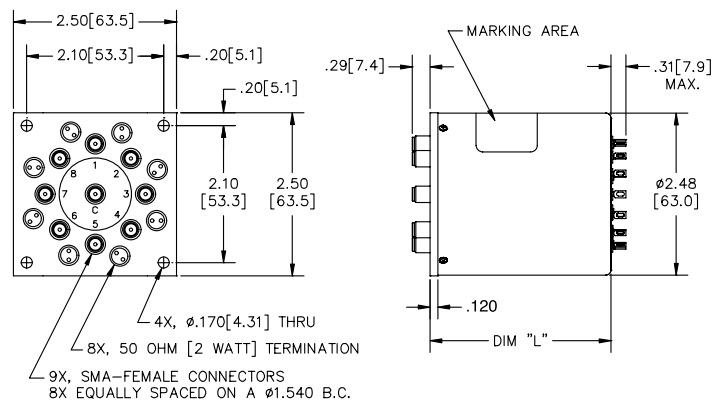
50G, 1/2 Sine, 11 ms

Nominal Weight:

16.5 oz. (468 g.)

* Performance and weight varies depending on selected options.

Mechanical



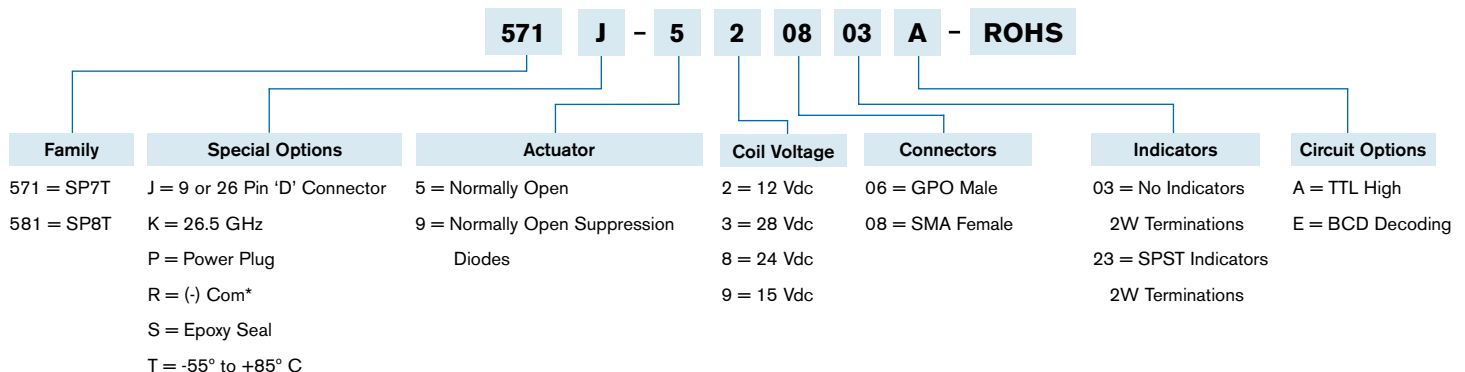
7 POSITION

DIM "L" (MAX)	MODEL	ELEC. SCHEM.
1.93 [49.0]	5Y1-5X0803	3
2.80 [71.1]	5Y1-5X0823	3
2.80 [71.1]	5Y1-5X0803A	4
2.80 [71.1]	5Y1-5X0823A	4

581-530823 Shown

For Electrical Schematic, see page # 3-20

Part Number Selector



* Only available with N.O.

Suppression Diodes

Note: TTL option includes suppression diode. Other options may be available and all combinations may not be possible. Please consult with factory.