



- DC-18 GHz
- Low/Medium Power
- 1M Life Cycles

## RF Characteristics

Frequency GHz	VSWR (max)	Isolation dB (min)	Ins. Loss dB (max)
DC-4	1.20	80	0.20
4-8	1.30	75	0.30
8-12.4	1.40	70	0.40
12.4-18	1.50	60	0.50

Note: Performance may vary depending on selected options

## Specifications

### Operating Voltage:

- 12 Vdc (11-14 Vdc)
- 24 Vdc (20-28 Vdc)
- 28 Vdc (24-32 Vdc)

### Coil Current (max. @ nom. Vdc & 25°C)\*:

- 12 Vdc 440 mA
- 24 Vdc 225 mA
- 28 Vdc 190 mA

### Switching Time:

15 ms maximum

### Operating Temperature:

- 25°C to +65°C (Standard)
- 55°C to +85°C (Extended "T" Option)

### Mechanical Life, Cycles:

1,000,000 minimum

### Vibration, Operating:

10G RMS, 20-2000 Hz

### Mechanical Shock, Non-Operating:

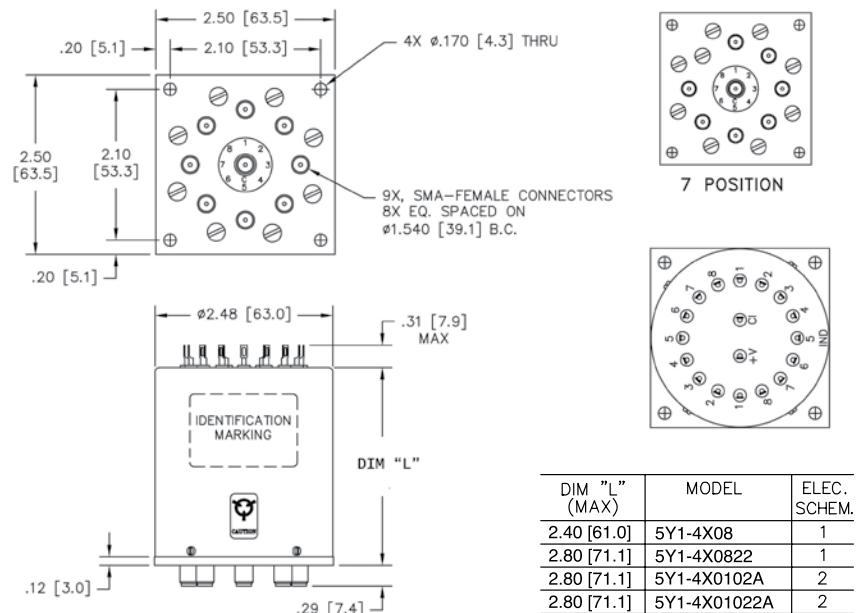
50G, 1/2 Sine, 11 ms

### Nominal Weight\*:

18.0 oz. (510 g.)

\* Performance and weight varies depending on selected options.

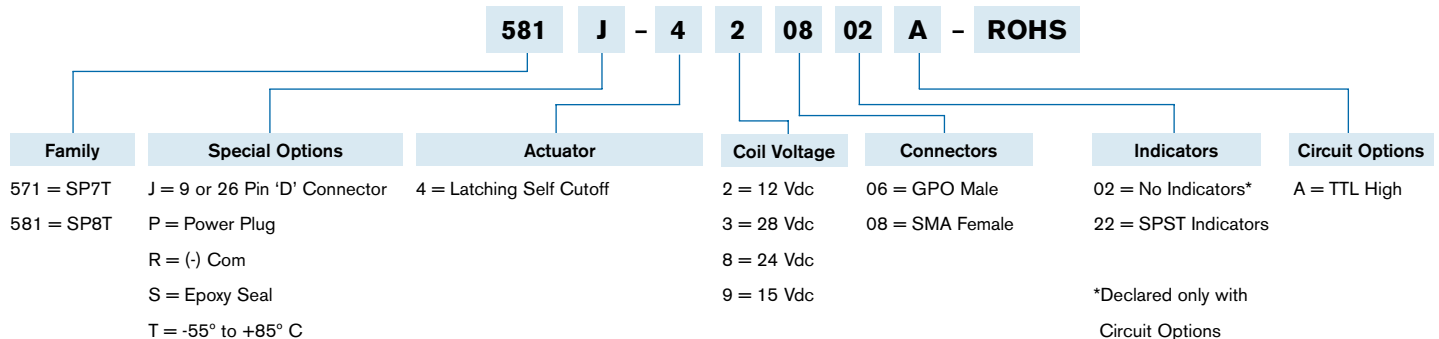
## Mechanical



581-430822 Shown

For Electrical Schematic, see page # 3-21

## Part Number Selector



Note: TTL option includes suppression diode. Other options may be available and all combinations may not be possible. Please consult with factory.