

- DC-2 GHz
- DC-6 GHz
- DC-12.4 GHz
- Medium/High Power
- 1M Life Cycles

RF Characteristics

Frequency GHz	VSWR (max)	Isolation dB (min)	Ins. Loss dB (max)
DC-4	1.25	70	0.30
4-8	1.35	60	0.40
8-12.4	1.70	55	0.70

Note: Performance varies depending on selected options

Specifications

Operating Voltage:

- 12 Vdc (11-14 Vdc)
- 24 Vdc (20-28 Vdc)
- 28 Vdc (24-32 Vdc)

Coil Current (max. @ nom. Vdc & 25°C)*:

- 12 Vdc 105 mA
- 24 Vdc 70 mA
- 28 Vdc 60 mA

Switching Time:

20 ms maximum

Operating Temperature:

- 25°C to +65°C (Standard)
- 55°C to +85°C (Extended "T" Option)

Mechanical Life Cycles:

1,000,000 minimum

Vibration, Operating:

10G RMS, 20-2000 Hz

Mechanical Shock, Non-Operating:

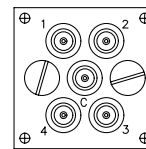
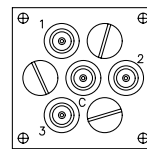
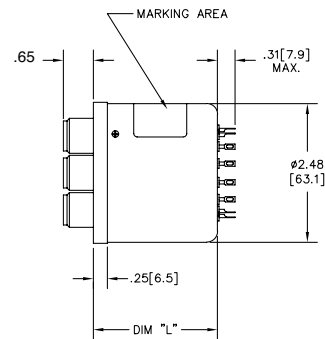
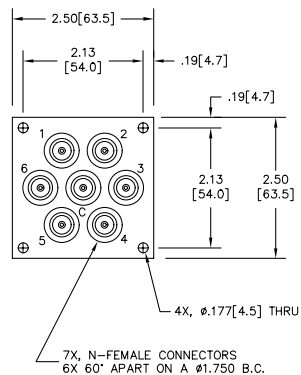
50G, 1/2 Sine, 11 ms

Nominal Weight*:

17.0 oz. (482 g.)

* Performance and weight varies depending on selected options.

Mechanical



DIM "L" (MAX)	MODEL	ELEC. SCHEM.
2.20 [55.9]	5X1-5X01	1
2.62 [66.5]	5X1-5X0122	1
2.90 [73.7]	5X1-5X0102A	2
2.90 [73.7]	5X1-5X0122A	2

561-530122 Shown

For Electrical Schematic, see page # 3-20

Part Number Selector

561 J - 5 2 01 02 A - ROHS

Family	Special Options	Actuator	Coil Voltage	Connectors	Indicators	Circuit Options
531 = SP3T	A = High Power	5 = Normally Open	2 = 12 Vdc	01 = N Female	02 = No Indicators*	A = TTL High
541 = SP4T	C = Mounting Bracket	9 = Normally Open Suppression	3 = 28 Vdc	02 = BNC Female	22 = SPST Indicators	
561 = SP6T	J = 9 or 15 Pin 'D' Connector	Diodes	8 = 24 Vdc	03 = TNC Female		
	S = Epoxy Seal		9 = 15 Vdc	53 = SC Female		
	T = -55° to +85° C				*Declared only with	
	W = Low PIM				Circuit Options	

Note: TTL option includes suppression diode. Other options may be available and all combinations may not be possible. Please consult with factory.