

RF Characteristics

Frequency GHz	VSWR (max)	Isolation dB (min)	Ins. Loss dB (max)
DC-4	1.20	70	0.20
4-8	1.30	65	0.30
8-12	1.40	60	0.40
12-18	1.50	60	0.50
*18-26.5	1.70	55	0.70

* "K" option only

521 Series SPDT Latching, SMA

Specifications

Operating Voltage:

(across temperature range)
 12 Vdc (11-14 Vdc)
 28 Vdc (24-32 Vdc)

Coil Current (max @ nom.Vdc & 20°C):

12 Vdc 450 mA
 28 Vdc 190 mA

Switching Time:

20 mS maximum

Operating Temperature:

-25°C to +65°C (Standard)
 -55°C to +85°C (Extended "T" Option)

Mechanical Life, Cycles:

1,000,000 minimum

Vibration, Operating:

10 G RMS, 20-2000 Hz

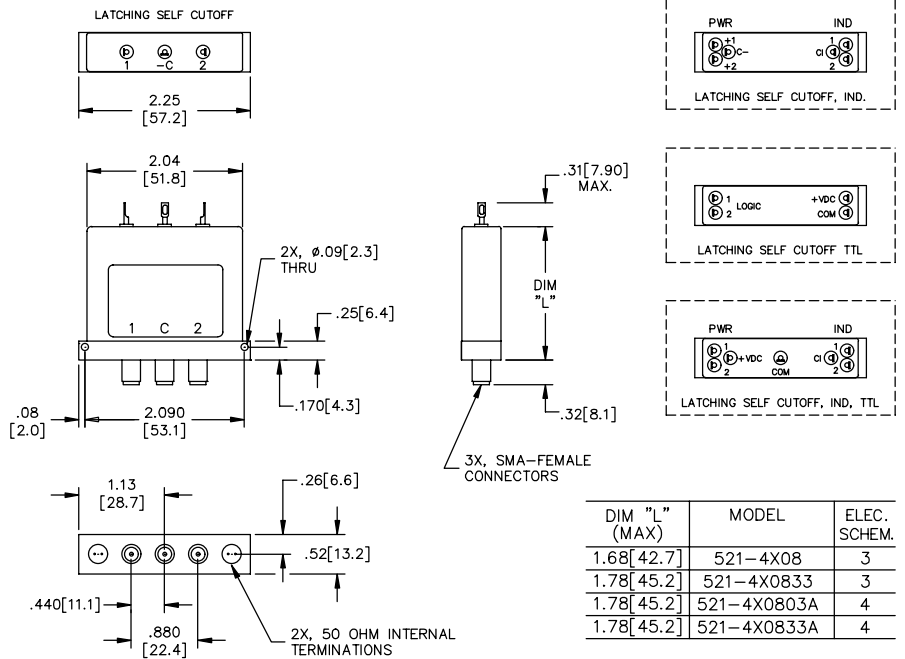
Mechanical Shock, Non-Operating:

50 G, 1/2 Sine, 11 ms

Nominal Weight:

5 oz., (142g.)

Mechanical



521-4X0803 Shown

For Electrical Schematic see page # 1-11

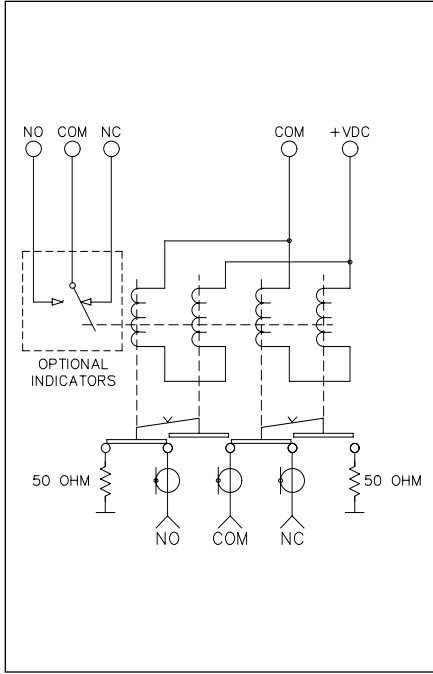
Part Number Selection

521 J - 4 2 08 03 A

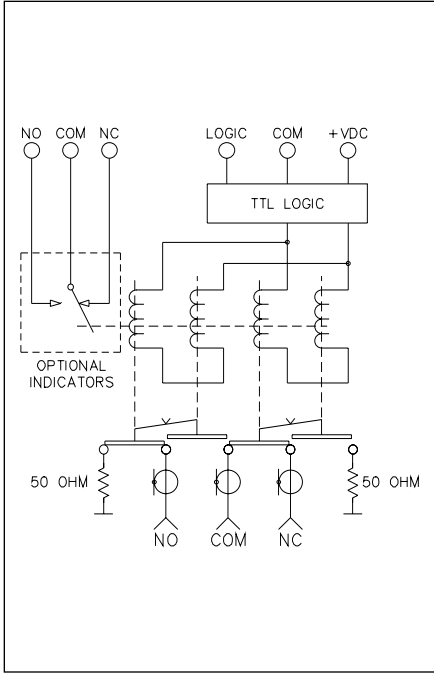
Special Options	Actuator	Coil Voltage	Connectors	Indicators/Terminations	Circuit Option
I = Immersion Seal J = 'D' Connector K = 26.5 GHz R = Common Positive S = Epoxy Seal T = -55°C to +85°C	3 = Pulse Latching 4 = Latching Self Cutoff	2 = 12 Vdc 3 = 28 Vdc 8 = 24 Vdc 9 = 15 Vdc	08 = SMA Female	02 = No Indicators, Underterminated Ports 03 = No Indicators, 2W Terminations 05 = No Indicators, 5W Terminations 08 = No Indicators, 2W External Terminations 32 = Indicators, Underterminated Ports 33 = Indicators, 2W Terminations 35 = Indicators, 5W Terminations 38 = Indicators, 2W External Terminations	A = TTL High L = TTL Low



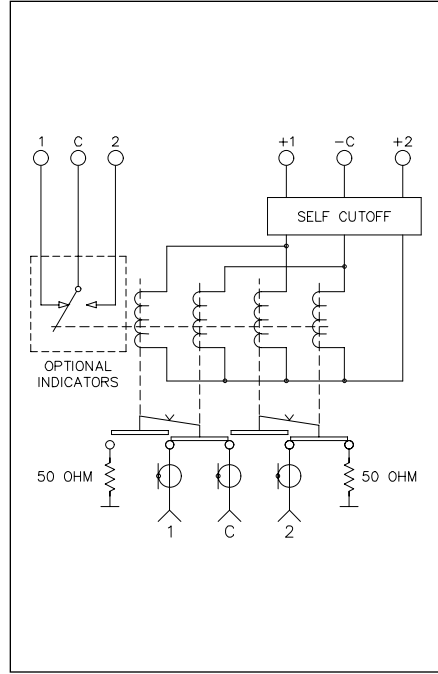
1 521 Failsafe



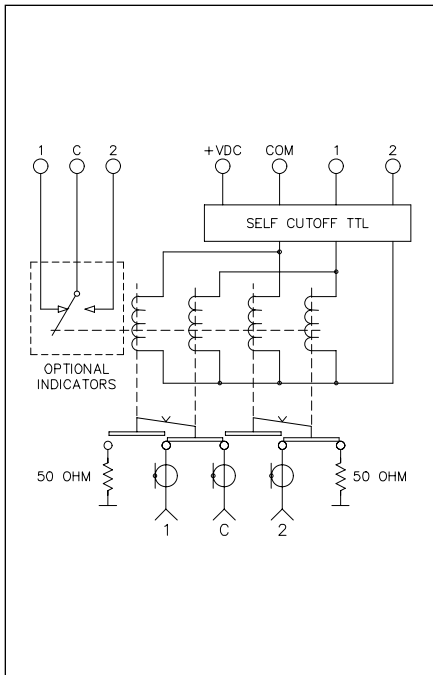
2 521 Failsafe TTL



3 521 Self Cutoff



4 521 Self Cutoff TTL



LOGIC TRUTH TABLE

FAILSAFE TTL - SCH #3

LOGIC TRUTH TABLE		
RF PATH	INDICATOR PATH	LOGIC INPUT
NC-COM	NC-COM	0
NO-COM	NO-COM	1

"0" = 0.0V-0.8V
 "1" = 2.4V-5.5V

SELF CUTOFF TTL - SCH #5

LOGIC TRUTH TABLE			
RF PATH	INDICATOR PATH	LOGIC INPUT "1"	LOGIC INPUT "2"
C-1	C-1	1	0
C-2	C-2	0	1

"0" = 0.0V-0.8V
 "1" = 2.4V-5.5V