

521 Series SPDT Failsafe, SMA

RF Characteristics

| Frequency GHz | VSWR (max) | Isolation dB (min) | Ins. Loss dB (max) |
|---------------|------------|--------------------|--------------------|
| DC-4 | 1.20 | 70 | 0.20 |
| 4-8 | 1.30 | 65 | 0.30 |
| 8-12 | 1.40 | 60 | 0.40 |
| 12-18 | 1.50 | 60 | 0.50 |
| *18-26.5 | 1.60 | 55 | 0.70 |

* "K" option only

Specifications

Operating Voltage:

(across temperature range)
 12 Vdc (11-14 Vdc)
 28 Vdc (24-32 Vdc)

Coil Current (max @ nom.Vdc & 20°C):

12 Vdc 690 mA
 28 Vdc 295 mA

Switching Time:

20 mS maximum

Operating Temperature:

-25°C to +65°C (Standard)
 -55°C to +85°C (Extended "T" Option)

Mechanical Life, Cycles:

1,000,000 minimum

Vibration, Operating:

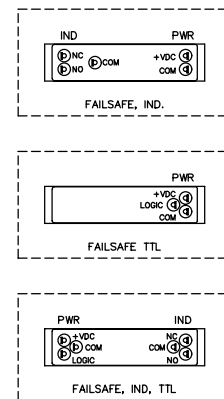
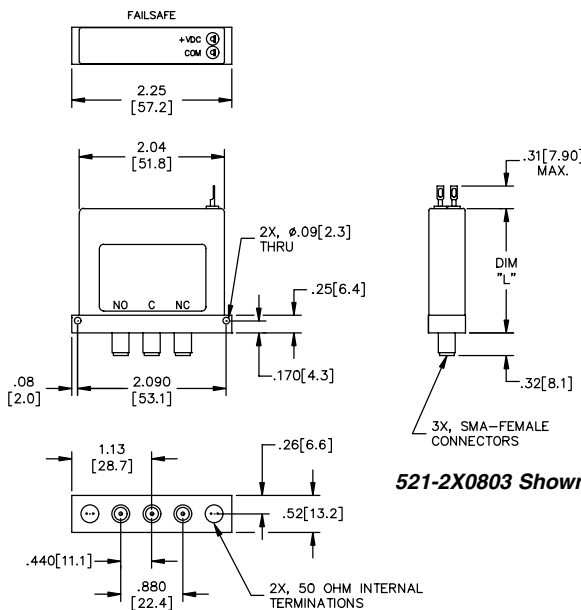
10 G RMS, 20-2000 Hz

Mechanical Shock, Non-Operating:

50 G, 1/2 Sine, 11 mS

Nominal Weight:

3 oz., (85g.)



| DIM "L" (MAX) | MODEL | ELEC. SCHEM. |
|---------------|-------------|--------------|
| 1.28[35.5] | 521-2X08 | 1 |
| 1.53[38.9] | 521-2X0833 | 1 |
| 1.70[43.2] | 521-2X0803A | 2 |
| 1.70[43.2] | 521-2X0833A | 2 |

Part Number Selection

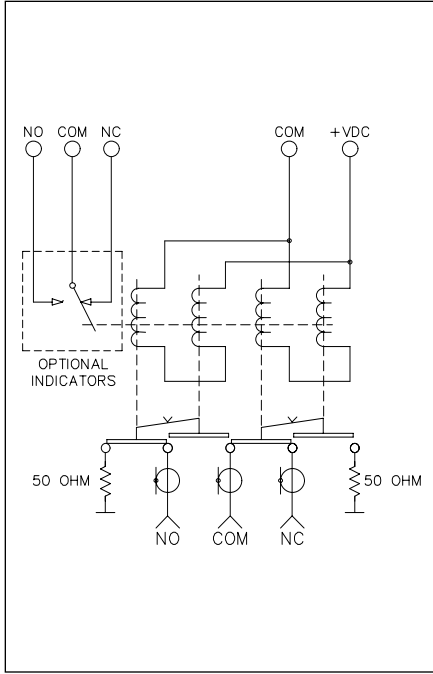
For Electrical Schematic see page # 1-11

521 J - 2 2 08 03 A

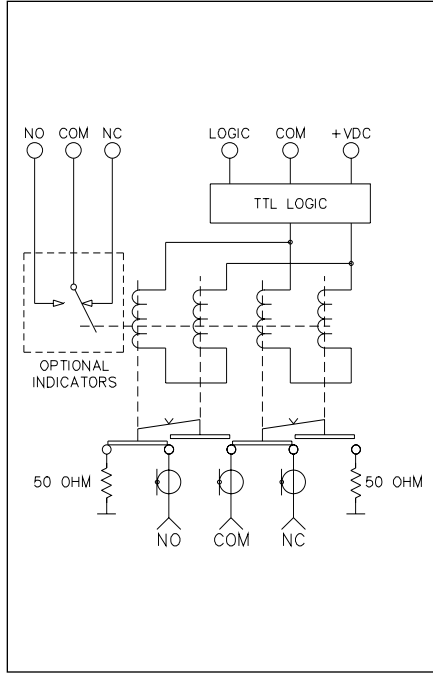
| Special Options | Actuator | Coil Voltage | Connectors | Indicators/Terminations | Circuit Option |
|---|--|--|-----------------|--|-----------------------------|
| I = Immersion Seal J = 'D' Connector K = 26.5 GHz S = Epoxy Seal T = -55°C to +85°C | 2 = Failsafe, Position 1 6 = Failsafe, Position 1 Suppression Diodes | 2 = 12 Vdc 3 = 28 Vdc 8 = 24 Vdc 9 = 15 Vdc | 08 = SMA Female | 02 = No Indicators, Underterminated Ports 03 = No Indicators, 2W Terminations 05 = No Indicators, 5W Terminations 08 = No Indicators, 2W External Terminations 32 = Indicators, Underterminated Ports 33 = Indicators, 2W Terminations 35 = Indicators, 5W Terminations 38 = Indicators, 2W External Terminations | A = TTL High L = TTL Low |



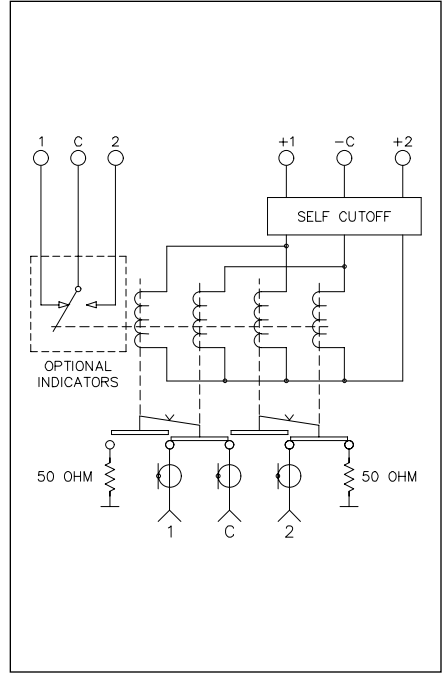
1 521 Failsafe



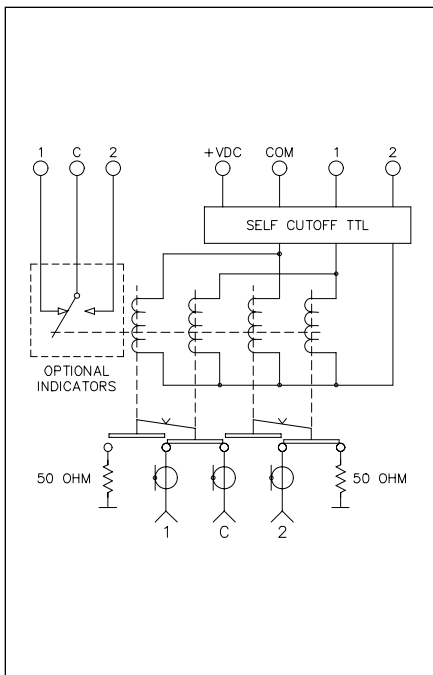
2 521 Failsafe TTL



3 521 Self Cutoff



4 521 Self Cutoff TTL



LOGIC TRUTH TABLE

FAILSAFE TTL - SCH #3

| LOGIC TRUTH TABLE | | |
|-------------------|----------------|-------------|
| RF PATH | INDICATOR PATH | LOGIC INPUT |
| NC-COM | NC-COM | 0 |
| NO-COM | NO-COM | 1 |

"0" = 0.0V-0.8V
 "1" = 2.4V-5.5V

SELF CUTOFF TTL - SCH #5

| LOGIC TRUTH TABLE | | | |
|-------------------|----------------|-----------------|-----------------|
| RF PATH | INDICATOR PATH | LOGIC INPUT "1" | LOGIC INPUT "2" |
| C-1 | C-1 | 1 | 0 |
| C-2 | C-2 | 0 | 1 |

"0" = 0.0V-0.8V
 "1" = 2.4V-5.5V