



- DC-18 GHz
- DC-26.5 GHz
- Low/Medium Power
- 1M Life Cycles

RF Characteristics

Frequency GHz	VSWR (max)	Isolation dB (min)	Ins. Loss dB (max)
DC-4	1.20	80	0.20
4-8	1.30	75	0.30
8-12.4	1.40	70	0.40
12.4-18	1.50	60	0.50
*18-26.5	1.80	50	0.80

*Performance varies depending on selected options

Specifications

Operating Voltage:

- 12 Vdc (11-14 Vdc)
- 24 Vdc (20-28 Vdc)
- 28 Vdc (24-32 Vdc)

Coil Current (max. @ nom. Vdc & 25°C)*:

- 12 Vdc 600 mA
- 24 Vdc 235 mA
- 28 Vdc 190 mA

Switching Time:

15 ms maximum

Operating Temperature:

- 25°C to +65°C (Standard)
- 55°C to +85°C (Extended "T" Option)

Mechanical Life, Cycles:

1,000,000 minimum

Vibration, Operating:

10G RMS, 20-2000 Hz

Mechanical Shock, Non-Operating:

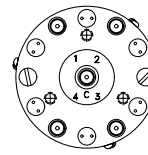
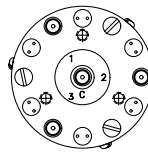
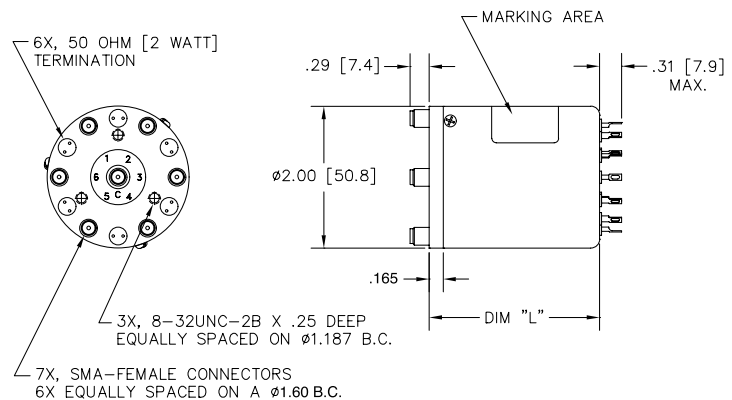
50G, 1/2 Sine, 11 ms

Nominal Weight*:

11.0 oz. (312 g.)

* Performance and weight varies depending on selected options.

Mechanical

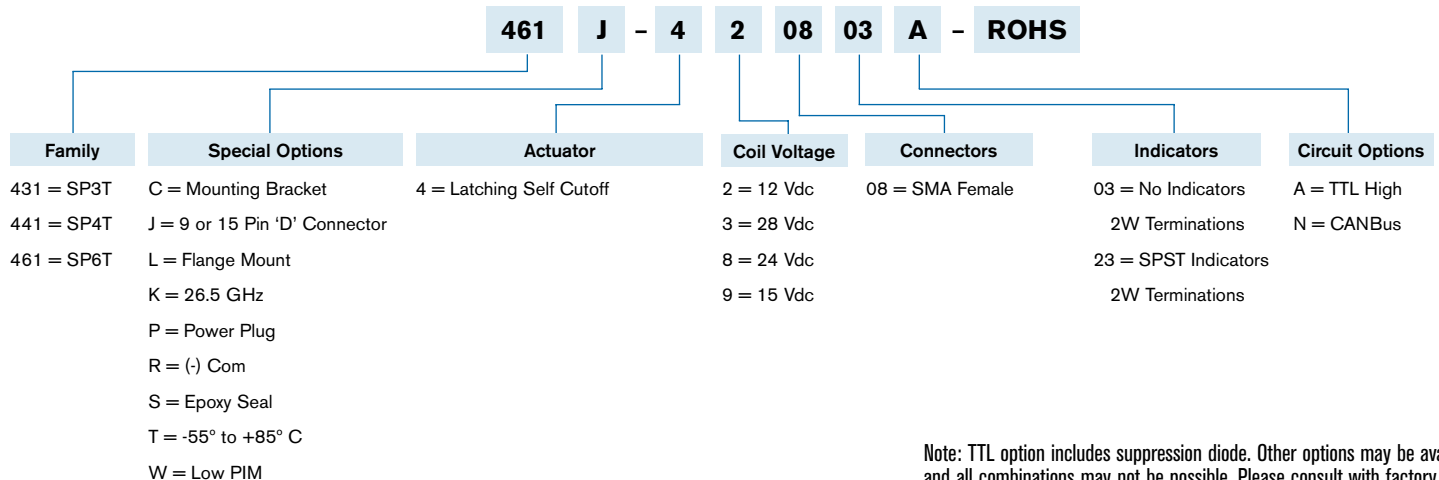


DIM "L" (MAX)	MODEL	ELEC. SCHEM.
2.40 [61.0]	4X1-4X0803	3
2.70 [68.6]	4X1-4X0823	3
3.00 [76.2]	4X1-4X0803A	4
3.00 [76.2]	4X1-4X0823A	4

461-430823 Shown

For Electrical Schematic, see page # 3-21

Part Number Selector



Note: TTL option includes suppression diode. Other options may be available and all combinations may not be possible. Please consult with factory.