

RF Characteristics



Frequency GHz	VSWR (max)	Isolation dB (min)	Ins. Loss dB (max)	RF Power Watts (CW)
DC-1	1.10	80	0.10	80
1-2	1.15	75	0.15	75
2-3	1.20	70	0.30	70

Note: Higher frequency performance available, consult factory.

409 Series SPDT Failsafe

Specifications

Operating Voltage:

(across temperature range)
 12 Vdc (11-14 Vdc)
 28 Vdc (24-32 Vdc)

Coil Current (max @ nom.Vdc & 20°C):

12 Vdc 130 mA
 28 Vdc 55 mA

Switching Time:

20 mS maximum

Operating Temperature:

-30°C to +70°C (Standard)

Mechanical Life, Cycles:

1,000,000 minimum

Vibration, Operating:

10 G RMS, 20-2000 Hz

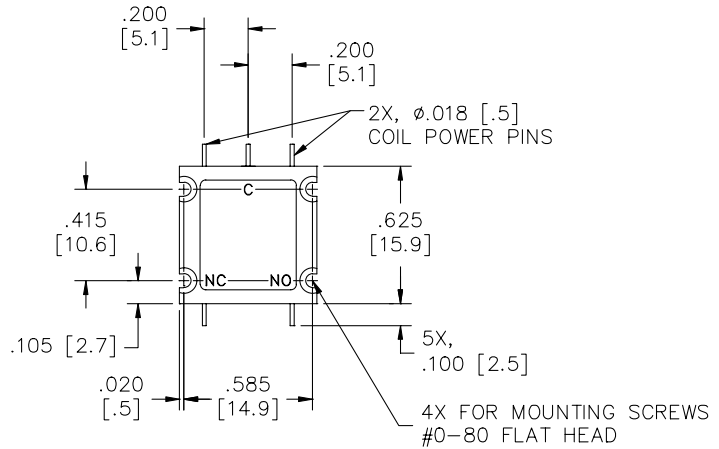
Mechanical Shock, Non-Operating:

50 G, 1/2 Sine, 11 mS

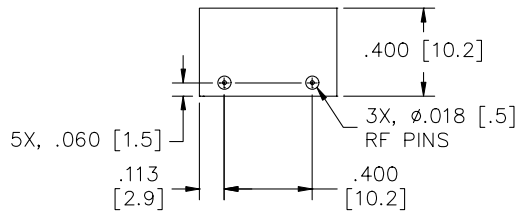
Nominal Weight:

.3 oz., (7.6g.)

Mechanical

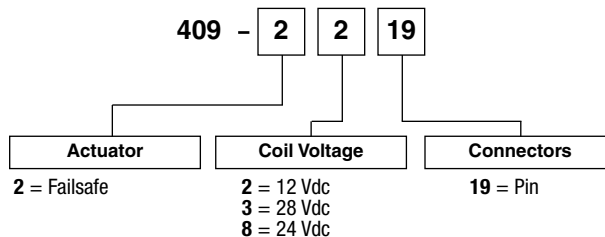


409-2X19 Shown



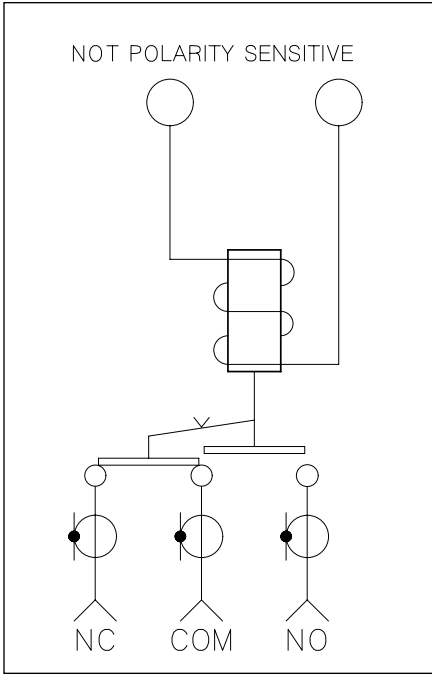
For Electrical Schematic see page # 4-7

Part Number Selection

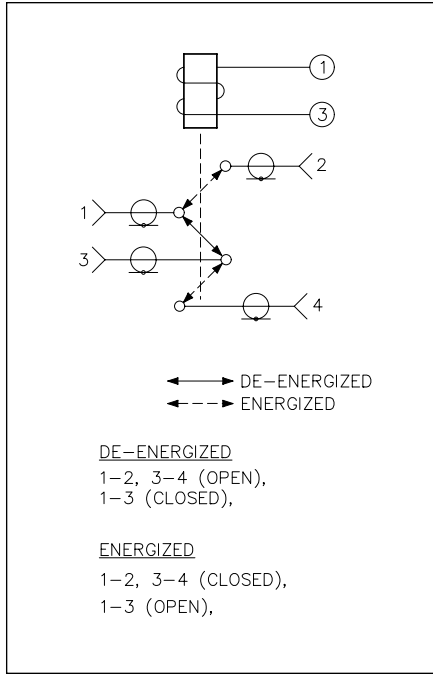




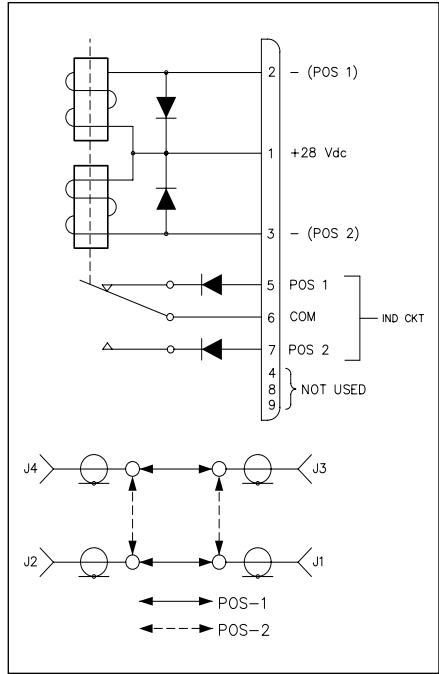
1 409 Failsafe



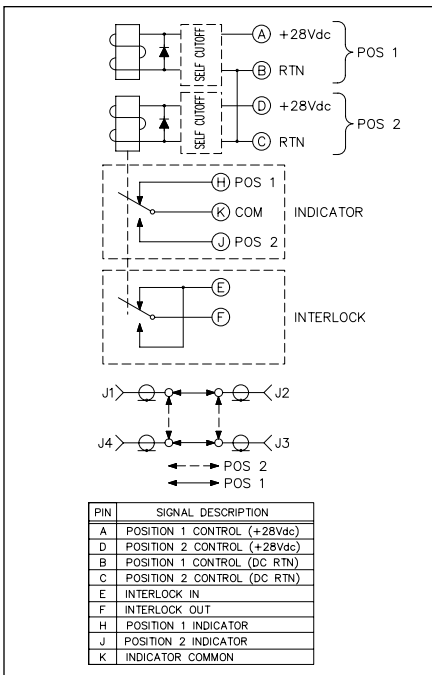
2 411FL Failsafe



3 411JNT Pulse Latching



4 417LP Latching



5 537-567 N.O.

