

REVISIONS			
REV.	DESCRIPTION	DATE	APPROVED
A	PRODUCTION RELEASE	1/06/11	K.R.

Nominal Coil Voltage	Part Number	Flange Type
28 Vdc	WR42T1-4321	COVER FLANGE
28 Vdc	WR42T2-4321	CHOKE FLANGE

REVISIONS	A	A	A			
SHEET NO.	1	2	3			
APPROVALS			DATE			
DRAWN SARA LEE			1/04/11			
ENGINEERING G. NICKLAUS			1/04/11			
QUALITY S. LYNCH			1/05/11			
MANUFACTURING J. LEE			1/06/11			



DowKey®
Microwave
CORPORATION

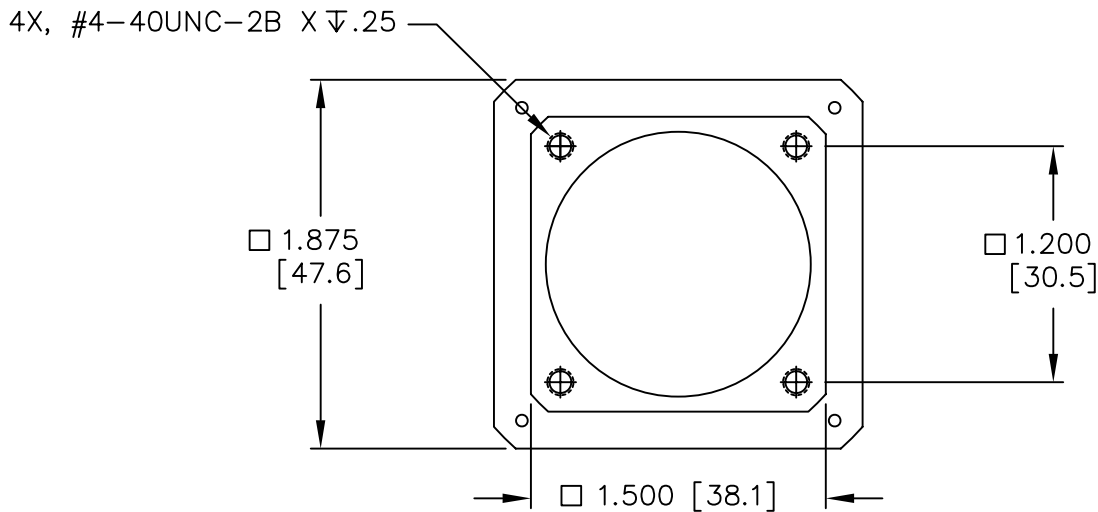
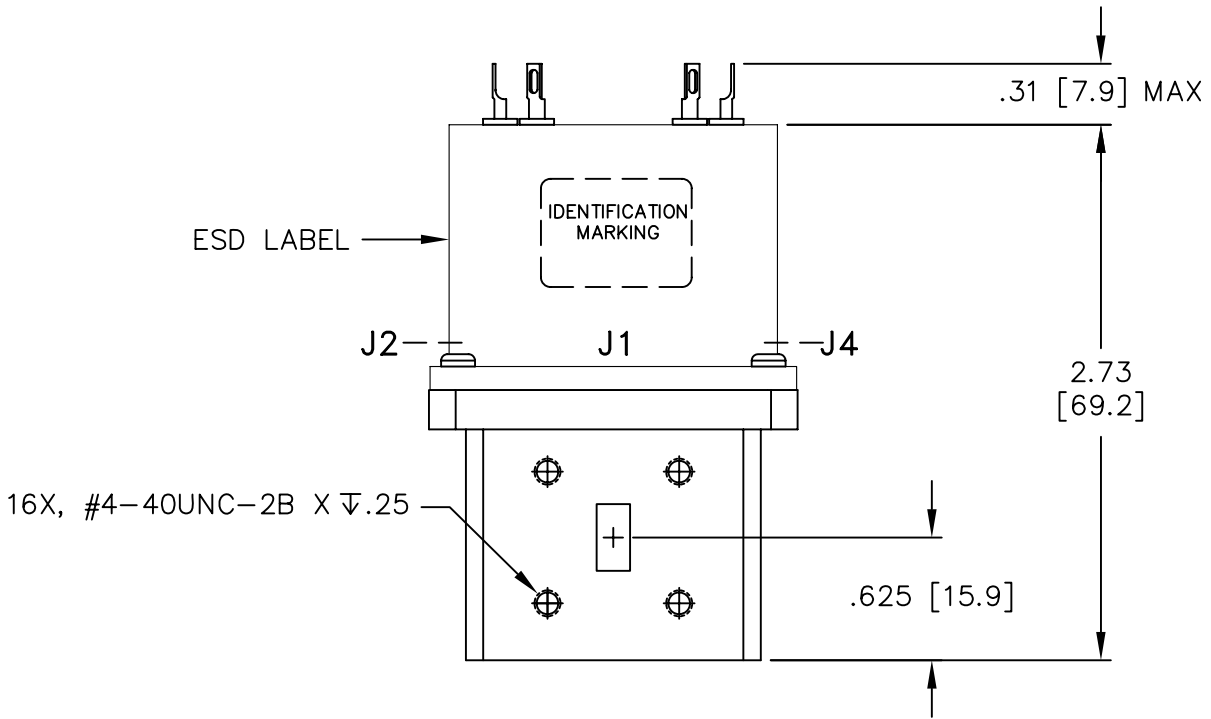
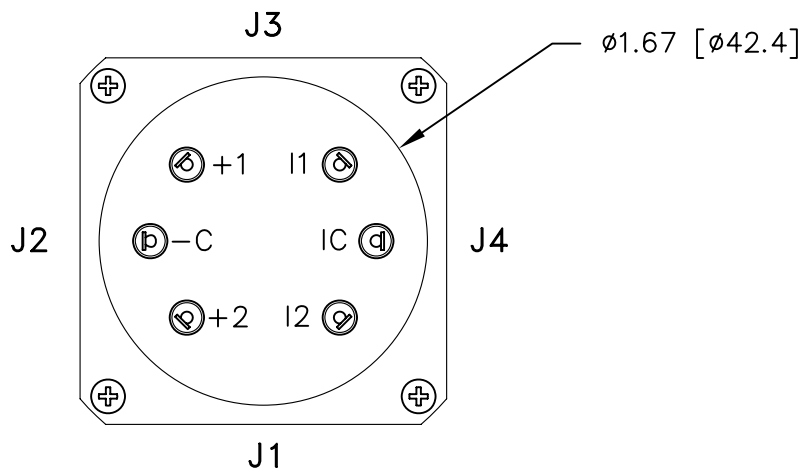
4822 McGrath Street
Ventura, CA. 93003-5641
PH: (805) 650-0260
FAX: (805) 650-1734

A **DOVER** TECHNOLOGIES COMPANY

WR42 WAVEGUIDE SWITCH, TRANSFER,
LATCHING SELF CUT-OFF, 28 VDC
-COMMON, INDICATORS

CODE IDENT. NO. 00471	DWG. NO. WR42TX-4321
SCALE NONE	FINAL ASSY:
SHEET 1 OF 3	

OUTLINE DRAWING:



[] MILLIMETERS

UNLESS OTHERWISE SPECIFIED TOLERANCES ARE: .XXX ±.010 ANGLES: ±3° .XX ±.030	CODE IDENT. NO. 00471	DWG. NO. WR42TX-4321	REV. A
	SCALE NONE	SHEET 2 OF 3	

SPECIFICATIONS:

1. RF CHARACTERISTICS:

1.1 FREQUENCY (GHz):	18.0–26.5
1.2 VSWR (RATIO MAX):	1.13:1
1.3 INSERTION LOSS (dB MAX):	0.12
1.4 ISOLATION (dB MIN):	60

2. ACTUATION DATA:

2.1 OPERATING VOLTAGE:	24–30 Vdc (28Vdc NOMINAL)
2.2 OPERATING CURRENT:	.35A MAX @ 28Vdc & 20°C
2.3 SWITCHING TIME:	100ms MAX
2.4 OPERATING MODE:	LATCHING SELF CUT-OFF

3. MECHANICAL:

3.1 WEIGHT:	300g MAX
3.2 DESIGN LIFE:	200,000 CYCLES

4. ENVIRONMENTAL:

4.1 OPERATING TEMPERATURE:	–54°C TO +85°C
4.2 STORAGE TEMPERATURE:	–54°C TO +85°C

5. MATERIALS AND FINISHES:

5.1 RF WAVEGUIDE HOUSING:	ALUMINUM, CHEM FILM
5.2 ACTUATOR HOUSING:	ALUMINUM, ELECTROLESS NICKEL

SCHEMATIC:

SCHEMATIC DIAGRAM (SHOWN IN POS 1)

