

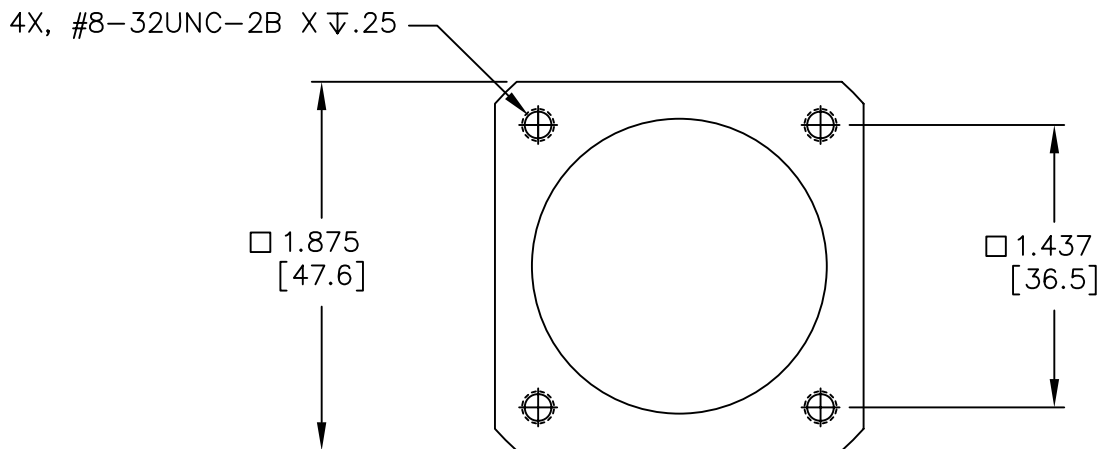
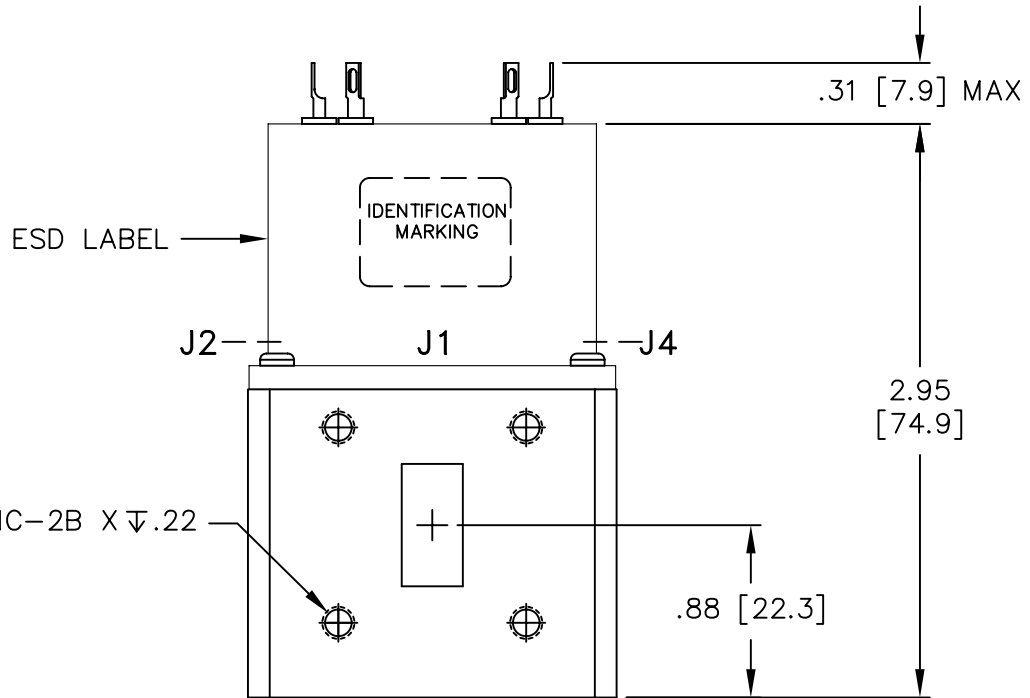
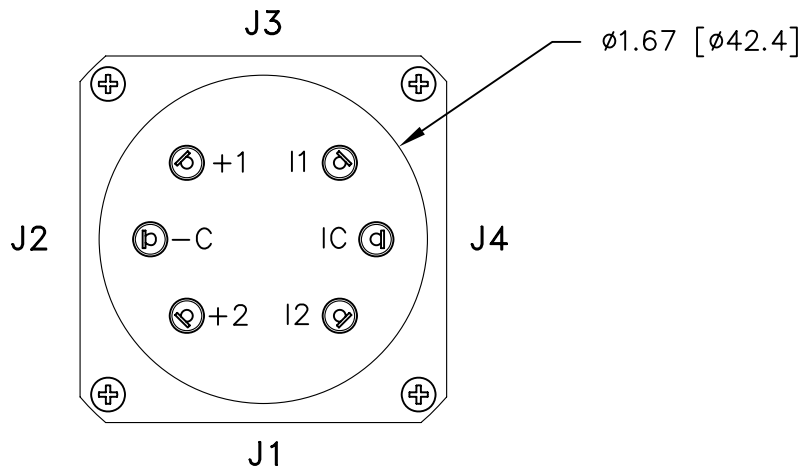


REVISIONS			
REV.	DESCRIPTION	DATE	APPROVED
A	PRODUCTION RELEASE	5/12/08	K.R.

Nominal Coil Voltage	Part Number	Flange Type
28 Vdc	WR62T1-4321	COVER FLANGE
28 Vdc	WR62T2-4321	CHOKE FLANGE

REVISIONS	A	A	A				 <b>DowKey<sup>®</sup> Microwave CORPORATION</b>	4822 McGrath Street Ventura, CA. 93003-5641 PH: (805) 650-0260 FAX: (805) 650-1734
SHEET NO.	1	2	3					
APPROVALS			DATE				 <b>WR62 WAVEGUIDE SWITCH, TRANSFER, LATCHING SELF CUT-OFF, 28 VDC -COMMON, INDICATORS</b>	
DRAWN	S. LEE		5/8/08					
ENG	G. NICKLAUS		5/8/08					
ENG. MGR.	R. SZNUK		5/9/08					
SALES MGR.	J. TRUJILLO		5/12/08					
Q.A. MGR.	N. SANDERS		5/8/08					
MFG. MGR.	R. GONZALEZ		5/9/08				CODE IDENT. NO. <b>00471</b>	DWG. NO. <b>WR62TX-4321</b>
SCALE			NONE			FINAL ASSY:		SHEET 1 OF 3

OUTLINE DRAWING:



[ ] MILLIMETERS

UNLESS OTHERWISE SPECIFIED TOLERANCES ARE: .XXX ±.010 ANGLES: ±3° .XX ±.030	CODE IDENT. NO. 00471	DWG. NO. WR62TX-4321	REV. A
	SCALE NONE	SHEET 2 OF 3	

## SPECIFICATIONS:

### 1. RF CHARACTERISTICS:

1.1 FREQUENCY (GHz):	12.4–18.0
1.2 VSWR (RATIO MAX):	1.10:1
1.3 INSERTION LOSS (dB MAX):	0.10
1.4 ISOLATION (dB MIN):	60

### 2. ACTUATION DATA:

2.1 OPERATING VOLTAGE:	24–30 Vdc (28Vdc NOMINAL)
2.2 OPERATING CURRENT:	.35A MAX @ 28Vdc & 20°C
2.3 SWITCHING TIME:	100ms MAX
2.4 OPERATING MODE:	LATCHING SELF CUT-OFF

### 3. MECHANICAL:

3.1 WEIGHT:	300g MAX
3.2 DESIGN LIFE:	200,000 CYCLES

### 4. ENVIRONMENTAL:

4.1 OPERATING TEMPERATURE:	–54°C TO +85°C
4.2 STORAGE TEMPERATURE:	–54°C TO +85°C

### 5. MATERIALS AND FINISHES:

5.1 RF WAVEGUIDE HOUSING:	ALUMINUM, CHEM FILM
5.2 ACTUATOR HOUSING:	ALUMINUM, ELECTROLESS NICKEL

## SCHEMATIC:

### SCHEMATIC DIAGRAM (SHOWN IN POS 1)

