

REVISIONS			
REV.	DESCRIPTION	DATE	APPROVED
A	PRODUCTION RELEASE	5/10/04	J.S.
B	REVISED PER ECO #10635	7/18/13	K.R.

Nominal Coil Voltage	Part Number
12 Vdc	401Y-4211
15 Vdc	401Y-4911
24 Vdc	401Y-4811
28 Vdc	401Y-4311

REVISIONS	B	B	B			
SHEET NO.	1	2	3			
APPROVALS		DATE				
DRAWN E. DELA CRUZ		05/05/04				
ENGINEERING R. SZNUK		05/05/04				
QUALITY S. EVERETT		05/10/04				
MANUFACTURING G. NICKLAUS		05/10/04				



DowKey®
Microwave
CORPORATION

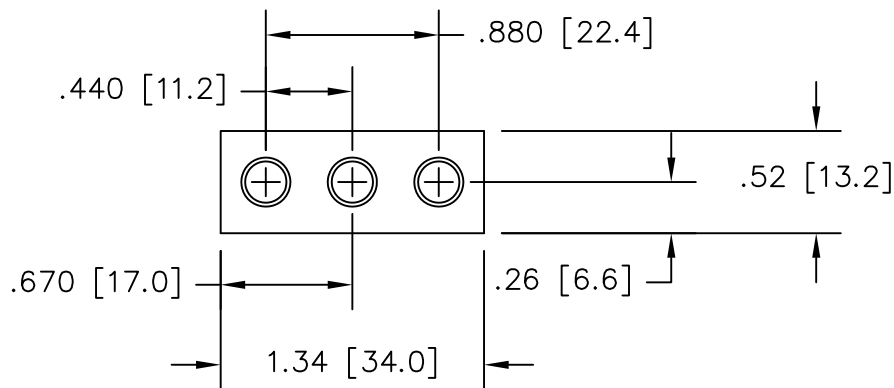
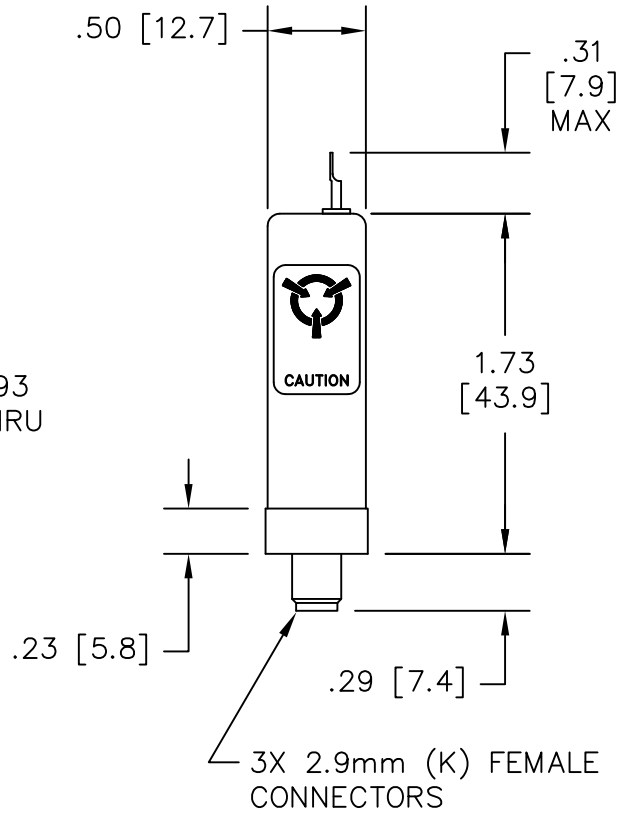
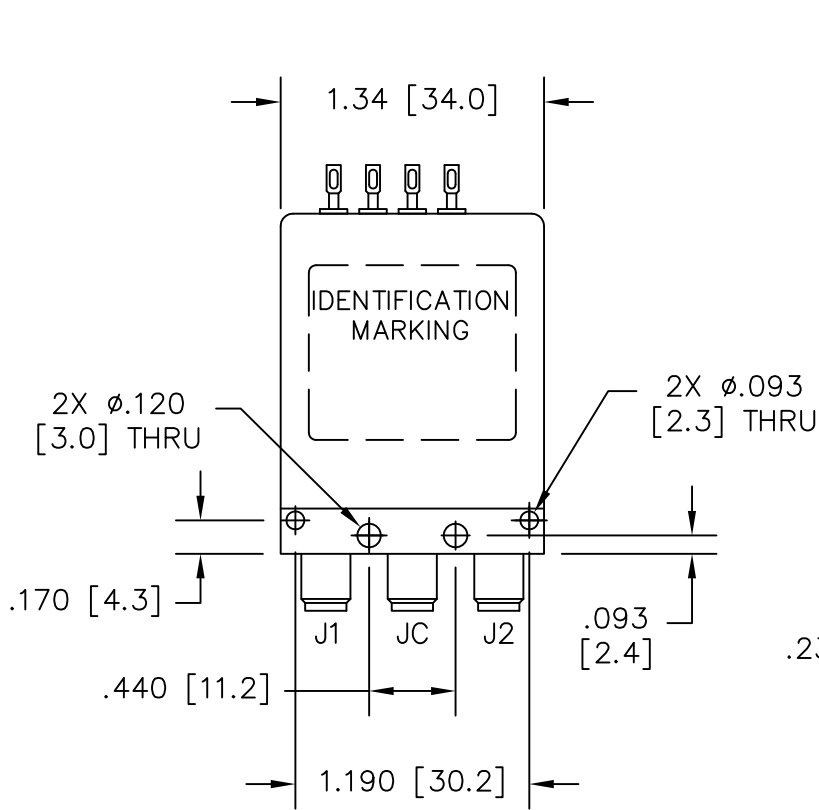
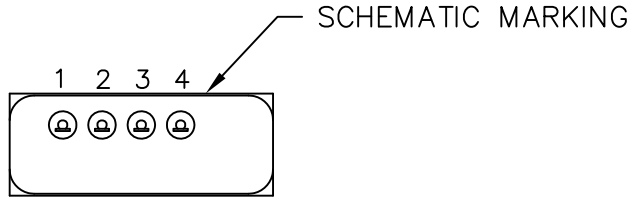
4822 McGrath Street
Ventura, CA. 93003-5641
PH: (805) 650-0260
FAX: (805) 650-1734

A **DOVER** TECHNOLOGIES COMPANY

SW, SPDT LATCHING SELF CUT-OFF
2.9mm (K) FEMALE CONNECTORS
DC-40 GHz

CODE IDENT. NO. 00471	DWG. NO. 401Y-4X11
SCALE NONE	FINAL ASSY:
SHEET 1 OF 3	

OUTLINE DRAWING:



[] MILLIMETERS

UNLESS OTHERWISE SPECIFIED TOLERANCES ARE:
 .XXX \pm .010 ANGLES: \pm 3'
 .XX \pm .030

CODE IDENT. NO.
 00471

DWG. NO.
 401Y-4X11

REV.
 B

SCALE NONE

SHEET 2 OF 3

SPECIFICATIONS:

1. RF CHARACTERISTICS:

1.1 FREQUENCY (GHz):	DC-6	6-12	12-18	18-26.5	26.5-40
1.2 VSWR (RATIO MAX):	1.30:1	1.40:1	1.50:1	1.70:1	1.95:1
1.3 INSERTION LOSS (dB MAX):	0.30	0.40	0.50	0.70	0.95
1.4 ISOLATION (dB MIN):	70	60	60	55	50
1.5 RF POWER (WATTS CW MAX):	80	60	50	25	10

RF POWER TEST CONDITIONS – SEA LEVEL, +25°C, LOAD VSWR 1:1

2. ACTUATION DATA:

2.1

NOMINAL VOLTAGE	OPERATING VOLTAGE	CURRENT (TYP) @ NOMINAL VOLTAGE & 25°C
12	11-14	220mA
15	13-17	110mA
24	20-28	125mA
28	24-32	110mA

2.2 SWITCHING TIME: 15ms MAX

2.3 OPERATING MODE: LATCHING SELF CUT-OFF

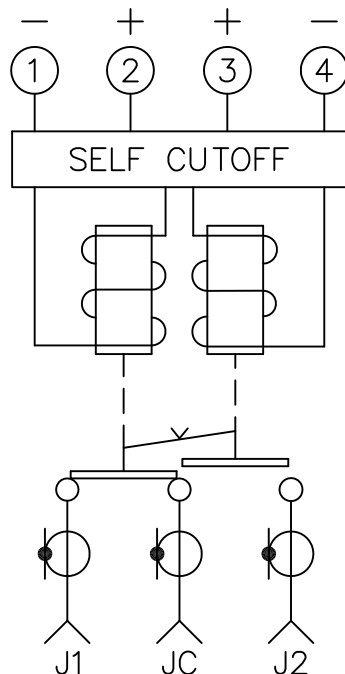
3. MECHANICAL:

3.1 RF CONTACTS:	BREAK BEFORE MAKE
3.2 WEIGHT:	1.4oz. (40g.) NOMINAL
3.3 DESIGN LIFE:	1,000,000 CYCLES MIN

4. ENVIRONMENTAL:

4.1 OPERATING TEMPERATURE:	-25°C TO +65°C
4.2 STORAGE TEMPERATURE:	-55°C TO +85°C
4.3 SEAL:	EPOXY SEALED

SCHEMATIC:



CODE IDENT. NO. 00471	DWG. NO. 401Y-4X11	REV. B
SCALE NONE	SHEET 3 OF 3	