



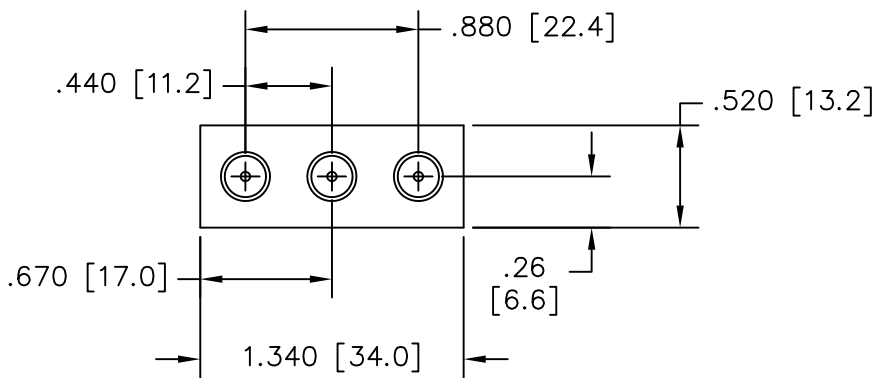
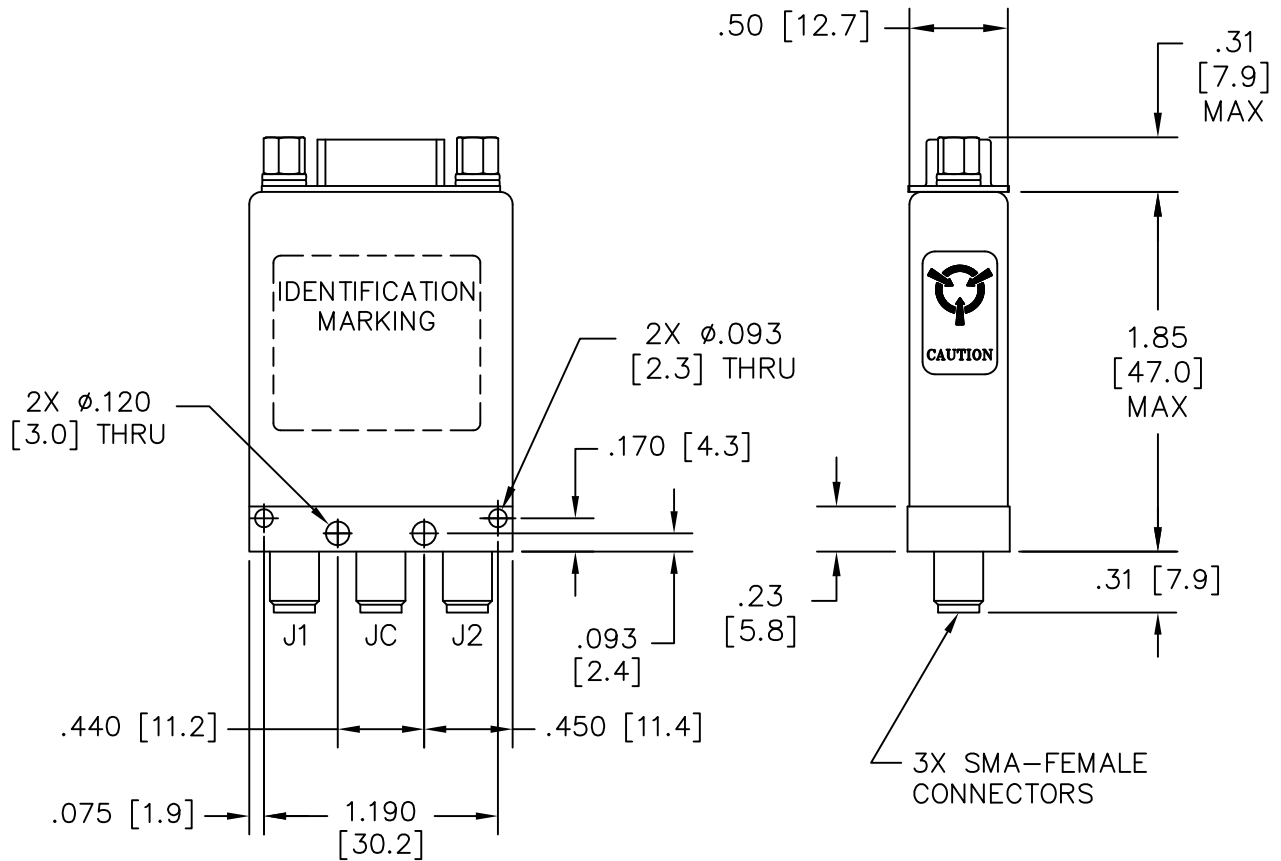
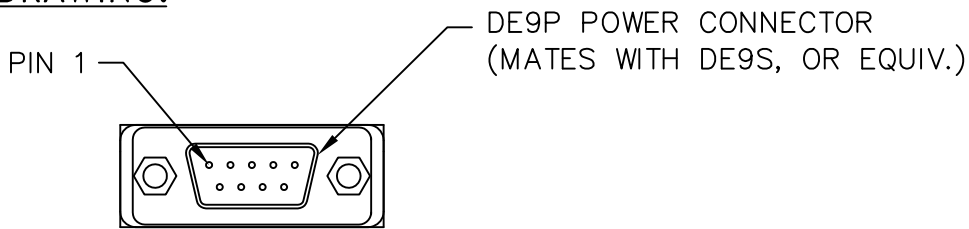
REVISIONS			
REV.	DESCRIPTION	DATE	APPROVED
A	PRODUCTION RELEASE	8/24/11	K.R.

Nominal Coil Voltage	Part Number
12 Vdc	401JW-420832
28 Vdc	401JW-430832

Dow-Key has certified the product line to meet the passive intermodulation limits specified herein. PIM measurements may vary when different carrier frequencies, power levels, and/or PIM frequencies are used in the final application. PIM testing is not conducted as a part of the standard product acceptance test.

REVISIONS	A	A	A				 <b>DowKey® Microwave CORPORATION</b>	4822 McGrath Street Ventura, CA. 93003-5641 PH: (805) 650-0260 FAX: (805) 650-1734
SHEET NO.	1	2	3					
APPROVALS		DATE						SWITCH, SPDT, LATCHING SELF CUT-OFF SMA-FEMALE CONNECTORS, DE9P DC CONN. LOW PASSIVE INTERMODULATION, (PIM)
DRAWN SARA LEE		08/17/11						
ENGINEERING G. NICKLAUS		08/17/11						
QUALITY G. WAKEFIELD		8/23/11						
MANUFACTURING J. LEE		08/24/11						
CODE IDENT. NO. 00471				DWG. NO. 401JW-4X0832				
SCALE NONE			FINAL ASSY:			SHEET 1 OF 3		

**OUTLINE DRAWING:**



[ ] MILLIMETERS

UNLESS OTHERWISE SPECIFIED TOLERANCES ARE: .XXX ±.010 ANGLES: ±3° .XX ±.030	CODE IDENT. NO. 00471	DWG. NO. 401JW-4X0832	REV. A
	SCALE NONE	SHEET 2 OF 3	

# SPECIFICATIONS:

## 1. RF CHARACTERISTICS:

1.1 FREQUENCY (GHz):	DC-1	1-4	4-8	8-12	12-18
1.2 VSWR (RATIO MAX):	1.10:1	1.15:1	1.20:1	1.30:1	1.35:1
1.3 INSERTION LOSS (dB MAX):	0.10	0.15	0.20	0.30	0.35
1.4 ISOLATION (dB MIN):	85	80	70	65	60
1.5 RF POWER (WATTS CW MAX):	200	150	125	75	60
1.6 PASSIVE INTERMODULATION:					

TEST SIGNALS: CARRIER FREQUENCY 1: 1930 MHz, APPROXIMATELY 43dBm (20W)  
 CARRIER FREQUENCY 2: 1990 MHz, APPROXIMATELY 43dBm (20W)  
 SPECIFICATION REQUIREMENT: 3rd ORDER PIM PERFORMANCE: BELOW -160 dBc  
 3rd ORDER PIM FREQUENCY: 1870 MHz

## 2. ACTUATION DATA:

2.1

NOMINAL VOLTAGE	OPERATING VOLTAGE	CURRENT (MAX) @ NOMINAL VOLTAGE & 25°C
12	11-16	75mA
28	24-32	120mA

2.2 SWITCHING TIME:	15ms MAX
2.3 OPERATING MODE:	LATCHING SELF CUT-OFF

## 3. MECHANICAL:

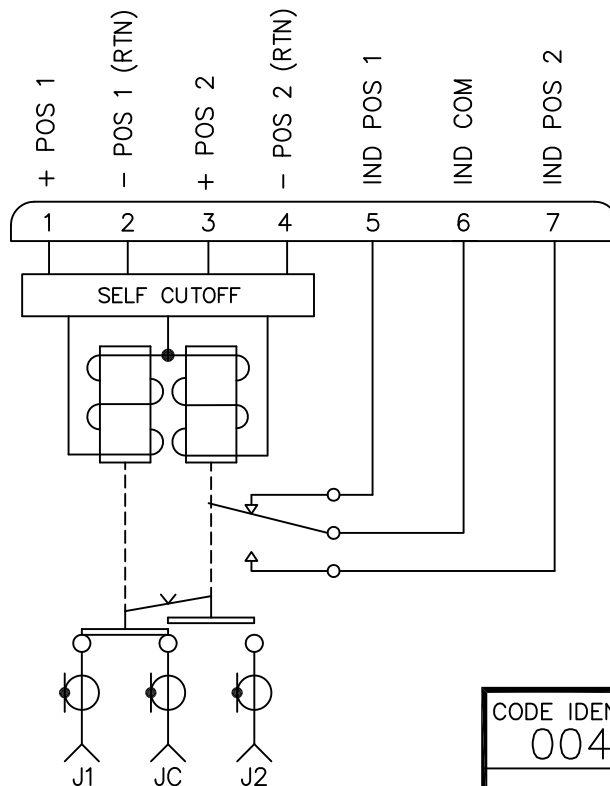
3.1 RF CONTACTS:	BREAK BEFORE MAKE
3.2 WEIGHT:	1.7oz. (48g.) NOMINAL
3.3 DESIGN LIFE:	1,000,000 CYCLES MIN

## 4. ENVIRONMENTAL:

4.1 OPERATING TEMPERATURE:	-25°C TO +65°C
4.2 STORAGE TEMPERATURE:	-55°C TO +85°C
4.3 SEAL:	EPOXY SEALED

# SCHEMATIC:

SCHEMATIC SHOWN IN POSITION 1



CONNECTOR PIN-OUT	
PIN	FUNCTION
1	+ POS 1
2	- POS 1 (RTN)
3	+ POS 2
4	- POS 2 (RTN)
5	IND. POS. 1
6	IND. COM
7	IND. POS. 2
8-9	SPARE

CODE IDENT. NO. 00471	DWG. NO. 401JW-4X0832	REV. A
SCALE NONE	SHEET 3 OF 3	