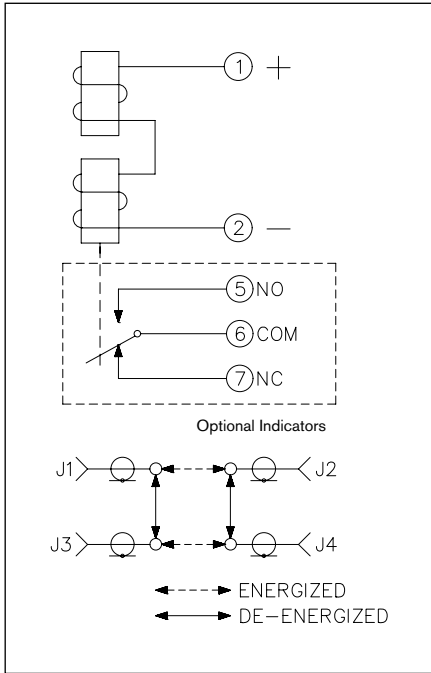
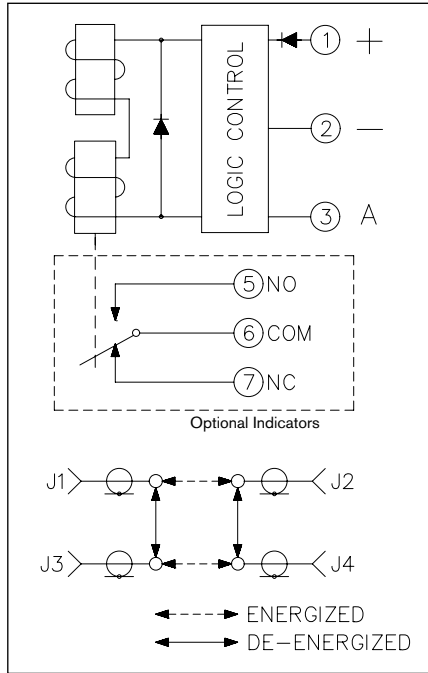


01 411C/412 Failsafe



02 411C/412 Failsafe TTL



03 Logic Truth Table

FAILSAFE TTL - SCH #2

LOGIC TRUTH TABLE		
RF PATH	INDICATOR PATH	LOGIC INPUT "A"
J1-J3/J2-J4	NC-COM	0
J1-J2/J3-J4	NO-COM	1

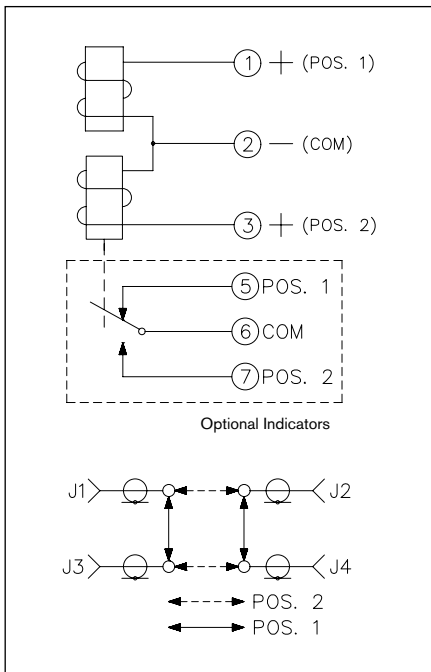
"0" = 0.0V-0.8V
"1" = 2.4V-5.5V

SELF CUTOFF TTL - SCH #6

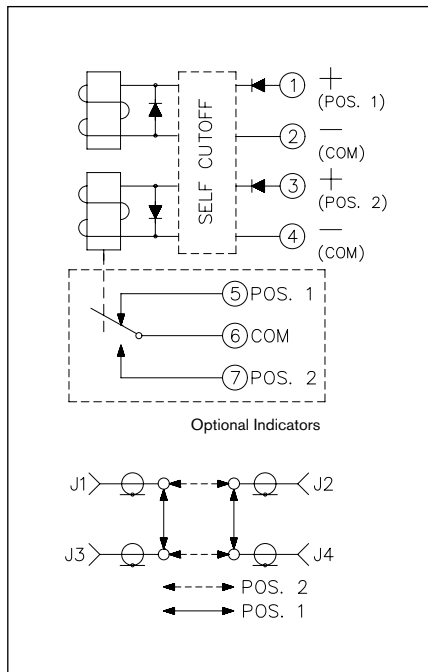
LOGIC TRUTH TABLE			
RF PATH	INDICATOR PATH	LOGIC INPUT "A"	LOGIC INPUT "B"
J1-J3/J2-J4	COM-1	1	0
J1-J2/J3-J4	COM-2	0	1

"0" = 0.0V-0.8V
"1" = 2.4V-5.5V

04 411C/412 Pulse



05 411C/412 Self Cutoff



06 411C/412 Self Cutoff TTL

