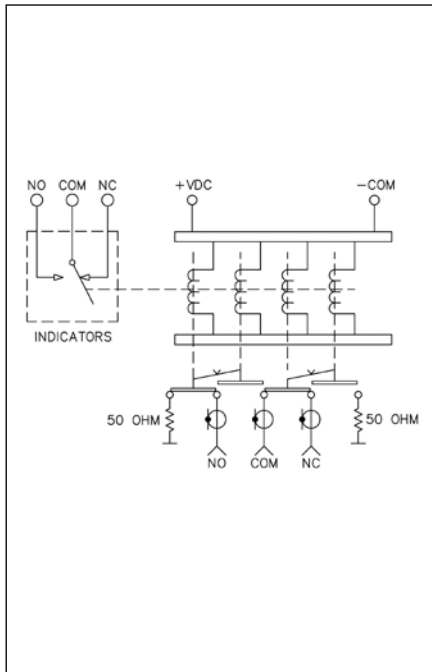
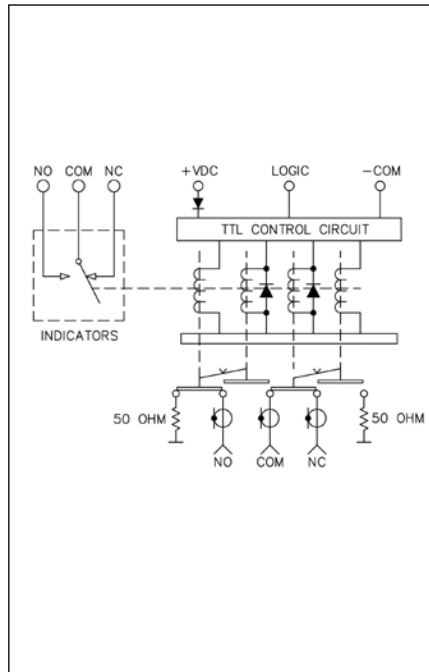


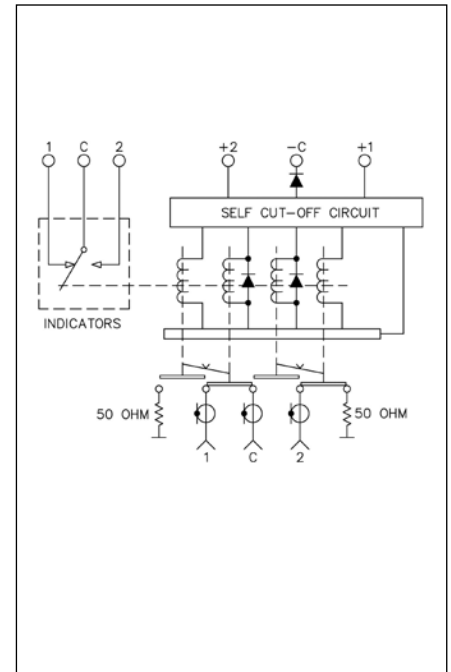
01 521U/521Y Failsafe



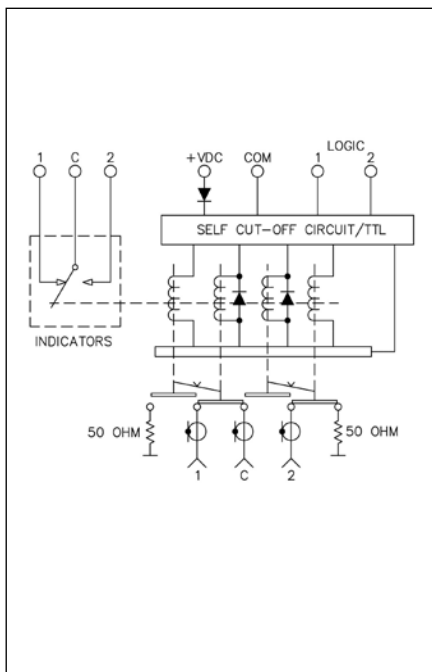
02 521U/521Y Failsafe TTL



03 521U/521Y Self Cutoff



04 521U/521Y Self Cutoff TTL



05 521U/521Y Logic Truth Table

FAILSAFE TTL - SCH #2

LOGIC TRUTH TABLE		
RF PATH	INDICATOR PATH	LOGIC INPUT
NC-COM	NC-COM	0
NO-COM	NO-COM	1

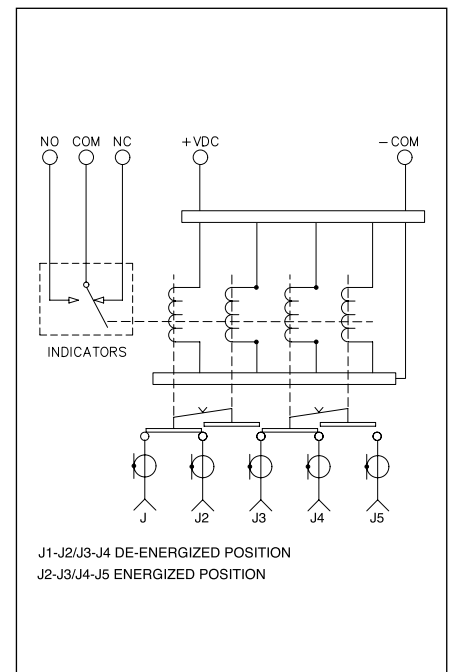
LOGIC HI (ON) 1 = 2.4-5.5Vdc
 LOGIC LOW (OFF) 0 = 0-0.8Vdc

SELF CUTOFF TTL - SCH #4

LOGIC TRUTH TABLE		
RF PATH	LOGIC INPUT "1"	LOGIC INPUT "2"
C-1	1	0
C-2	0	1

LOGIC HI (ON) = 2.4-5.5Vdc
 LOGIC LOW (OFF) = 0-0.8Vdc

06 521U Unterminated



Note: Diagram shown as Failsafe Unterminated. Consult with factory for other options.