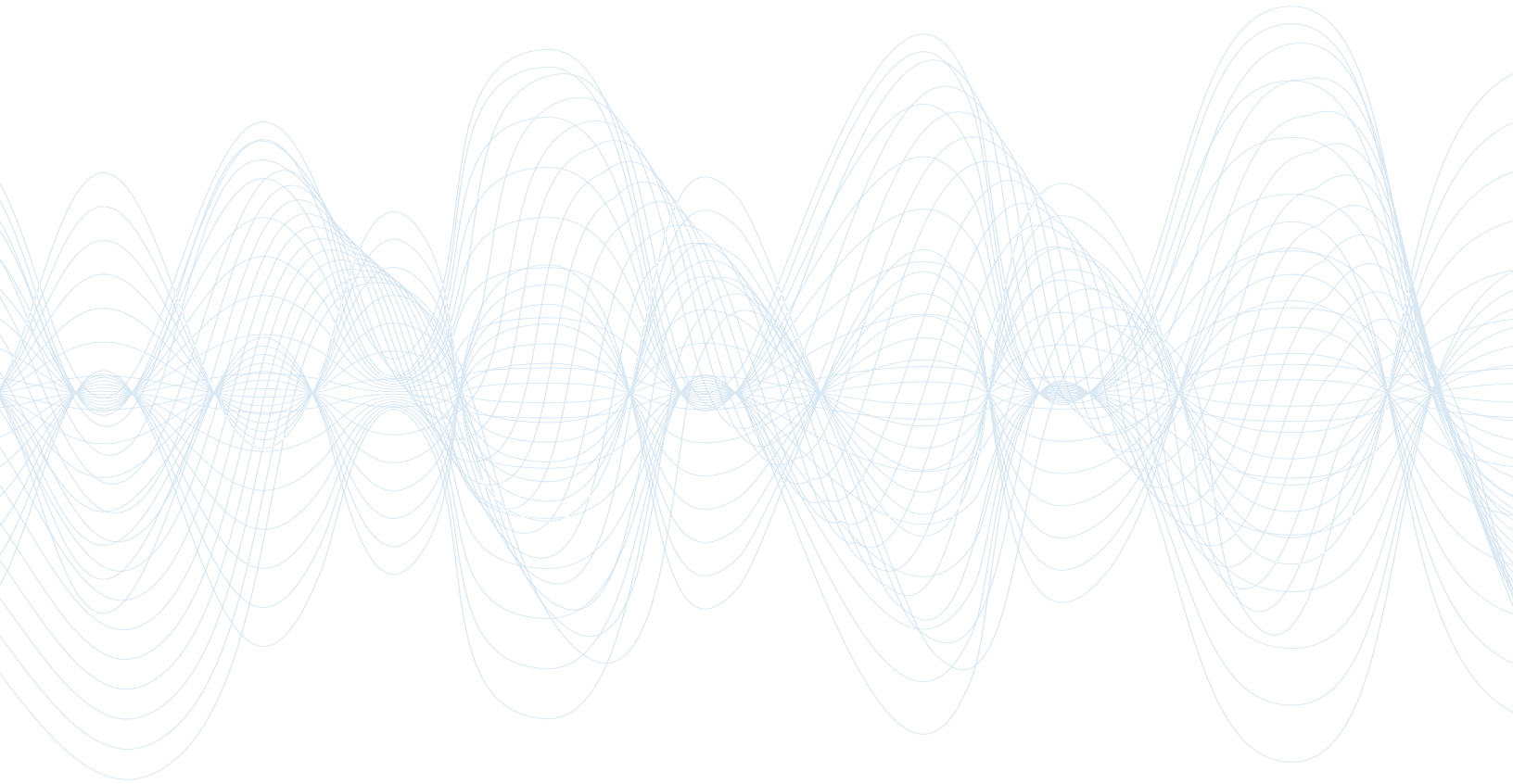


WAVEGUIDE





- WRD 750D24
- Double Rigid
- 2K Life Cycles

RF Characteristics

Frequency GHz	VSWR (max)	Isolation dB (min)	Ins. Loss dB (max)
7.5-17.5	1.25	60	0.25

Specifications

Operating Voltage:

28 Vdc (24-30 Vdc)

Coil Current (max. @ nom. Vdc & 20°C):

28 Vdc 1.0 A

Switching Time:

100 ms maximum

Operating Temperature:

-54°C to +84°C

Mechanical Life Cycles:

200,000 minimum

Actuator Data:

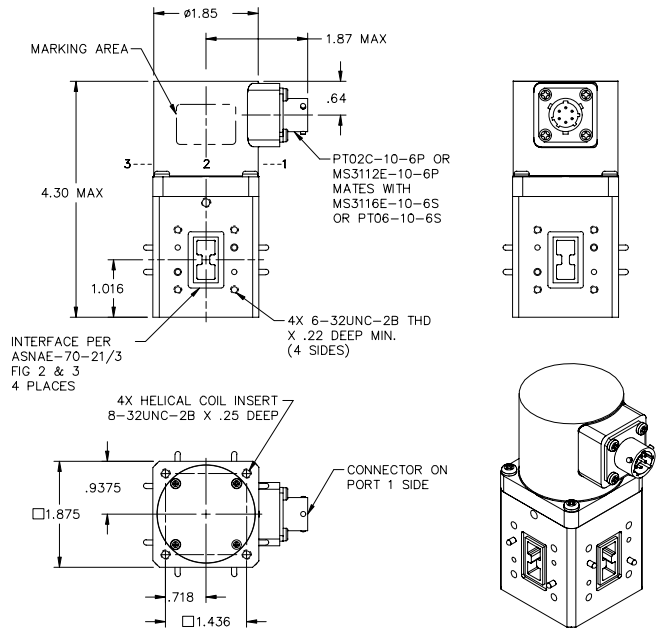
Actuator: Transactor

Duty: Continuous Operation

Weight (max.):

1.3 lbs (590 g.)

Mechanical



For Electrical Schematic, see page # 5-5

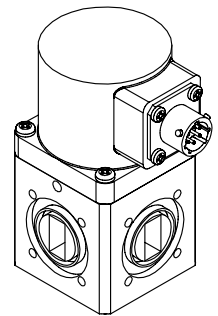
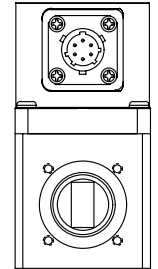
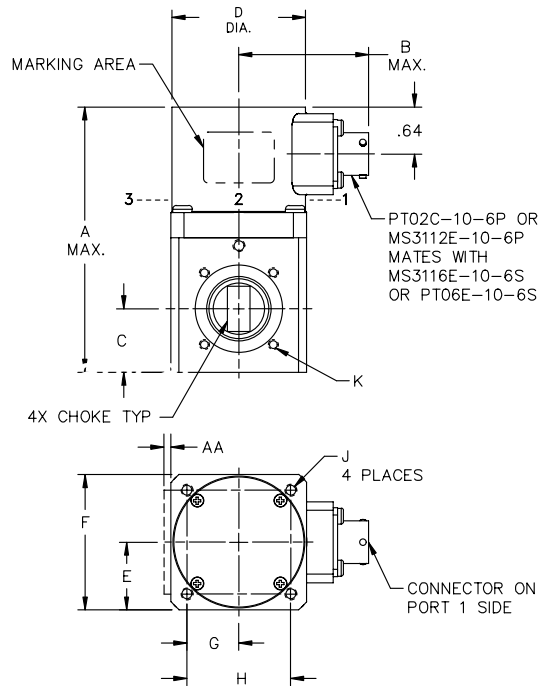
Part Number Selector

Part Number	Part Description	Sch. Dia.
30C01200	Latching, DPDT, Indicator Circuit	1
30C01300	Latching, SPDT, Indicator Circuit	3
30C02000	Failsafe, DPDT, Indicator Circuit	2
30C02000	Failsafe, SPDT, Indicator Circuit	4

Mechanical



- WR 62 - WR 284
- Flange Cover
- 2K Life Cycles



Specifications

Operating Voltage:

28 Vdc (24-30 Vdc)

RF Characteristics:

Freq. Range: See Chart

VSWR: 1.0:1 Max

Isolation: 60 dB Min.

Insertion Loss: See Chart

Operating Temperature:

-54°C to +84°C

Mechanical Life Cycles:

200,000 minimum

Vibration, Operating:

10G RMS, 20-2000 Hz

Actuator Data:

Actuator: Rotary

Duty: Continuous Operation

For Electrical Schematic, see page # 5-5

Part Number Selector

SPDT: White Rows DPDT: Blue Rows

Part No.	Wavesize Guide	Sch. Dia	Switch Type	Frequency Range, GHz	Switching Time, Max. (ms)	Current, AMP Max (28 Vdc, 20° C)	Insertion Loss, Max. (dB)	AA Max.	A	B	C	D	E	F	G	H	J	K	Weight, Max. (lbs)
33D00100	WR 62	2	Failsafe	12.4 - 18.0	100	0.5	0.10	-	3.80	1.87	0.877	1.85	0.9375	1.875	0.718	1.437	#8-32 x .25 Deep	#6-32 x .22 Deep	1.3
33D00200	WR 62	1	Latching	12.4 - 18.0	100	1.0	0.10	-	4.00	1.87	0.877	1.85	0.9375	1.875	0.718	1.437	#8-32 x .25 Deep	#6-32 x .22 Deep	1.3
33D00300	WR 62	4	Failsafe	12.4 - 18.0	100	0.5	0.10	0.10	3.80	1.87	0.877	1.85	0.9375	1.875	0.718	1.437	#8-32 x .25 Deep	#6-32 x .22 Deep	1.3
33D00400	WR 62	3	Latching	12.4 - 18.0	100	1.0	0.10	0.10	4.00	1.87	0.877	1.85	0.9375	1.875	0.718	1.437	#8-32 x .25 Deep	#6-32 x .22 Deep	1.3
33D09100	WR 75	2	Failsafe	10.0 - 15.0	100	0.5	0.10	-	3.95	1.87	0.941	1.85	0.9375	1.875	0.718	1.437	#8-32 x .25 Deep	#6-32 x .22 Deep	1.4
33D09200	WR 75	1	Latching	10.0 - 15.0	100	1.0	0.10	-	4.15	1.87	0.941	1.85	0.9375	1.875	0.718	1.437	#8-32 x .25 Deep	#6-32 x .22 Deep	1.4
33D09300	WR 75	4	Failsafe	10.0 - 15.0	100	0.5	0.10	0.10	3.95	1.87	0.941	1.85	0.9375	1.875	0.718	1.437	#8-32 x .25 Deep	#6-32 x .22 Deep	1.4
33D09400	WR 75	3	Latching	10.0 - 15.0	100	1.0	0.10	0.10	4.15	1.87	0.941	1.85	0.9375	1.875	0.718	1.437	#8-32 x .25 Deep	#6-32 x .22 Deep	1.4
33D01100	WR 90	2	Failsafe	8.20 - 12.40	100	0.5	0.10	-	4.05	1.87	1.016	1.85	0.9375	1.875	0.718	1.437	#8-32 x .25 Deep	#6-32 x .22 Deep	1.4
33D01200	WR 90	1	Latching	8.20 - 12.40	100	1.0	0.10	-	4.30	1.87	1.016	1.85	0.9375	1.875	0.718	1.437	#8-32 x .25 Deep	#6-32 x .22 Deep	1.4
33D01300	WR 90	4	Failsafe	8.20 - 12.40	100	0.5	0.10	0.13	4.05	1.87	1.016	1.85	0.9375	1.875	0.718	1.437	#8-32 x .25 Deep	#6-32 x .22 Deep	1.4
33D01400	WR 90	3	Latching	8.20 - 12.40	100	1.0	0.10	0.13	4.30	1.87	1.016	1.85	0.9375	1.875	0.718	1.437	#8-32 x .25 Deep	#6-32 x .22 Deep	1.4
33D03200	WR 112	1	Latching	7.05 - 10.0	100	1.0	0.08	-	5.10	2.07	1.245	2.25	1.187	2.375	1.000	2.000	#10-32 x .31 Deep	#8-32 x .28 Deep	2.3
33D03400	WR 112	3	Latching	7.05 - 10.0	100	1.0	0.08	0.13	5.10	2.07	1.245	2.25	1.187	2.375	1.000	2.000	#10-32 x .31 Deep	#8-32 x .28 Deep	2.3
33D04200	WR 137	1	Latching	5.85 - 8.20	150	1.0	0.08	-	7.00	2.57	1.750	3.25	2.125	4.250	1.750	3.500	#1/4-20 x .40 Deep	#10-32 x .30 Deep	8.3
33D04400	WR 137	3	Latching	5.85 - 8.20	150	1.0	0.08	0.13	7.00	2.57	1.750	3.25	2.125	4.250	1.750	3.500	#1/4-20 x .40 Deep	#10-32 x .30 Deep	8.3
33D06200	WR 187	1	Latching	3.95 - 5.85	150	1.0	0.05	-	7.50	2.57	2.000	3.25	2.125	4.250	1.750	3.500	#1/4-20 x .40 Deep	#10-32 x .30 Deep	9.0
33D06400	WR 187	3	Latching	3.95 - 5.85	150	1.0	0.05	0.13	7.50	2.57	2.000	3.25	2.125	4.250	1.750	3.500	#1/4-20 x .40 Deep	#10-32 x .30 Deep	9.0
33D08200	WR 284	1	Latching	2.60 - 3.95	500	1.5	0.05	-	9.00	2.57	2.570	3.25	2.937	5.875	2.375	4.750	#1/4-20 x .50 Deep	#1/4-20 x .40 Deep	17.0
33D08400	WR 284	3	Latching	2.60 - 3.95	500	1.5	0.05	0.15	9.00	2.57	2.750	3.25	2.937	5.875	2.375	4.750	#1/4-20 x .50 Deep	#1/4-20 x .40 Deep	17.0



- WR 62 - WR 112
- 2K Cycles
- Reduced Weight
- Reduced Current Consumption

RF Characteristics

Frequency GHz	VSWR (max)	Isolation dB (min)	Ins. Loss dB (max)
WR 62 (12.4-18.0)	1.10	60	0.10
WR 75 (10.0-15.0)	1.15	60	0.10
WR 90 (8.20-12.40)	1.15	60	0.10
WR 112 (7.05-10.0)	1.10	60	0.10

Specifications

Operating Voltage:

28 Vdc (24-30 Vdc)

Coil Current (max. @ nom. Vdc & 20°C)*:

28 Vdc 350 mA

Switching Time:

100 ms maximum (WR 62 thru WR 90)
200 ms maximum (WR 112)

Operating Temperature:

-54°C to +85°C

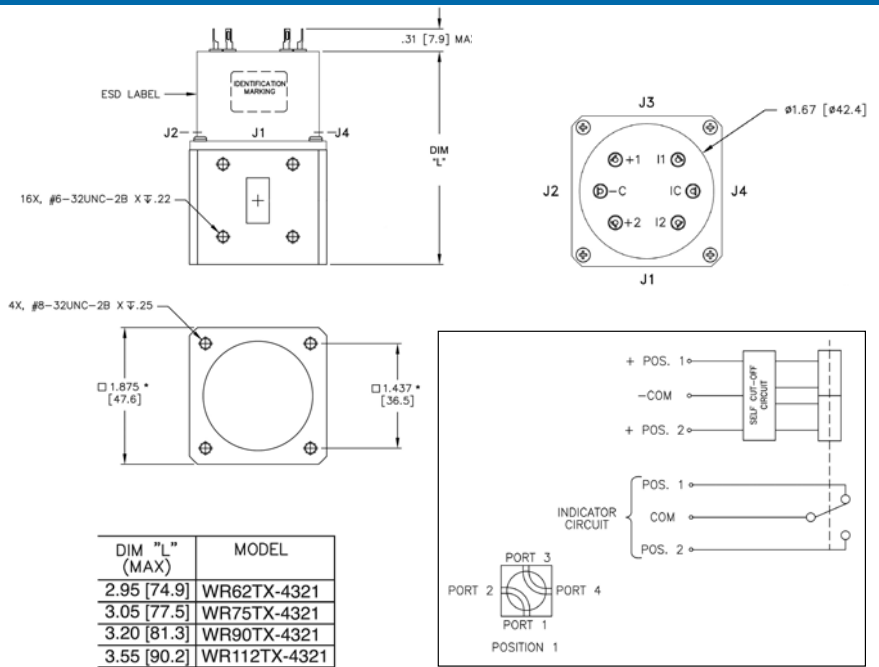
Mechanical Life Cycles:

200,000 minimum

Nominal Weight:

10.58 oz. (300 g.) for WR 62 thru WR 90
17.64 oz. (500 g.) for WR 112

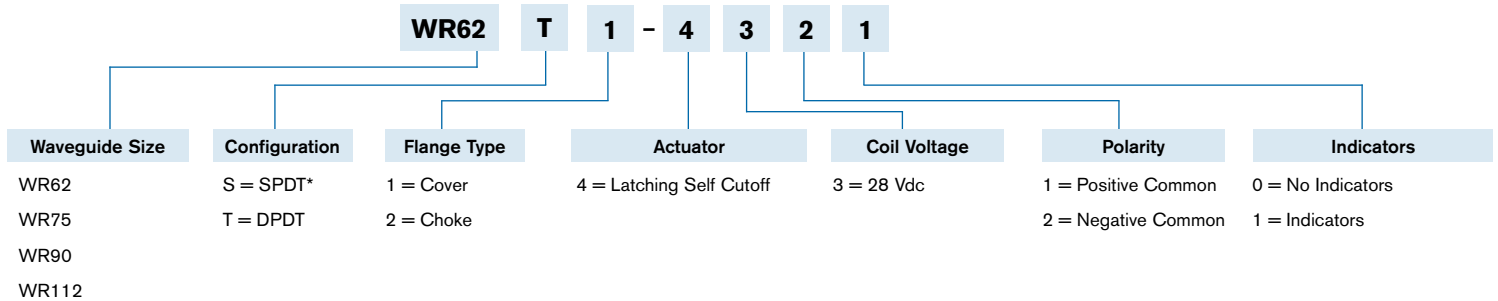
Mechanical / Electrical Schematic



Note: Dimensions are the same for WR 62 thru WR 90 but slightly larger for WR 112.

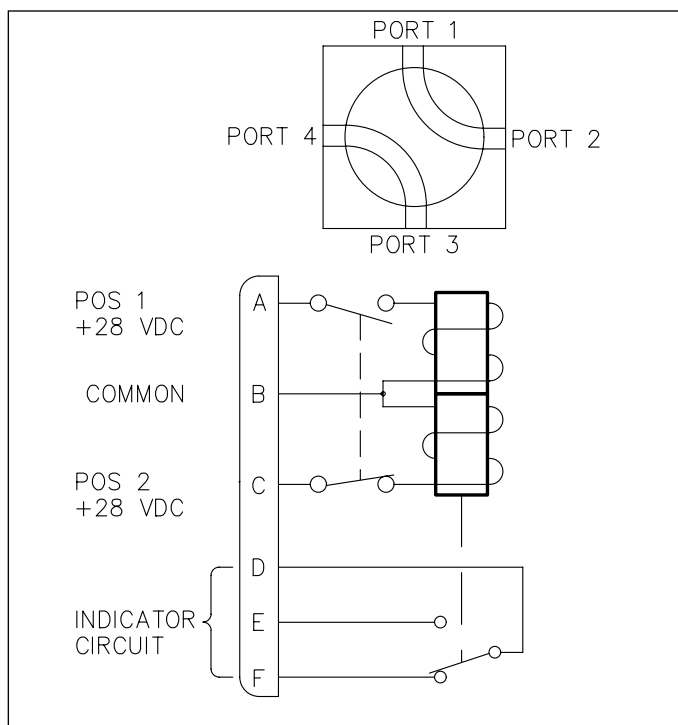
WR62T1- 4321 Shown

Part Number Selector

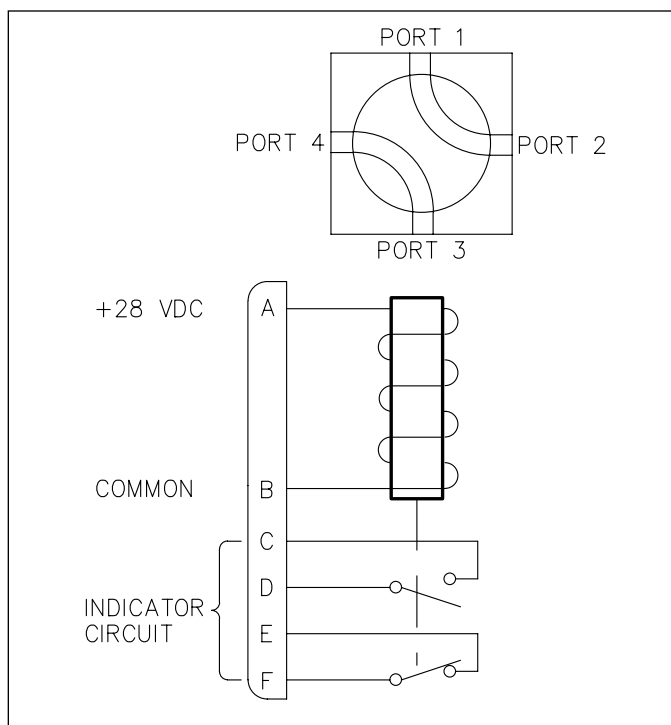


* Check for availability

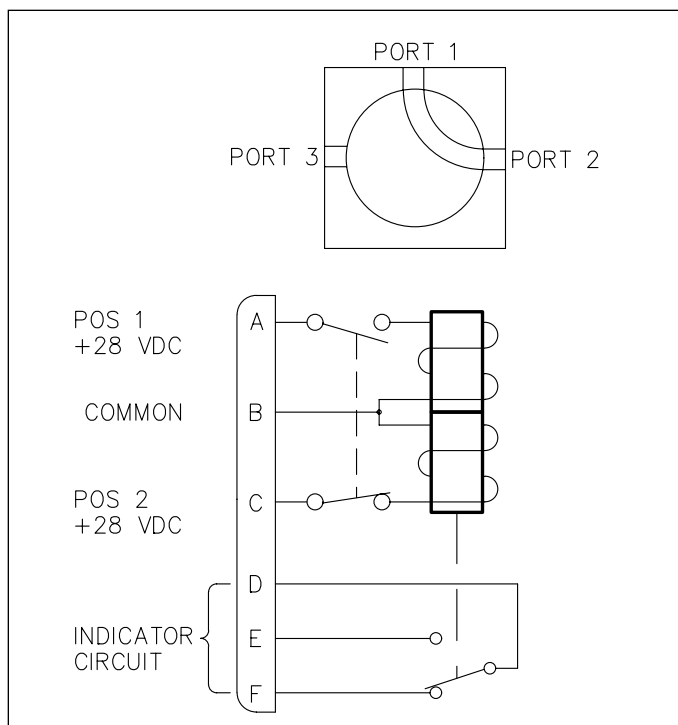
01 Latching DPDT



02 Failsafe DPDT



03 Latching SPDT



04 Failsafe SPDT

