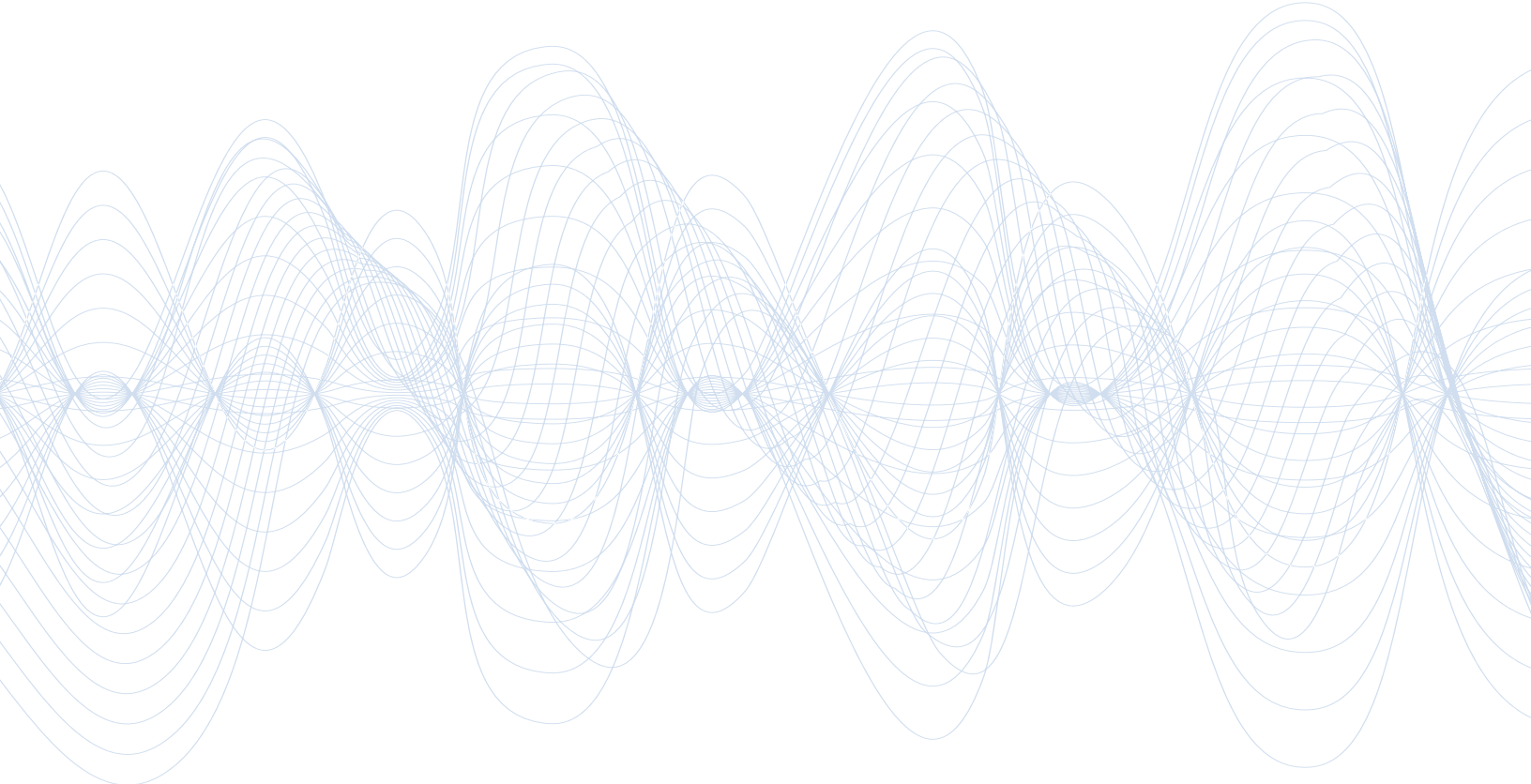


MINIATURE COAXIAL SWITCH





- DC-18 GHz
- VXI/PXI Platform
- 2M Life Cycles

RF Characteristics

Frequency GHz	VSWR (max)	Isolation dB (min)	Ins. Loss dB (max)	RF Power Watts (CW)
DC-4	1.25	70	0.20	100
4-8	1.35	65	0.30	70
8-12	1.40	60	0.40	60
12-18	1.50	60	0.50	45

Note: Consult with factory for higher frequencies

Specifications

Operating Voltage:

24 Vdc (20-28 Vdc)

Coil Current (max. @ nom. Vdc & 25°C):

24 Vdc 150 mA

Switching Time:

20 ms maximum

Operating Temperature:

-25°C to +65°C (Standard)

-55°C to +85°C (Extended "T" Option)

Mechanical Life Cycles:

2,000,000 minimum

Vibration, Operating:

10G RMS, 20-2000 Hz

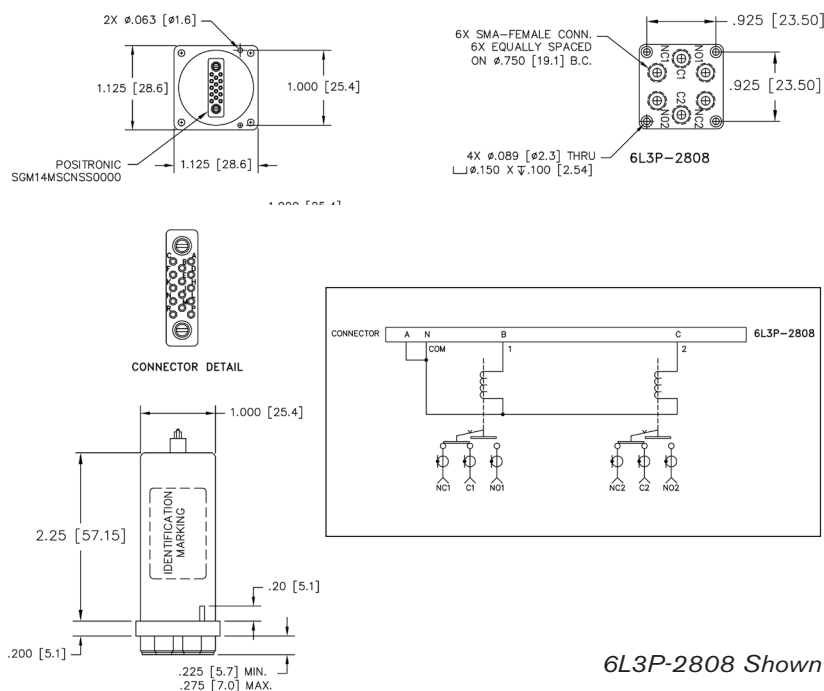
Mechanical Shock, Non-Operating:

50G, 1/2 Sine, 11 ms

Nominal Weight:

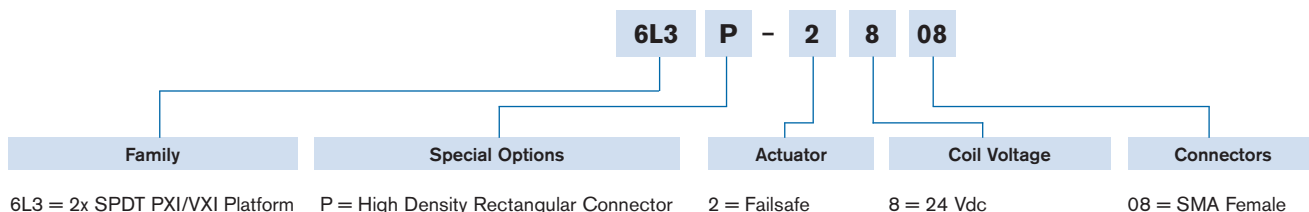
4.0 oz. (113 g.)

Mechanical / Electrical Schematic



6L3P-2808 Shown

Part Number Selector



6L3 = 2x SPDT PXI/VXI Platform

P = High Density Rectangular Connector

2 = Failsafe

8 = 24 Vdc

08 = SMA Female



- DC-18 GHz
- VXI/PXI Platform
- 2M Life Cycles

RF Characteristics

Frequency GHz	VSWR (max)	Isolation dB (min)	Ins. Loss dB (max)	RF Power Watts (CW)
DC-4	1.25	70	0.20	100
4-8	1.35	65	0.30	70
8-12.4	1.40	60	0.40	60
12-18	1.50	60	0.50	45

Note: Consult with factory for higher frequencies

Specifications

Operating Voltage:

24 Vdc (20-28 Vdc)

Coil Current (max. @ nom. Vdc & 25°C):

24 Vdc 300 mA

Switching Time:

20 ms maximum

Operating Temperature:

-25°C to +65°C (Standard)

-55°C to +85°C (Extended "T" Option)

Mechanical Life Cycles:

2,000,000 minimum

Vibration, Operating:

10G RMS, 20-2000 Hz

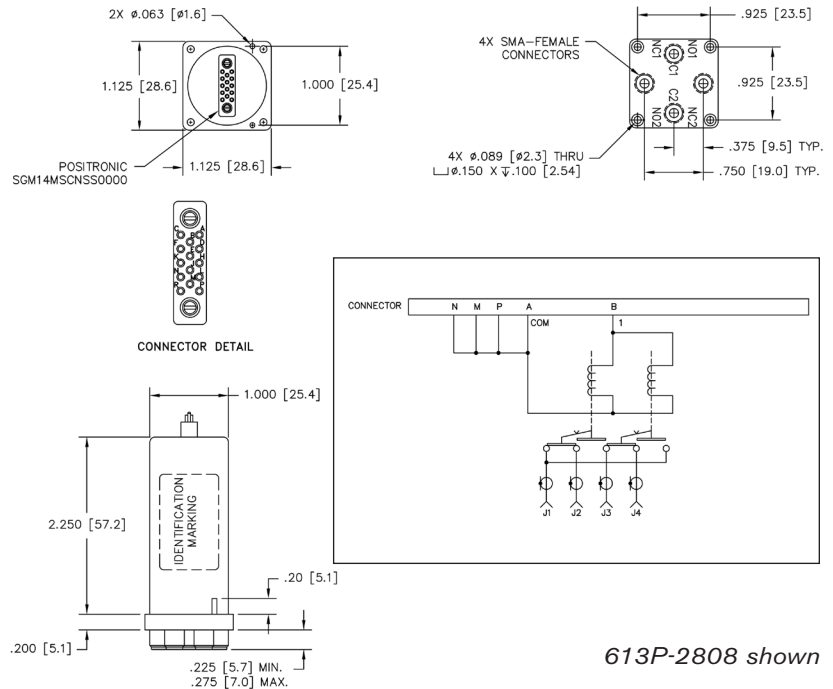
Mechanical Shock, Non-Operating:

50G, 1/2 Sine, 11 ms

Nominal Weight:

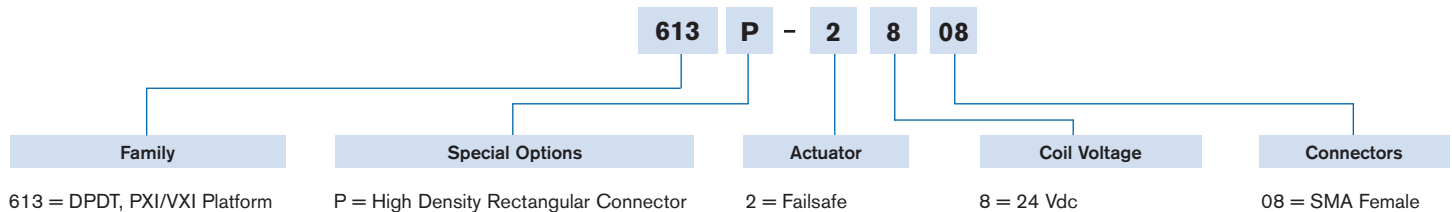
4.0 oz. (113 g.)

Mechanical



613P-2808 shown

Part Number Selector





- DC-18 GHz
- Low Power
- 1M Life Cycles

RF Characteristics

Frequency GHz	VSWR (max)	Isolation dB (min)	Ins. Loss dB (max)	RF Power Watts (CW)
DC-1	1.10	85	0.10	100
1-4	1.20	80	0.20	50
4-8	1.30	70	0.30	35
8-12	1.40	65	0.40	25
12-18	1.50	60	0.50	10

Specifications

Operating Voltage:

24 Vdc (20-28 Vdc)

Coil Current (max. @ nom. Vdc & 25°C)*:

12 Vdc 320 mA

24 Vdc 160 mA

28 Vdc 140 mA

Switching Time:

15 ms maximum

Operating Temperature:

-55 °C to +85°C

Mechanical Life Cycles:

1,000,000 minimum

Vibration, Operating:

10G RMS, 20-2000 Hz

Mechanical Shock, Non-Operating:

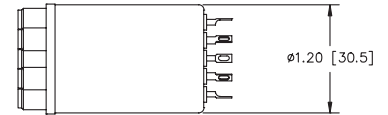
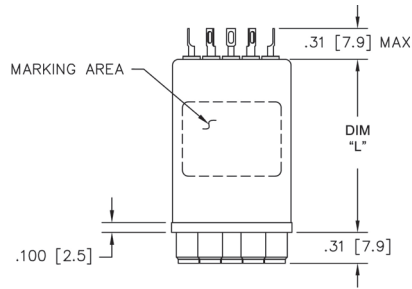
50G, 1/2 Sine, 11 ms

Nominal Weight:

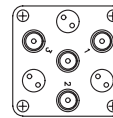
3.0 oz. (85 g.)

* Performance varies depending on selected options.

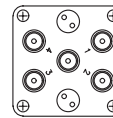
Mechanical



DIM "L" (MAX)	MODEL	ELEC. SCHEM.
1.75 [44.5]	5X7-5X08	1
2.15 [54.6]	5X7-5X0802A	2



3 POSITION

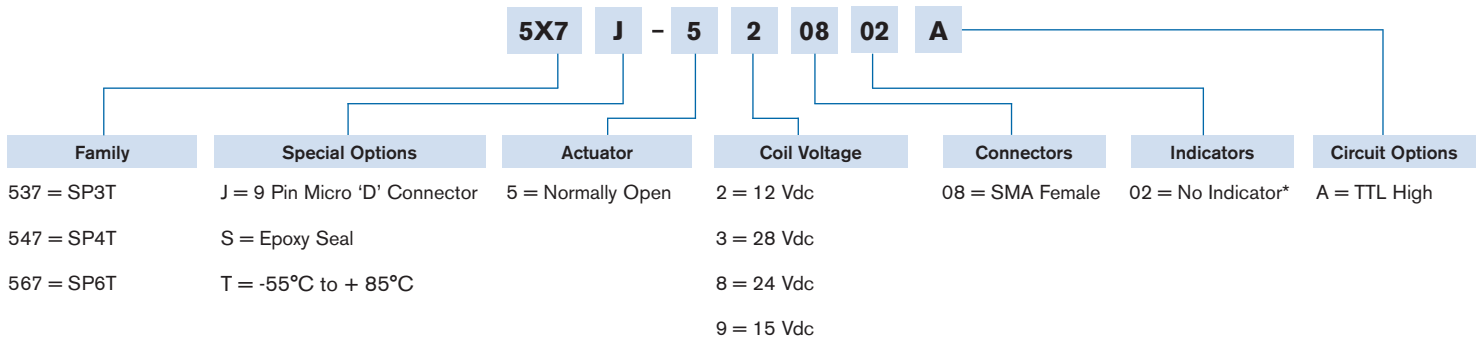


4 POSITION

567-5X08 Shown

For Electrical Schematic, see page # 3-20

Part Number Selector



*Declared only with Circuit Options



- DC-18 GHz
- VXI/PXI Platform
- 2M Life Cycles

RF Characteristics

Frequency GHz	VSWR (max)	Isolation dB (min)	Ins. Loss dB (max)	RF Power Watts (CW)
DC-4	1.25	70	0.20	100
4-8	1.35	65	0.30	70
8-12	1.40	60	0.40	60
12-18	1.50	60	0.50	45

Note: Consult with factory for higher frequencies

Specifications

Operating Voltage:

24 Vdc (20-28 Vdc)

Coil Current (max. @ nom. Vdc & 25°C):

24 Vdc 150 mA

Switching Time:

20 ms maximum

Operating Temperature:

-25°C to +65°C (Standard)

-55°C to +85°C (Extended "T" Option)

Mechanical Life Cycles:

2,000,000 minimum

Vibration, Operating:

10G RMS, 20-2000 Hz

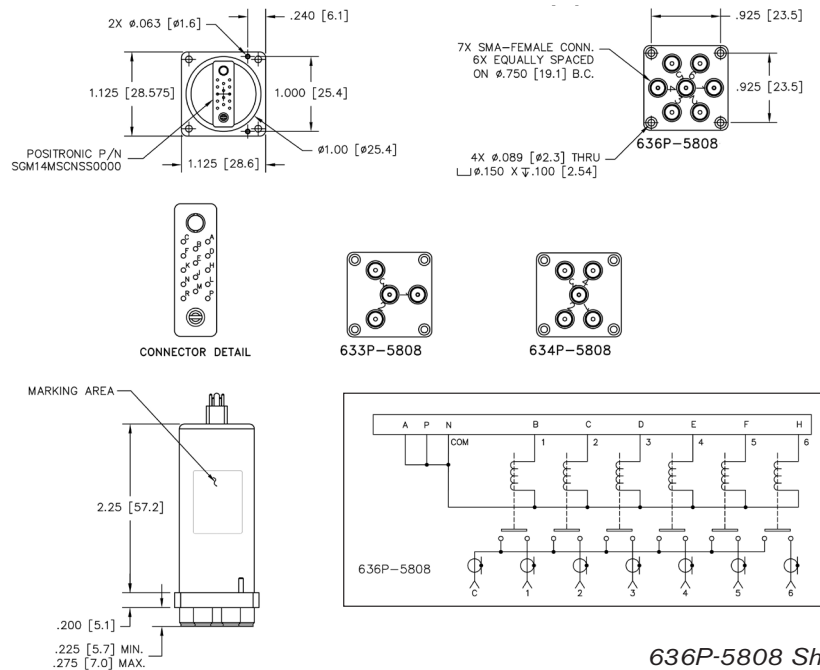
Mechanical Shock, Non-Operating:

50G, 1/2 Sine, 11 ms

Nominal Weight:

4.0 oz. (113 g.)

Mechanical / Electrical Schematic



636P-5808 Shown

Part Number Selector

