

RF Characteristics



| Frequency GHz | VSWR (max) | Isolation dB (min) | Ins. Loss dB (max) |
|---------------|------------|--------------------|--------------------|
| 0-1 | 1.10 | 85 | 0.10 |
| 1-4 | 1.15 | 80 | 0.15 |
| 4-8 | 1.20 | 70 | 0.20 |
| 8-12 | 1.30 | 65 | 0.30 |
| 12-18 | 1.35 | 60 | 0.35 |
| *18-26.5 | 1.50 | 55 | 0.50 |

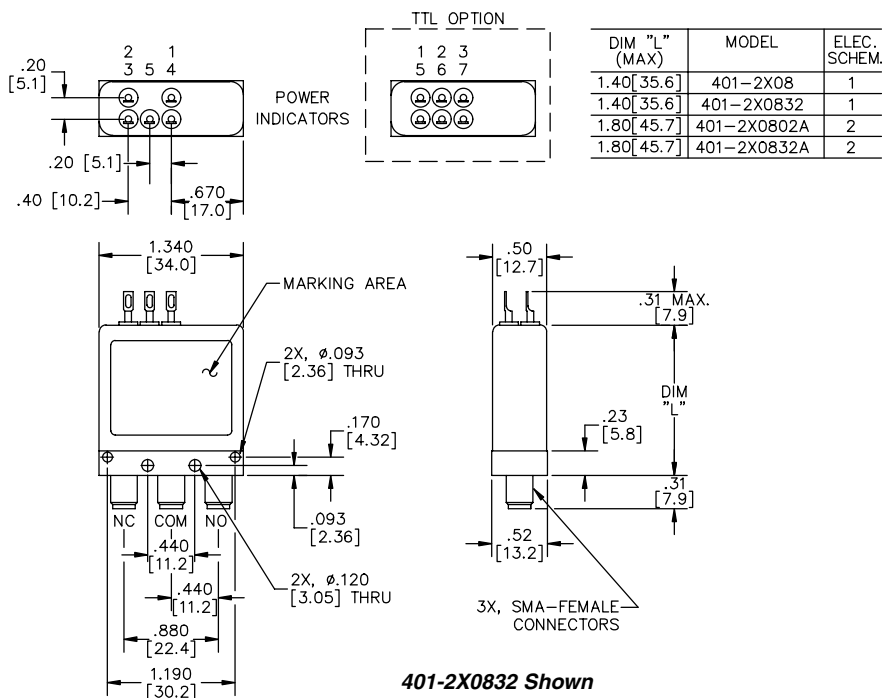
* "K" option only. Ex: 401K-2208
 Note: Typical performance dependent on selected options

401 Series SPDT Failsafe, SMA

Mechanical

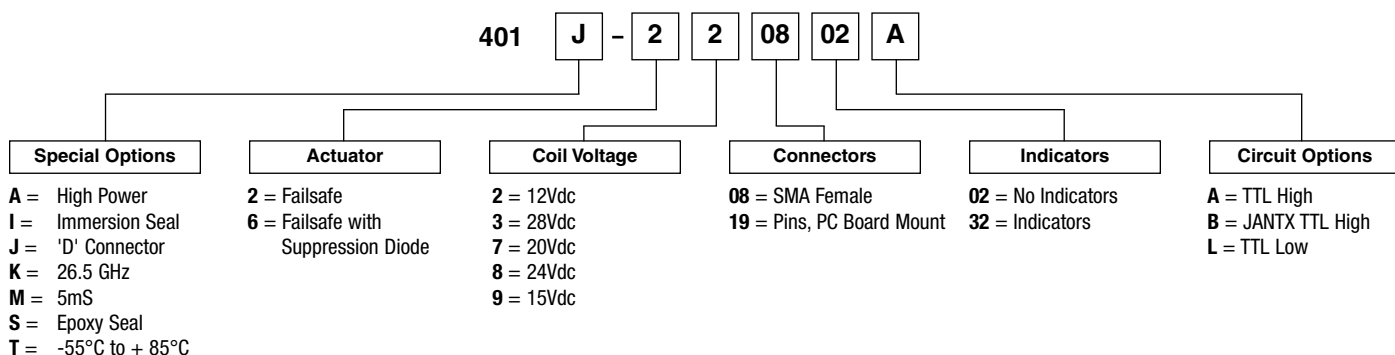
Specifications

- Operating Voltage:**
 (across temperature range)
 12 Vdc (11-14 Vdc)
 28 Vdc (24-32 Vdc)
- Coil Current (max @ nom.Vdc & 20°C):**
 12 Vdc 195 mA
 28 Vdc 95 mA
- Switching Time:**
 15 mS maximum
- Operating Temperature:**
 -25°C to +65°C (Standard)
 -55°C to +85°C (Extended "T" Option)
- Mechanical Life, Cycles:**
 1,000,000 minimum
- Vibration, Operating:**
 10G RMS, 20-2000 Hz
- Mechanical Shock, Non-Operating:**
 50G, 1/2 Sine, 11mS
- Nominal Weight:**
 2.5 oz., (71g.)



Part Number Selection

For Electrical Schematic see page # 1-5



Optional Indicators

Optional Indicators

FAILSAFE TTL - SCH #2

SELF CUTOFF TTL - SCH #5

Optional Indicators

Optional Indicators

Optional Indicators