

**417LP Series Transfer Latching Self Cutoff**

**RF Characteristics**

Frequency MHz	VSWR (max)	Isolation dB (min)	Ins. Loss dB (max)
20-2000	1.5:1	65	0.30

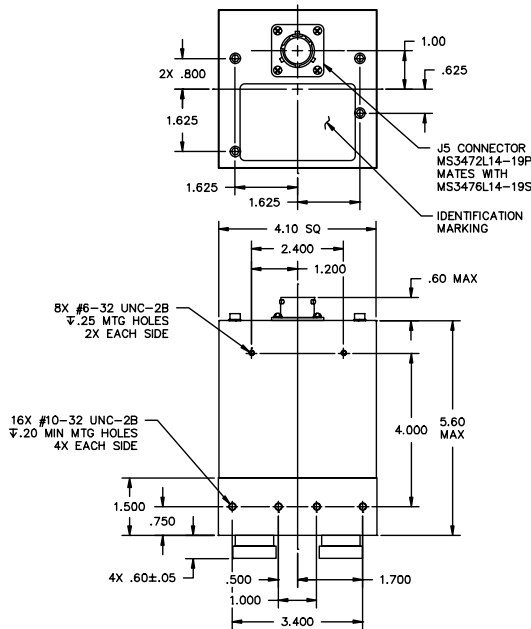
  

RF Power Watts
20-100 100-1200 1200-2000
4Kw Continuous 3Kw Continuous 1Kw Continuous

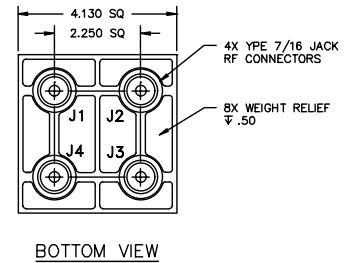
**Specifications**

- Operating Voltage:** (across temperature range)  
28 Vdc (25-31 Vdc)
- Coil Current (max @ nom.Vdc & 20°C):**  
28 Vdc 3 Amps
- Switching Time:**  
500 mS maximum
- Operating Temperature:**  
-40°C to +70°C
- Mechanical Life, Cycles:**  
100,000 minimum
- Vibration, Operating:**  
10 G RMS, 20-2000 Hz
- Mechanical Shock, Non-Operating:**  
50 G, 1/2 Sine, 11 mS
- Nominal Weight:**  
5 lbs.

**Mechanical**

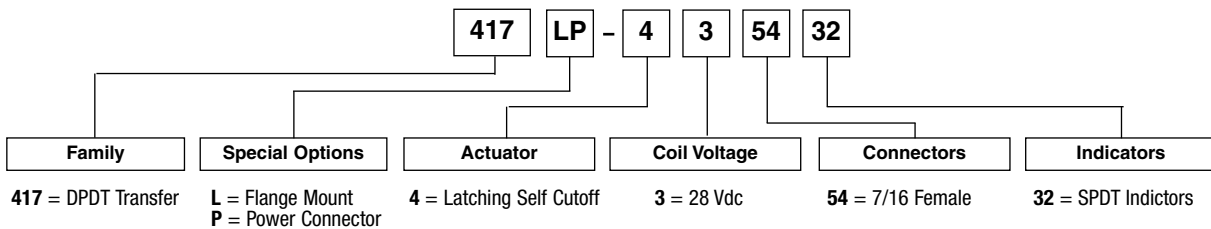


417LP-435432 Shown



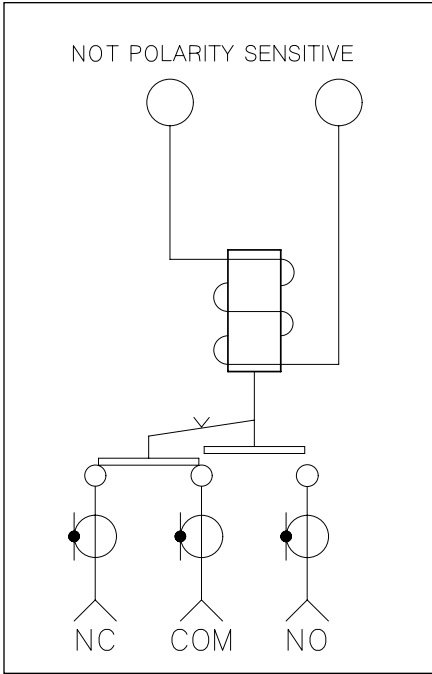
For Electrical Schematic see page # 4-7

**Part Number Selection**

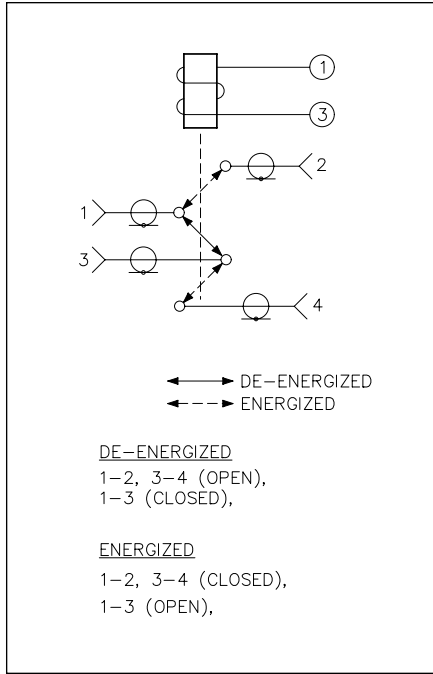




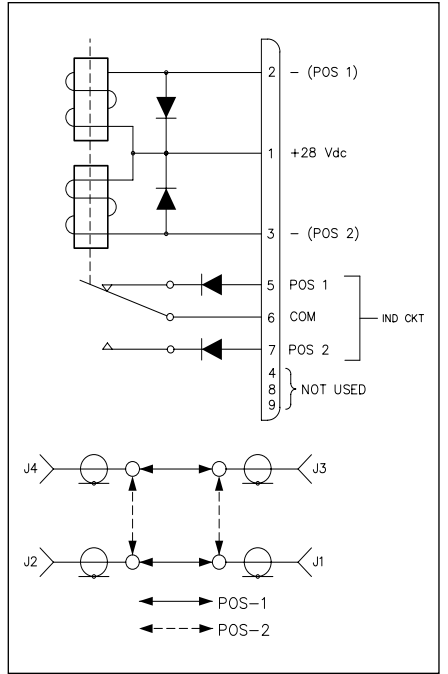
**1 409 Failsafe**



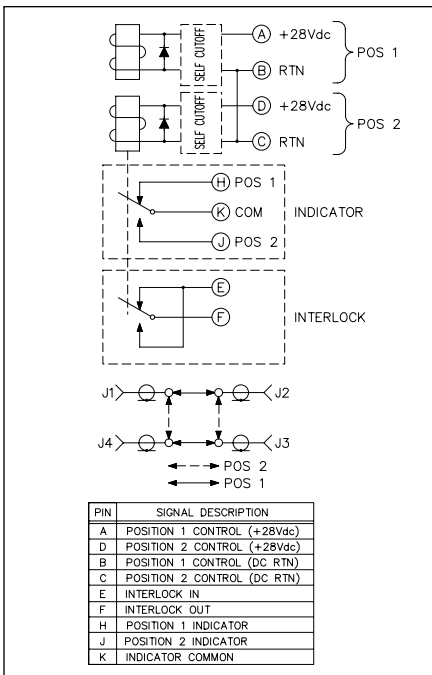
**2 411FL Failsafe**



**3 411JNT Pulse Latching**



**4 417LP Latching**



**5 537-567 N.O.**

