

RF Characteristics



Frequency GHz	VSWR (max)	Isolation dB (min)	Ins. Loss dB (max)
0-1	1.15	85	0.15
1-2	1.20	80	0.20
2-4	1.25	70	0.25
4-8	1.45	60	0.40
8-12.4	1.60	60	0.50

Note: RF characteristics for Type N & TNC female connectors, consult Dow-Key for other connector configurations

412 Series Transfer Failsafe, N

Specifications

Operating Voltage:

(across temperature range)
 12 Vdc (11-14 Vdc)
 28 Vdc (24-32 Vdc)

Coil Current (max @ nom.Vdc & 20°C):

12 Vdc 320 mA
 28 Vdc 185 mA

Switching Time:

20 mS maximum

Operating Temperature:

-25°C to +65°C (Standard)
 -55°C to +85°C (Extended "T" Option)

Mechanical Life, Cycles:

1,000,000 minimum

Vibration, Operating:

10 G RMS, 20-2000 Hz

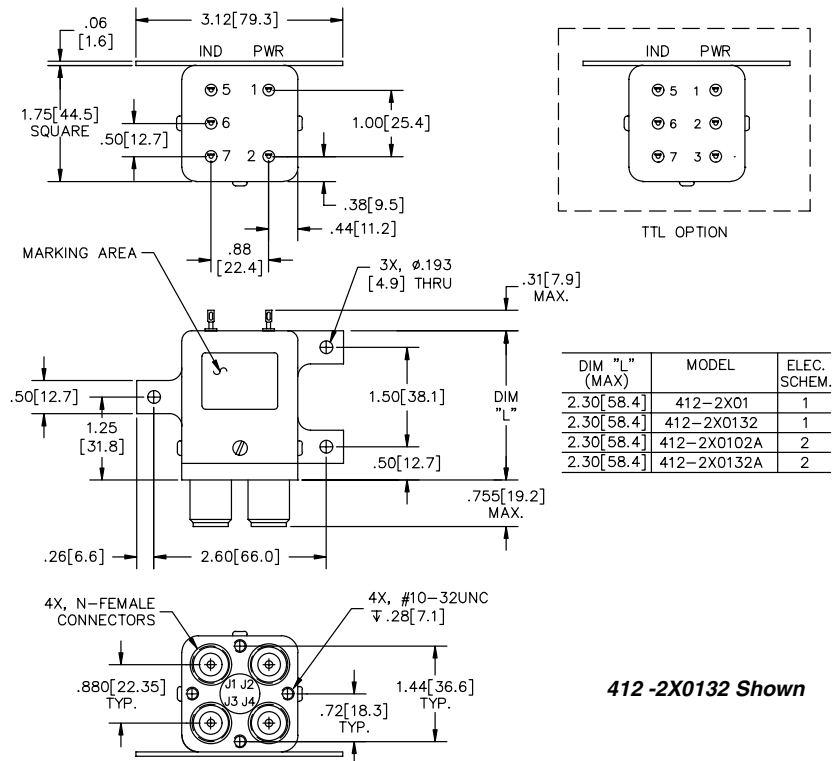
Mechanical Shock, Non-Operating:

30 G, 1/2 Sine, 11 ms

Nominal Weight:

14 oz., (397g.)

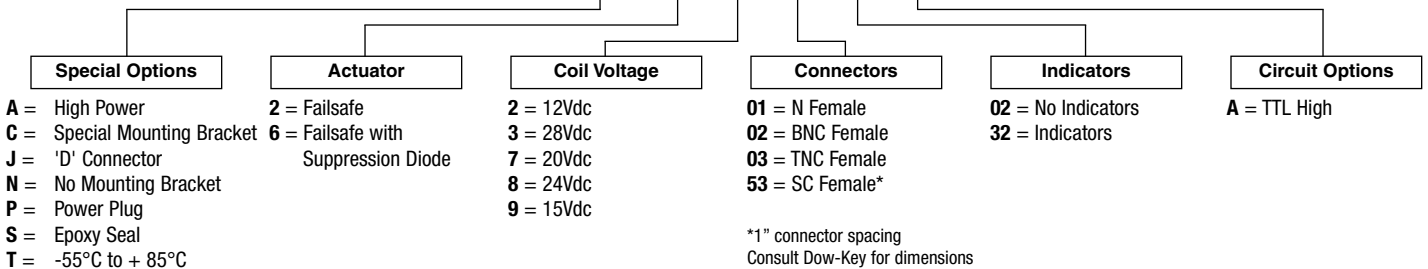
Mechanical



For Electrical Schematic see page # 2-6

Part Number Selection

412 J - 2 2 01 02 A



LOGIC TRUTH TABLE

FAILSAFE TTL - SCH #2

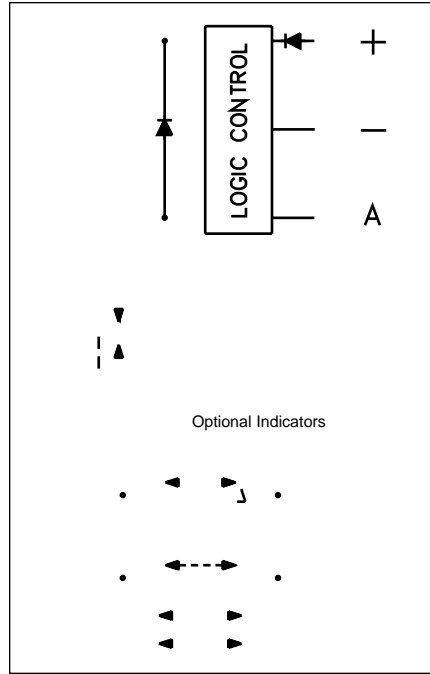
LOGIC TRUTH TABLE		
RF PATH	INDICATOR PATH	LOGIC INPUT "A"
J1-J3/J2-J4	NC-COM	0
J1-J2/J3-J4	NO-COM	1

"0" = 0.0V-0.8V
 "1" = 2.4V-5.5V

SELF CUTOFF TTL - SCH #5

LOGIC TRUTH TABLE			
RF PATH	INDICATOR PATH	LOGIC INPUT "A"	LOGIC INPUT "B"
J1-J3/J2-J4	COM-1	1	0
J1-J2/J3-J4	COM-2	0	1

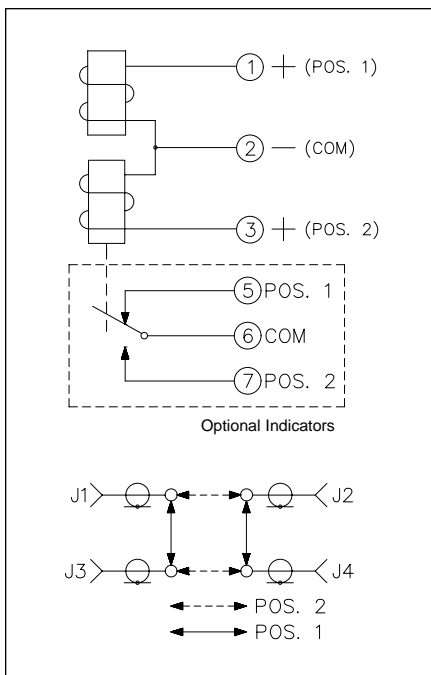
"0" = 0.0V-0.8V
 "1" = 2.4V-5.5V



Optional Indicators

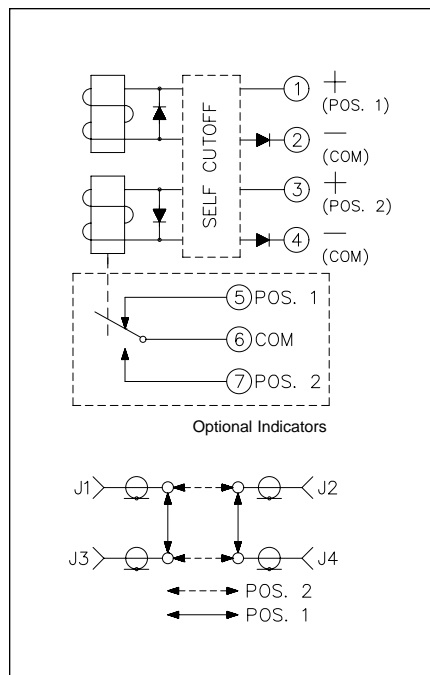
Optional Indicators

411C/412 Pulse Latch



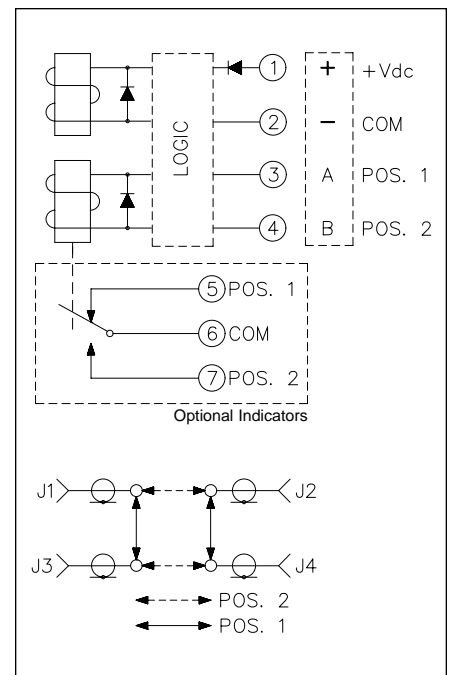
Optional Indicators

411C/412 Self Cutoff



Optional Indicators

411C/412 Self Cutoff TTL



Optional Indicators