



- WRD 750D24
- Double Rigid
- 2K Life Cycles

RF Characteristics

Frequency GHz	VSWR (max)	Isolation dB (min)	Ins. Loss dB (max)
7.5-17.5	1.25	60	0.25

Specifications

Operating Voltage:

28 Vdc (24-30 Vdc)

Coil Current (max. @ nom. Vdc & 20°C):

28 Vdc 1.0 A

Switching Time:

100 ms maximum

Operating Temperature:

-54°C to +84°C

Mechanical Life Cycles:

200,000 minimum

Actuator Data:

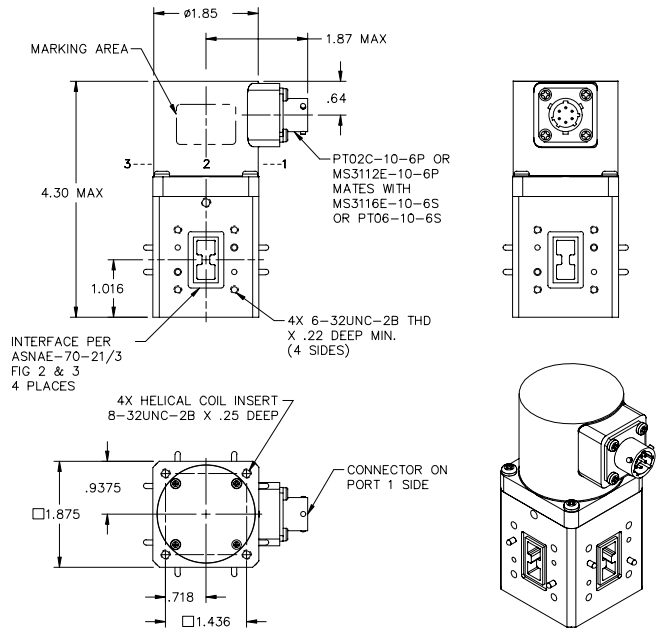
Actuator: Transactor

Duty: Continuous Operation

Weight (max.):

1.3 lbs (590 g.)

Mechanical

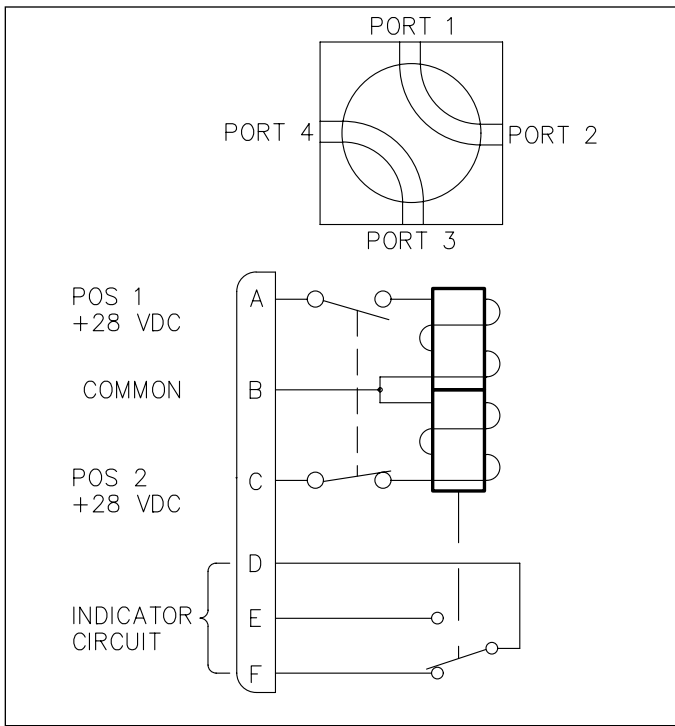


For Electrical Schematic, see page # 5-5

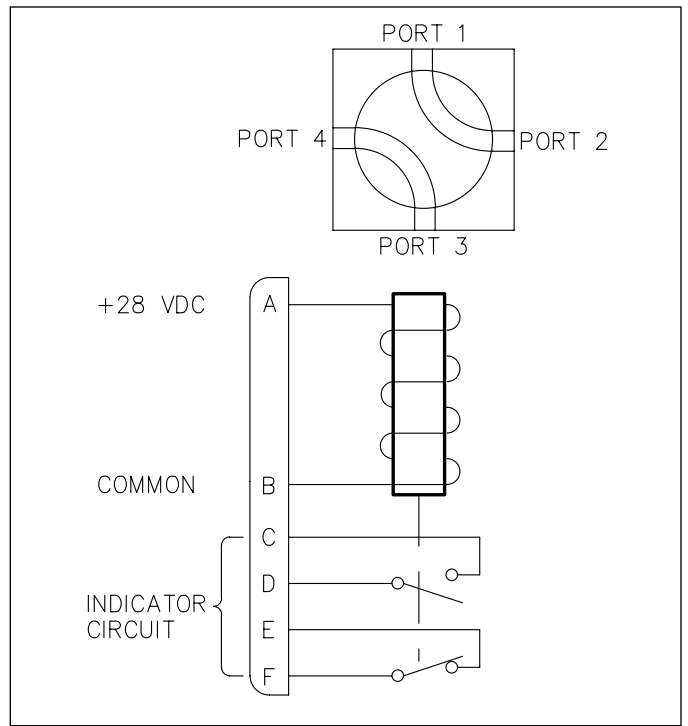
Part Number Selector

Part Number	Part Description	Sch. Dia.
30C01200	Latching, DPDT, Indicator Circuit	1
30C01300	Latching, SPDT, Indicator Circuit	3
30C02000	Failsafe, DPDT, Indicator Circuit	2
30C02000	Failsafe, SPDT, Indicator Circuit	4

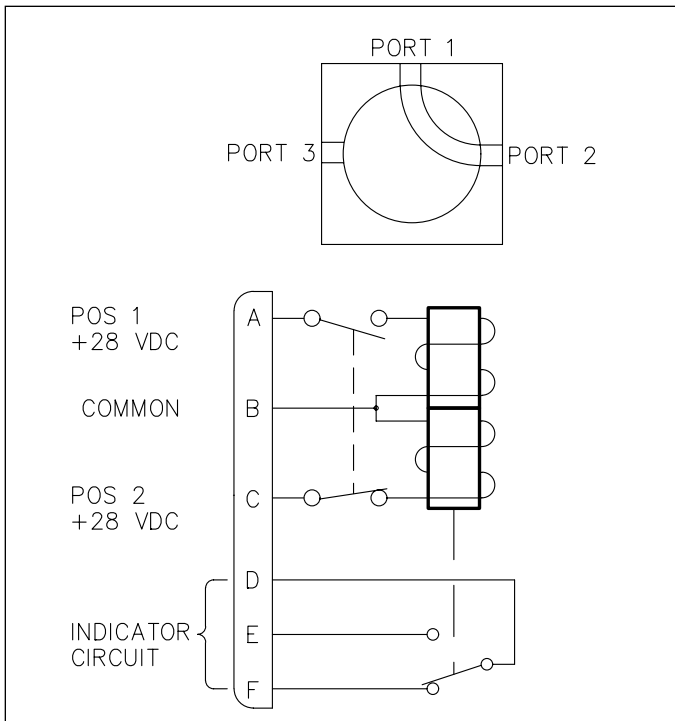
01 Latching DPDT



02 Failsafe DPDT



03 Latching SPDT



04 Failsafe SPDT

