



- WR 62 - WR 112
- 200K Cycles
- Reduced Weight
- Reduced Current Consumption

RF Characteristics

| Frequency GHz | VSWR (max) | Isolation dB (min) | Ins. Loss dB (max) |
|--------------------|------------|--------------------|--------------------|
| WR 62 (12.4-18.0) | 1.10 | 60 | 0.10 |
| WR 75 (10.0-15.0) | 1.15 | 60 | 0.10 |
| WR 90 (8.20-12.40) | 1.15 | 60 | 0.10 |
| WR 112 (7.05-10.0) | 1.10 | 60 | 0.10 |

Specifications

Operating Voltage:

28 Vdc (24-30 Vdc)

Coil Current (max. @ nom. Vdc & 20°C)*:

28 Vdc 350 mA

Switching Time:

100 ms maximum (WR 62 thru WR 90)
200 ms maximum (WR 112)

Operating Temperature:

-54°C to +85°C

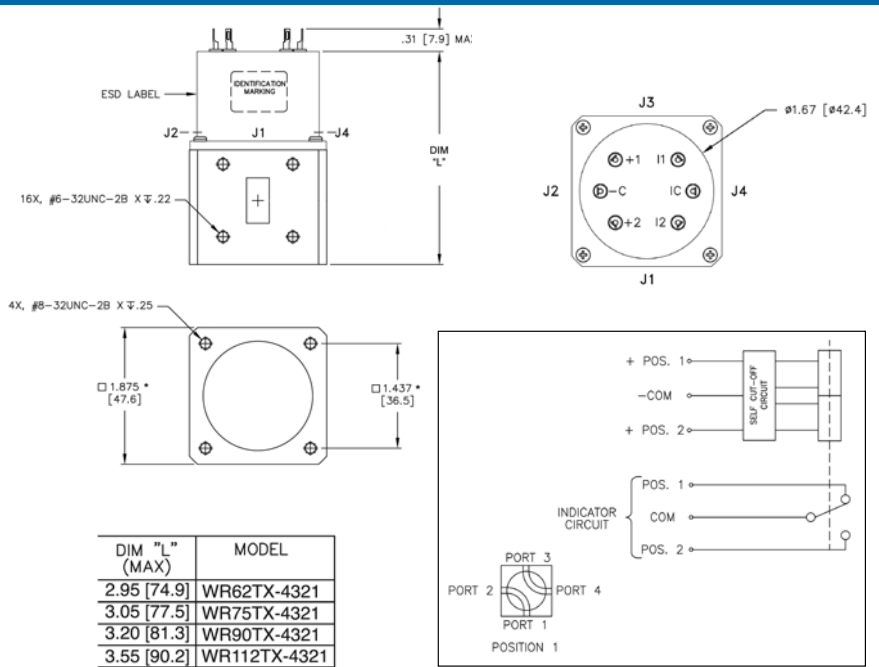
Mechanical Life Cycles:

200,000 minimum

Nominal Weight:

10.58 oz. (300 g.) for WR 62 thru WR 90
17.64 oz. (500 g.) for WR 112

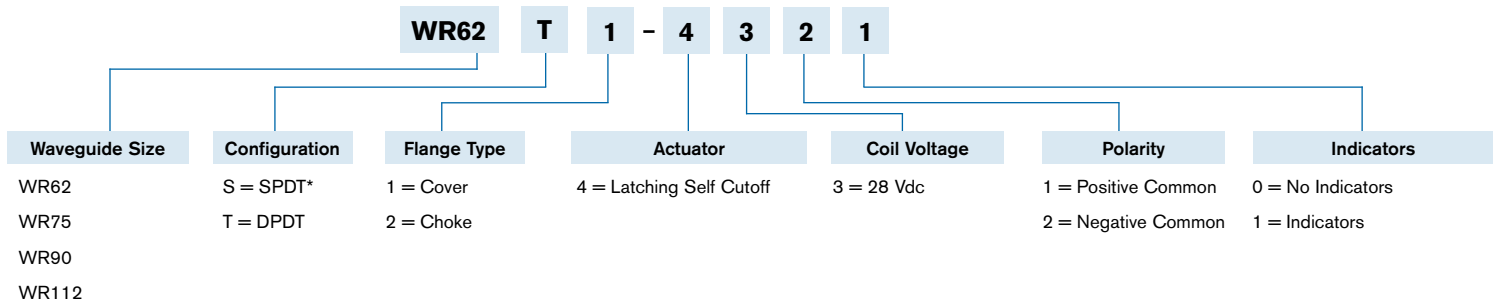
Mechanical / Electrical Schematic



Note: Dimensions are the same for WR 62 thru WR 90 but slightly larger for WR 112.

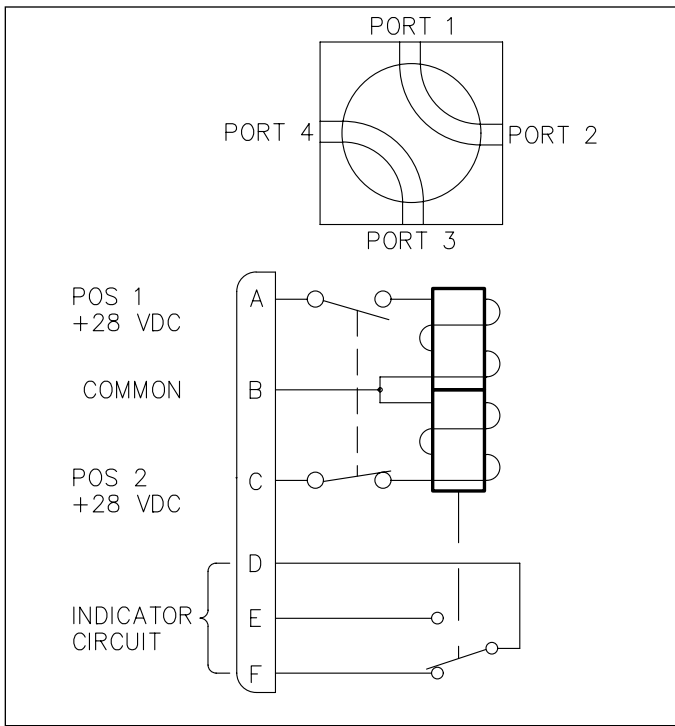
WR62T1- 4321 Shown

Part Number Selector

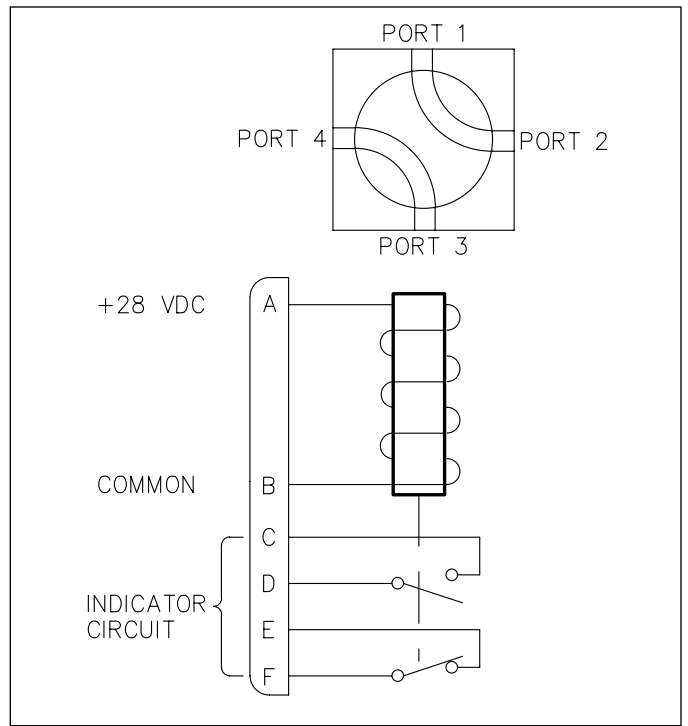


* Check for availability

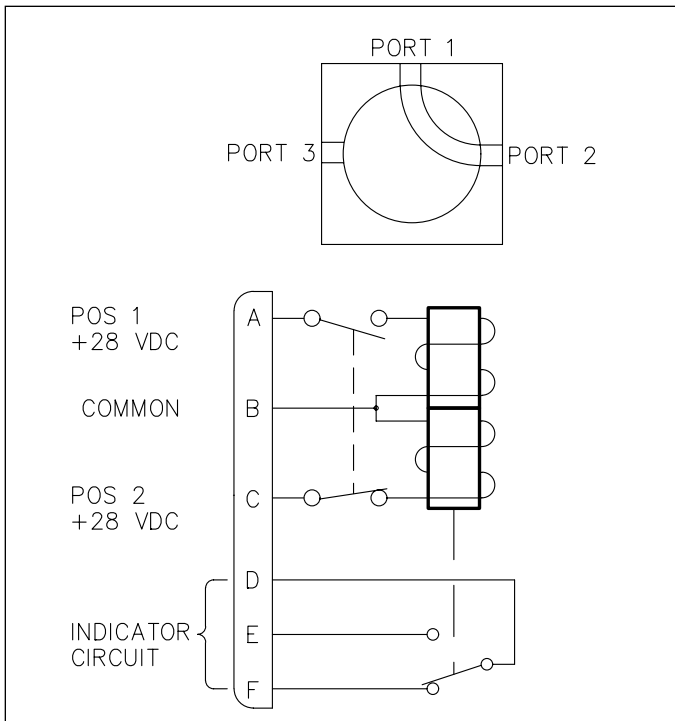
01 Latching DPDT



02 Failsafe DPDT



03 Latching SPDT



04 Failsafe SPDT

